

NOTES

1. STATOR LOCATION DIMENSION IS FROM SLEEVE EDGE (OPPOSITE LEAD END) TO STATOR STEEL 1.03/1.01.
2. STATOR STACK 1 1/4".
3. THRU AIR SPACING BETWEEN WIRE AND METAL .094 MIN.
4. TIE BOLT TORQUE TOLERANCE 13-17 IN. LBS.
5. FOR WASHER SET-UP, SEE CHART C600 0279, DETAIL "A".
6. SALES TO SPECIFY ON P.O. WHICH PACK TO USE.

ECO	REV.	DATE	SPEC/CHECK
632836	0	4-13-04	MKR/MKR
639164	1	3-6-09	MKR/MKR
642644	2	12-6-11	MKR/MKR

71xx xxxx,R

A. SEE PACKAGING MANUAL PAGE 19 FOR PACKAGING PROCEDURES.

1 MOTOR/CARTON;
16 MOTORS/LAYER;
2 LAYERS/PALLET;
32 MOTORS/PALLET.

B. SEE DRAWING 8785 6079 SH. 1 FOR PALLET LAYOUT.

C. CENTER LABEL, 6120 6642, ON END OF CARTON.

D. PLACE PAMPHLET, 6122 4579, IN CARTON WITH MOTOR.

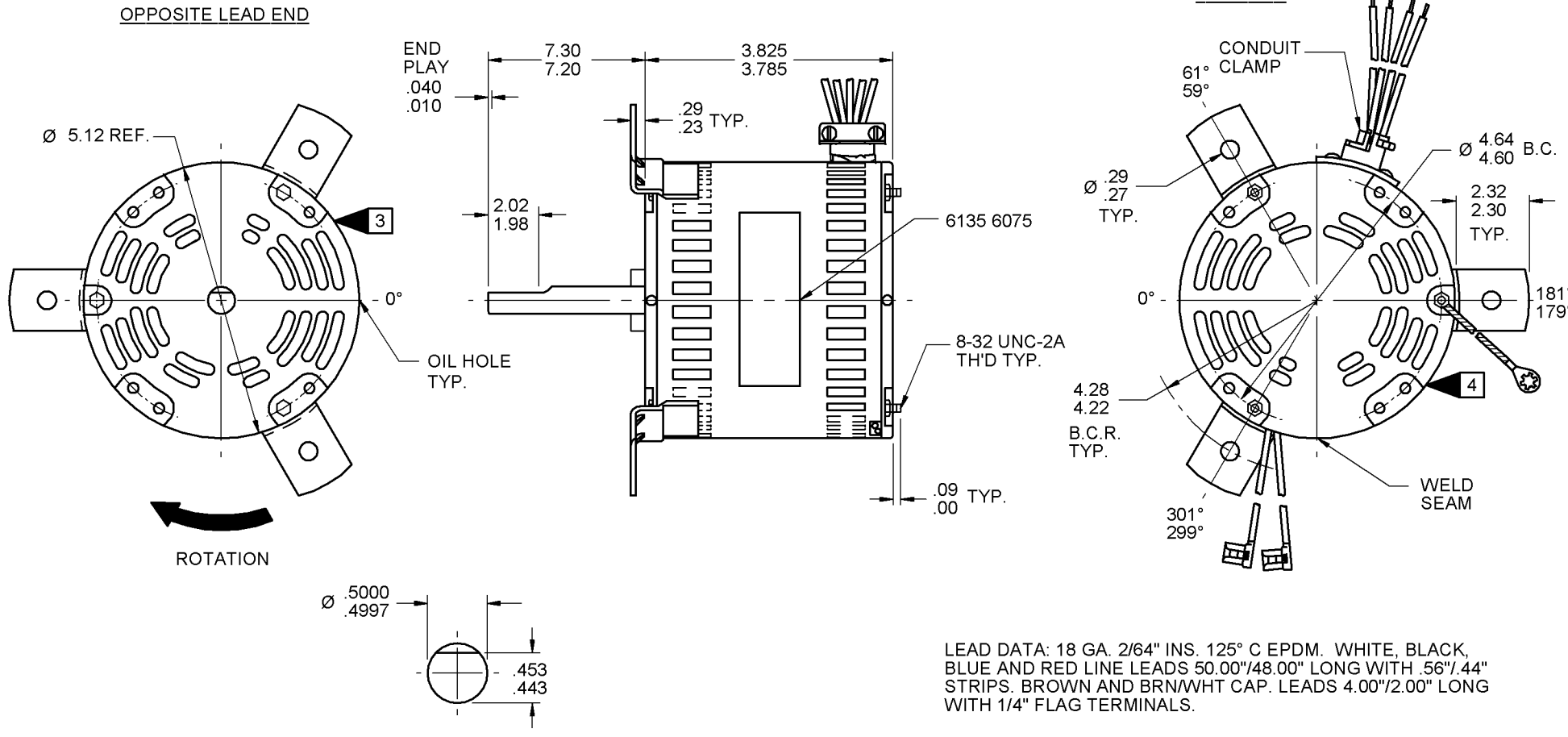
71xx xxxxC

71xx xxxxZ

PRODUCTION TEST AT IDLE 277 VOLTS 60 HZ		MOTOR SPEED	PERFORMANCE TEST 277 VOLTS 60 HZ 1 PH 1/20 HP CAP. 4 MFD 370 VAC											
AMP	WATT		IDLE			LOADED				LOCKED			BREAK	
			RPM	AMP	WATT	OZ/IN	RPM	AMP	WATT	OZ/IN	AMP	WATT	OZ/IN	
.35 — .29	94.6 — 77.4	HIGH	1185	.32	86	75	1075	.49	135	66	.90	252	121	
.15 — .13	42.9 — 35.1	MED.	1181	.14	39	29	1075	.21	59	28	.42	113	51	
.10 — .08	25.3 — 20.7	LOW	1175	.09	23	13	1075	.12	33	13	.24	61	26	

HI-POT TEST 2000 VOLTS
MAX LEAKAGE CURRENT 5 mA

7187 0250 MA



FASCO FASCO INDUSTRIES, INC. MOTOR DIVISION ASSEMBLED IN MEXICO

MODEL D1048

DATE/BAR CODE AREA PER 8882 6003

6135 6075,R REV. 2

CONNECTION DIAGRAM: BRN — CAPACITOR, BRN/WHT — LINE, WH — LINE, BLK-HI — LINE, BLU-MED — LINE, RED-LO — LINE

SAFETY WARNING: THIS MOTOR MUST BE GROUNDED IN ACCORDANCE WITH LOCAL OR NATIONAL ELECTRICAL CODES TO PREVENT POSSIBLE INJURY DUE TO ELECTRICAL SHOCK

SPECIAL INSTRUCTIONS: ROTATE WELD SEAM 90° CWLE, AS SHOWN. SHAFT IS BONDERIZED. ROTOR IS RUSTPROOFED. PAMPHLET PACKED WITH MOTOR.

MOTORS PACKED MAX. PER SKID: ___ PALLET PACK, 32 CARTON PACK, ___ TRAY PACK.

CUSTOMER: FASCO DISTRIBUTING CO.	PROPRIETARY: DO NOT DUPLICATE OR DISCLOSE TO THIRD PARTIES WITHOUT WRITTEN PERMISSION OF FASCO IND. INC., ELDON MO.
PART NUMBER: D1048	FASCO INDUSTRIES, INC. MOTOR DIVISION ELDON PLANT
APPLICATION: DIST. SALES	MOTOR TYPE: P.S.C.
FINISH COLOR: GRAY	MOTOR NUMBER: 7187 0250
MOTOR WEIGHT: 8.9 LBS.	REV. 2
ENVIRONMENT: WET	
INSULATION CLASS: B	

LOCATE ϕ OF NAMEPLATE ON ϕ OF SLEEVE TO READ RIGHT FROM LEAD END OF MOTOR CENTER AT 0°.

SIZE 3.50 X 1.00

If Printed, this is an Uncontrolled Document