

NOTES

1. THRU AIR SPACING BETWEEN WIRE AND METAL .094 MIN.
2. TIE BOLT TORQUE TOLERANCE 7 - 12 IN. LBS.
3. FOR WASHER SET-UP, SEE CHART C600 0279, DETAIL "A".
4. SALES TO SPECIFY ON P.O. WHICH PACK TO USE.

ECO	REV.	DATE	SPEC/CHECK
632345	5	1-20-04	LDC/LDC
638737	6	10-20-08	GAE/GAE
639703	7	5-18-09	LDC/LDC
642604	8	11-23-11	GAE/GAE

71xx xxx,R  
71xx xxxC  
71xx xxxZ

A. SEE PACKAGING MANUAL PAGE 2 FOR PACKAGING PROCEDURES.

1 MOTOR/CARTON;  
24 MOTORS/LAYER;  
6 LAYERS/PALLET;  
144 MOTORS/PALLET.

B. SEE DRAWING 8785 6079 SH. 1 FOR PALLET LAYOUT.

C. CENTER LABEL, 6119 6166, ON END OF CARTON.

D. PLACE PAMPHLET, 6122 4579, IN CARTON WITH MOTOR.

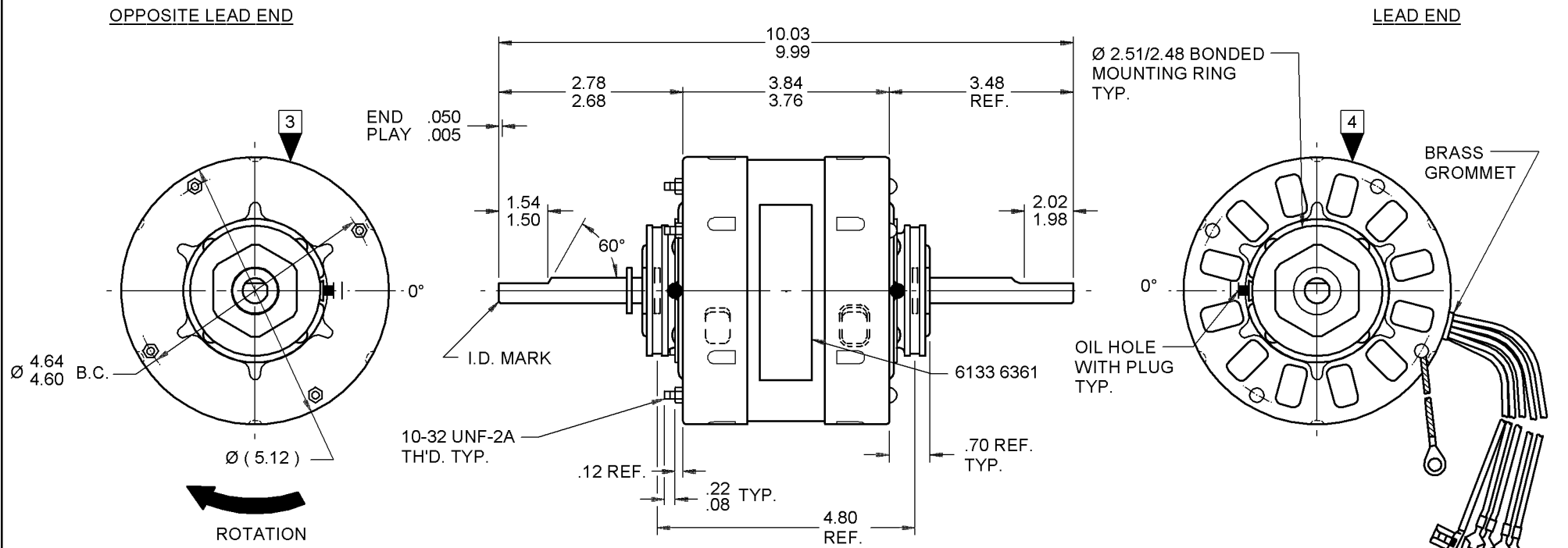
If Printed, this is an Uncontrolled Document

PRODUCTION TEST AT IDLE 230 VOLTS 60 HZ		MOTOR SPEED	PERFORMANCE TEST 230 VOLTS 60 HZ 1 PH 1/5 HP CAP. 5 MFD 370 VAC										
AMP	WATT		IDLE			LOADED				LOCKED			BREAK
			RPM	AMP	WATT	OZ/IN	RPM	AMP	WATT	OZ/IN	AMP	WATT	OZ/IN
.61 — .50	121.0 — 99.0	HIGH	1783	.55	110	190	1400	1.61	368	88	2.24	484	192
.51 — .41	100.1 — 81.9	MED.	1781	.46	91	145	1200 *	1.49	329	67	1.82	383	149
.43 — .35	84.7 — 69.3	LOW	1780	.39	77	115	1050 *	1.34	288	54	1.52	315	123

HI-POT TEST 2000 VOLTS  
MAX LEAKAGE CURRENT 5 mA

\* BELOW BREAK

7184 0008 MA



LEAD DATA: 18 GA. 4/64" INS. 105° C THERMO. WHITE, BLACK, ORANGE AND RED LINE LEADS WITH 1/4" IN-LINE Q.C. TERMINALS. BLUE CAP. LEAD WITH A 1/4" FLAG TERMINAL. ALL 36.00"/34.00" LONG.

GROUND LEAD DATA: 18 GA. 2/64" INS. 105° C THERMO. GRN/YEL 10.50"/9.50" LONG WITH A 1/4" SMOOTH RING TERMINAL.

SPECIAL INSTRUCTIONS: SHAFT IS BONDERIZED. ROTOR IS RUSTPROOFED. FLATS TO BE PARALLEL WITHIN ± 20°. PAMPHLET PACKED WITH MOTOR.

MOTORS PACKED MAX. PER SKID: ___ PALLET PACK, 144 CARTON PACK, ___ TRAY PACK.	
CUSTOMER:	PROPRIETARY: DO NOT DUPLICATE OR DISCLOSE TO THIRD PARTIES WITHOUT WRITTEN PERMISSION OF FASCO IND. INC., ELDON MO.
FASCO DISTRIBUTING CO.	FASCO INDUSTRIES, INC. MOTOR DIVISION ELDON PLANT
PART NUMBER: D1033	MOTOR TYPE P.S.C.
APPLICATION: DIST. SALES	MOTOR NUMBER 7184 0008 R
FINISH COLOR: GRAY	REV. 8
MOTOR WEIGHT: 10.56 LBS.	
ENVIRONMENT: WET	
INSULATION CLASS: B	

**FASCO** FASCO INDUSTRIES, INC. MOTOR DIVISION ASSEMBLED IN MEXICO

V. 208/230 HZ 60 PH 1 ROT ←  
HP 1/5 INS CL B CAP 5 MFD 370 VAC  
AMP 1.6 40° C AMB TYPE U184B1  
RPM 1400/1200/1050 AO NO. 7184-0008

**MODEL D1033**

THERMALLY PROTECTED CONNECTION DIAGRAM  
BLUE ——— CAPACITOR LINE  
WHITE-COMM. ——— LINE  
BLACK-HI ——— LINE  
ORANGE-MED ——— LINE  
RED-LO ——— LINE

SAFETY WARNING  
THIS MOTOR MUST BE GROUNDED IN ACCORDANCE WITH LOCAL OR NATIONAL ELECTRICAL CODES TO PREVENT POSSIBLE INJURY DUE TO ELECTRICAL SHOCK

DATE/BAR CODE AREA PER 8882 6003

6133 6361,R REV. 4

LOCATE Ø OF NAMEPLATE ON Ø OF STATOR TO READ RIGHT FROM LEAD END OF MOTOR CENTER AT 0°.

SIZE 3.50 X 1.00

8882 6003 1