

- NOTES
1. THRU AIR SPACING BETWEEN WIRE AND METAL .094 MIN.
 2. TIE BOLT TORQUE TOLERANCE 7-12 IN. LBS.
 3. FOR WASHER SET-UP, SEE CHART C600 0279, DETAIL "A".
 4. SALES TO SPECIFY ON P.O. WHICH PACK TO USE.

ECO	REV.	DATE	SPEC/CHECK
632346	5	1-20-04	MKR/MKR
632981	6	5-10-04	GAE/RWS
638758	7	10-27-08	GAE/GAE
640253	8	08-05-09	GAE/GAE

A. SEE PACKAGING MANUAL PAGE 19 FOR PACKAGING PROCEDURES.

1 MOTORS/CARTON;
16 MOTORS/LAYER;
3 LAYERS/PALLET;
48 MOTORS/PALLET.

B. SEE DRAWING 8785 6079 SH. 3 FOR PALLET LAYOUT.

C. CENTER LABEL, 6119 6159, ON END OF CARTON.

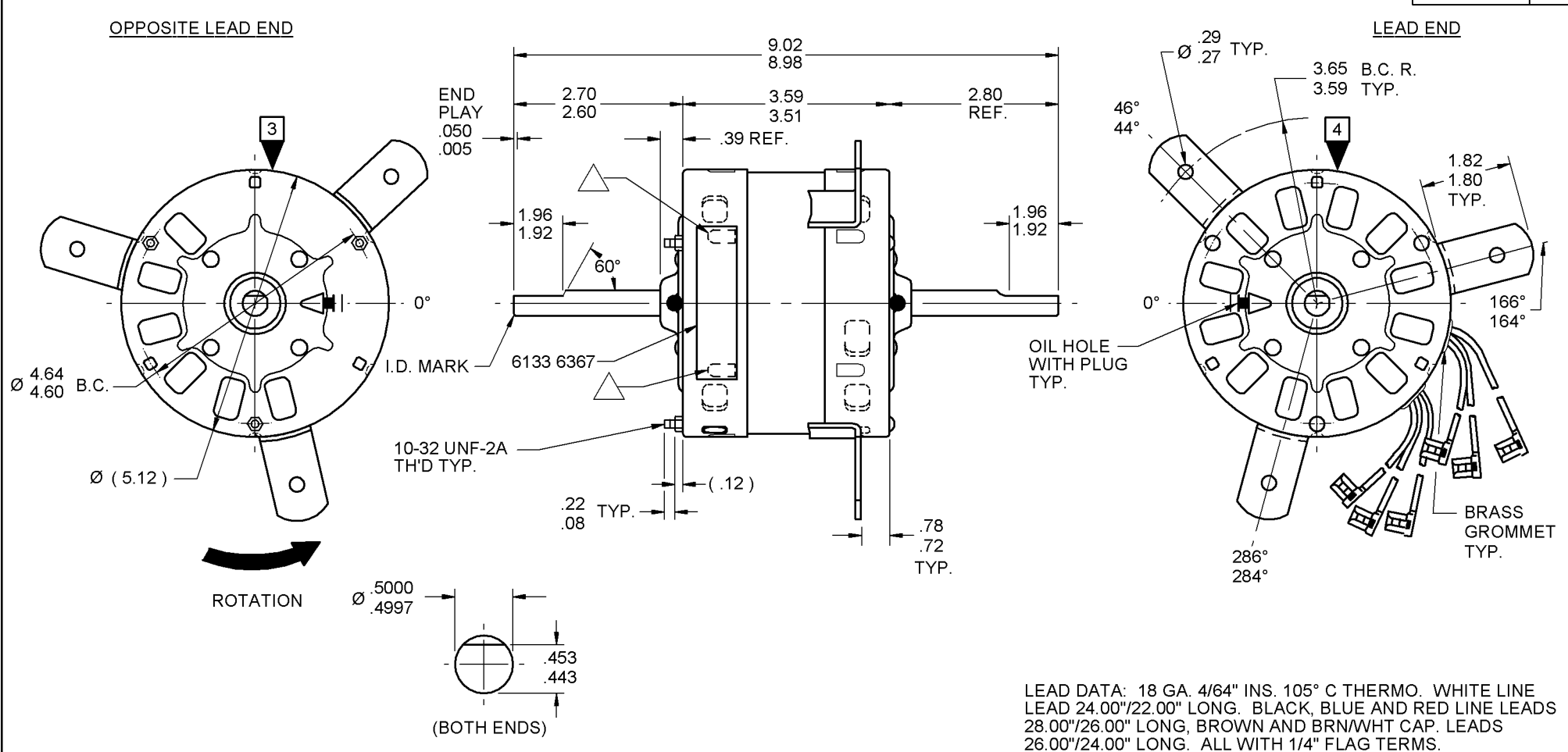
D. PLACE PAMPHLET, 6122 4579, IN CARTON WITH MOTOR.

If Printed, this is an Uncontrolled Document

PRODUCTION TEST AT IDLE 230 VOLTS 60 HZ		MOTOR SPEED	PERFORMANCE TEST 230 VOLTS 60 HZ 1 PH 1/5 HP CAP. 5 MFD 370 VAC										
AMP	WATT		IDLE			LOADED				LOCKED			BREAK
			RPM	AMP	WATT	OZ/IN	RPM	AMP	WATT	OZ/IN	AMP	WATT	OZ/IN
.95 — .77	137.5 — 112.5	HIGH	1195	.86	125	195	1110	1.28	275	81	2.57	548	268
.39 — .32	66.0 — 54.0	MED.	1193	.35	60	149	1020	1.00	210	45	1.62	314	154
.28 — .23	48.4 — 39.6	LOW	1192	.25	44	114	940	.88	178	32	1.23	226	114

HI-POT TEST 2000 VOLTS
MAX LEAKAGE CURRENT 5 mA

7186 0014 MA



7186 0014 = MADE IN U.S.A.
7186 0014R = ASSEMBLED IN MEXICO

FASCO FASCO INDUSTRIES, INC. MOTOR DIVISION

MODEL D1022

V. 208/230 HZ 60 PH 1 INS CL B ROT
AMP 1.6-1.1-1.0 HP 1/5-1/6-1/8 AO
RPM 1110-1020-940 CAP 5 MFD 370 VAC
NO. 7186-0014 40° C AMB TYPE U186B1

SAFETY WARNING
THIS MOTOR MUST BE GROUNDED IN ACCORDANCE WITH LOCAL OR NATIONAL ELECTRICAL CODES TO PREVENT POSSIBLE INJURY DUE TO ELECTRICAL SHOCK

DATE/BAR CODE AREA PER 8882 6003

6133 6367,R REV. 3

SPECIAL INSTRUCTIONS: SHAFT IS BONDERIZED. ROTOR IS RUSTPROOFED.

FLATS TO BE PARALLEL WITHIN ±20°. LANCES MUST BE COMPLETELY COVERED BY NAMEPLATE. PAMPHLET PACKED WITH MOTOR.

MOTORS PACKED MAX. PER SKID: ___ PALLET PACK, 48 CARTON PACK, ___ TRAY PACK.

CUSTOMER: FASCO DISTRIBUTING CO.

PART NUMBER: D1022

APPLICATION: DIST. SALES

FINISH COLOR: GRAY

MOTOR WEIGHT: 9.25 LBS.

ENVIRONMENT: WET

INSULATION CLASS: B

MOTOR TYPE: P.S.C.

MOTOR NUMBER: 7186 0014 R

REV. 8

B	LA	FR	A	S	C	E	B	A
00	86	13	V	05	AF	7	7	0

LOCATE NAMEPLATE .05 FROM EDGE OF OPPOSITE LEAD END COVER TO READ RIGHT FROM LEAD END OF MOTOR CENTER AT 0°.

SIZE 3.50 X 1.00