

NOTES:

1. THRU AIR SPACING BETWEEN WIRE AND METAL .094 MIN.
2. TIE BOLT TORQUE TOLERANCE 7 - 12 IN. LBS.
3. FOR WASHER SET-UP, SEE CHART C600 0279, DETAIL "H".
4. SALES TO SPECIFY ON P.O. WHICH PACK TO USE.

ECO	REV.	DATE	SPEC/CHECK
635126	5	9-29-05	GAE/GAE
638828	6	11-17-08	GAE/GAE
639165	7	3-9-09	MKR/MKR
641572	8	09-16-10	GAE/GAE

A. SEE PACKAGING MANUAL PAGE 2 FOR PACKAGING PROCEDURES.

1 MOTOR/CARTON;  
32 MOTORS/LAYER;  
6 LAYERS/PALLET;  
192 MOTORS/PALLET.

B. SEE DRAWING 8785 6079 SH. 1 FOR PALLET LAYOUT.  
C. CENTER LABEL, 6119 6109, ON END OF CARTON.  
D. PLACE PAMPHLET, 6122 4579, IN CARTON WITH MOTOR.

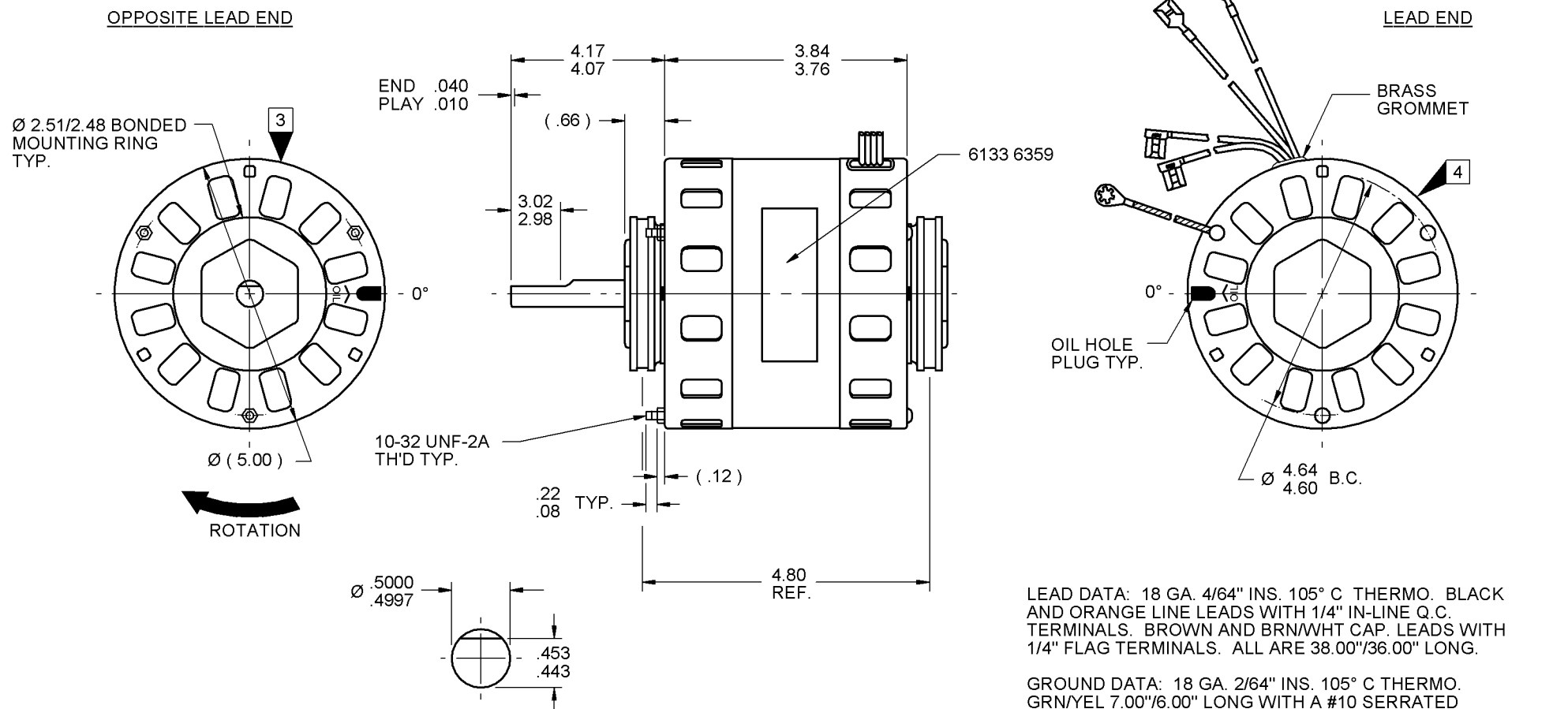
71xx xxxx,R

71xx xxxxC

PRODUCTION TEST AT IDLE 230 VOLTS 60 HZ		MOTOR SPEED	PERFORMANCE TEST 230 VOLTS 60 HZ 1 PH 1/4 HP CAP. 5 MFD 370 VAC											
AMP	WATT		IDLE				LOADED				LOCKED			BREAK
			RPM	AMP	WATT	OZ/IN	RPM	AMP	WATT	OZ/IN	AMP	WATT	OZ/IN	
.87	— .71	102.3 — 83.7	HIGH	1196	.79	93	244	1100	1.50	312	82	3.16	630	311

HI-POT TEST 2000 VOLTS  
MAX LEAKAGE CURRENT 5 mA

7186 0028 MA



7186 0028 = MADE IN U.S.A.  
7186 0028R = ASSEMBLED IN MEXICO

**FASCO** FASCO INDUSTRIES, INC. MOTOR DIVISION

**MODEL D1016**

V. 230 HZ 60 PH 1 AO ROT  
HP 1/4 INS CL B TYPE U186B1  
NO. 7186-0028 CAP 5 MFD 370 VAC  
AMP 1.6 40°C AMB RPM 1100

CONNECTION DIAGRAM  
BROWN — CAPACITOR  
BRN/WHT —  
ORANGE — LINE  
BLACK — LINE

DATE/BAR CODE AREA PER 8882 6003

6133 6359,R REV. 4

LOCATE  $\phi$  OF NAMEPLATE ON  $\phi$  OF STATOR TO READ RIGHT FROM LEAD END OF MOTOR CENTER AT 0°.

SIZE 3.50 X 1.00

SPECIAL INSTRUCTIONS: SHAFT IS BONDERIZED. ROTOR IS RUSTPROOFED.			
PAMPHLET PACKED WITH MOTOR.			
MOTORS PACKED MAX. PER SKID: ___ PALLET PACK, 192 CARTON PACK.			
CUSTOMER: FASCO DISTRIBUTING CO.	PROPRIETARY: DO NOT DUPLICATE OR DISCLOSE TO THIRD PARTIES WITHOUT WRITTEN PERMISSION OF FASCO IND. INC., ELDON MO.		
PART NUMBER: D1016	FASCO INDUSTRIES, INC. MOTOR DIVISION ELDON PLANT		
APPLICATION: DIST. SALES	MOTOR TYPE	MOTOR NUMBER	
FINISH COLOR: GRAY	P.S.C.	7186 0028	
MOTOR WEIGHT: 8.95 LBS.	B LA FR A S C E B A	R	
ENVIRONMENT: WET	00 86 11 V 06 AA 5 7 0	8	
INSULATION CLASS: B			