

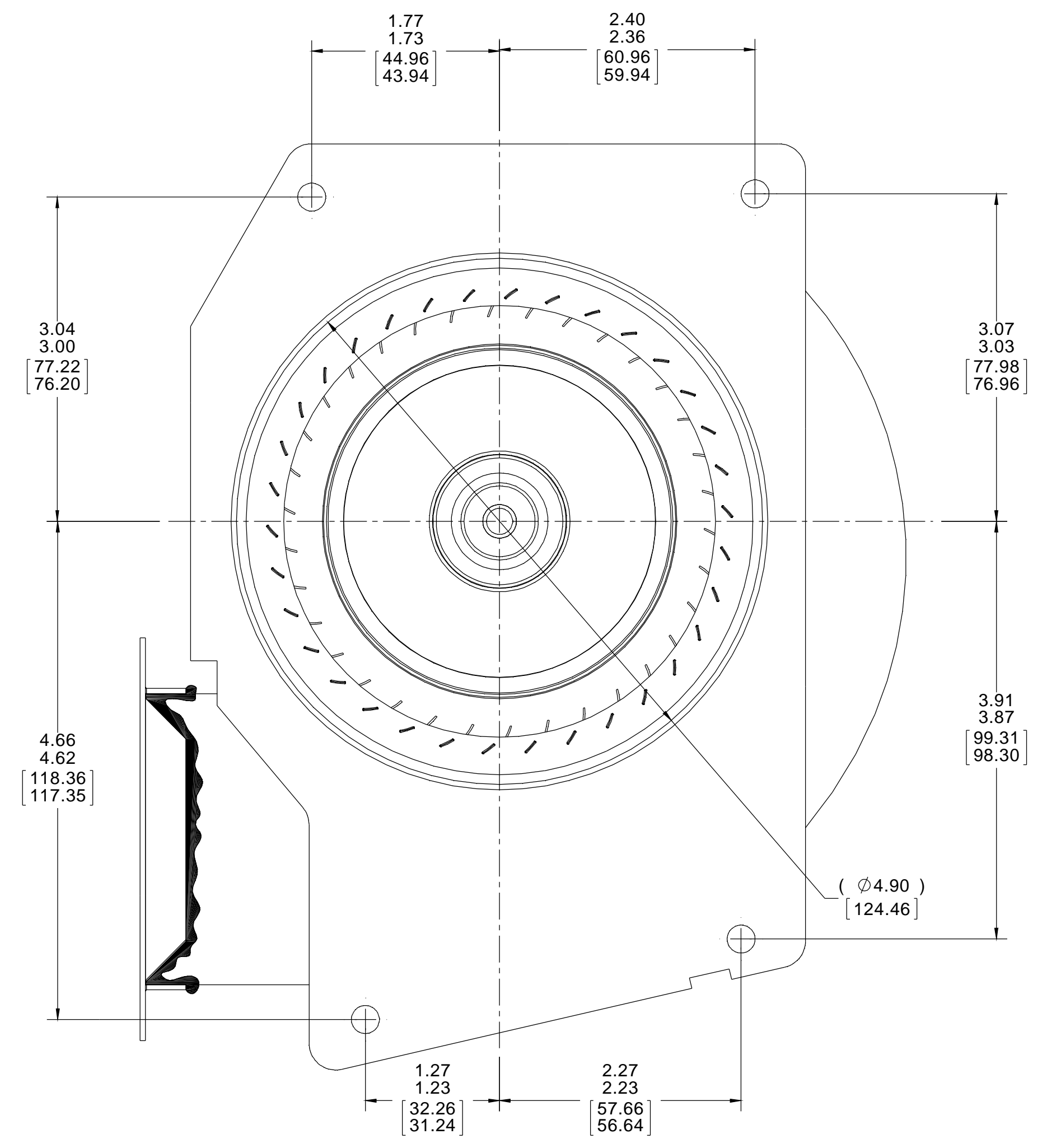
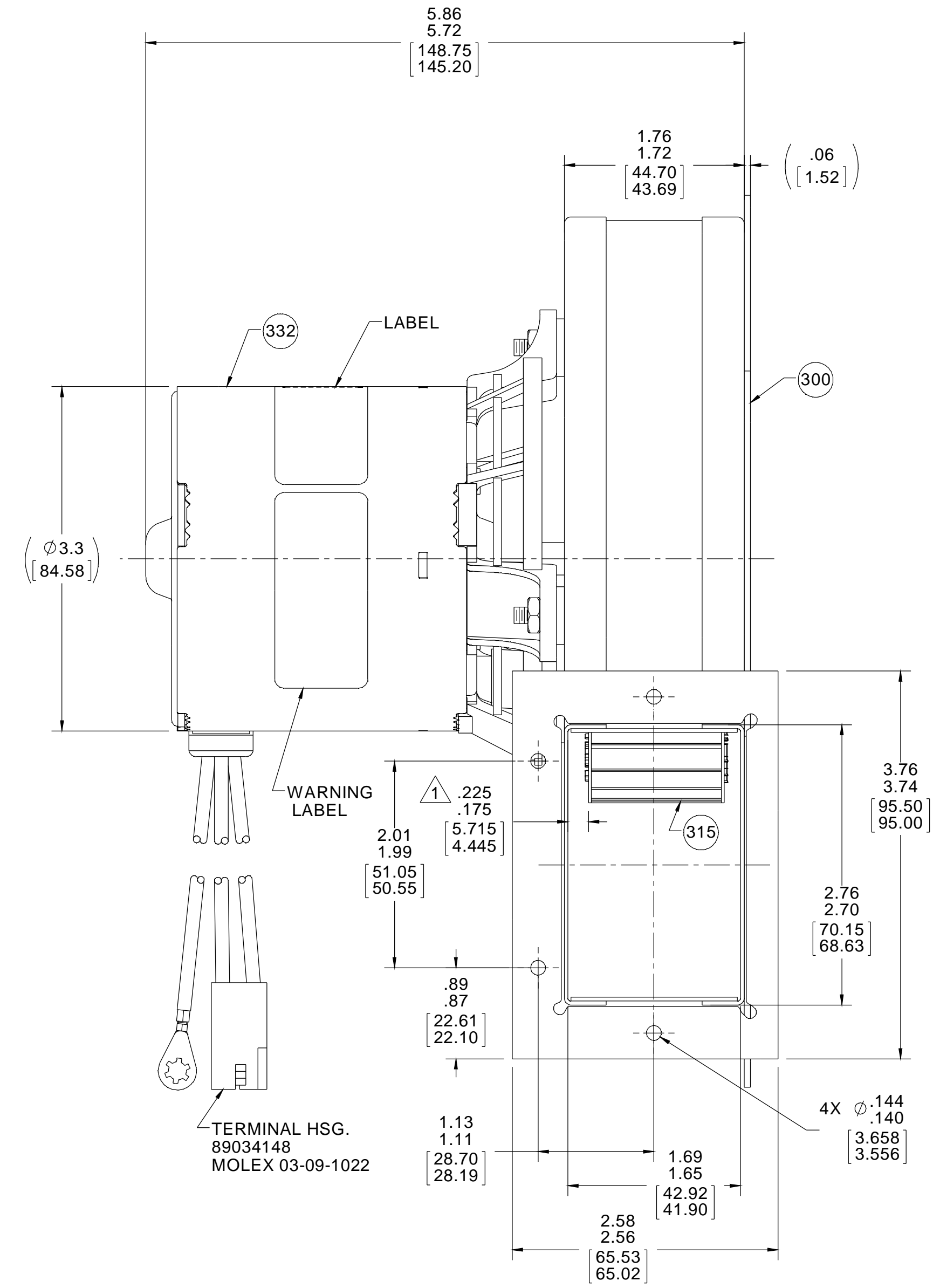
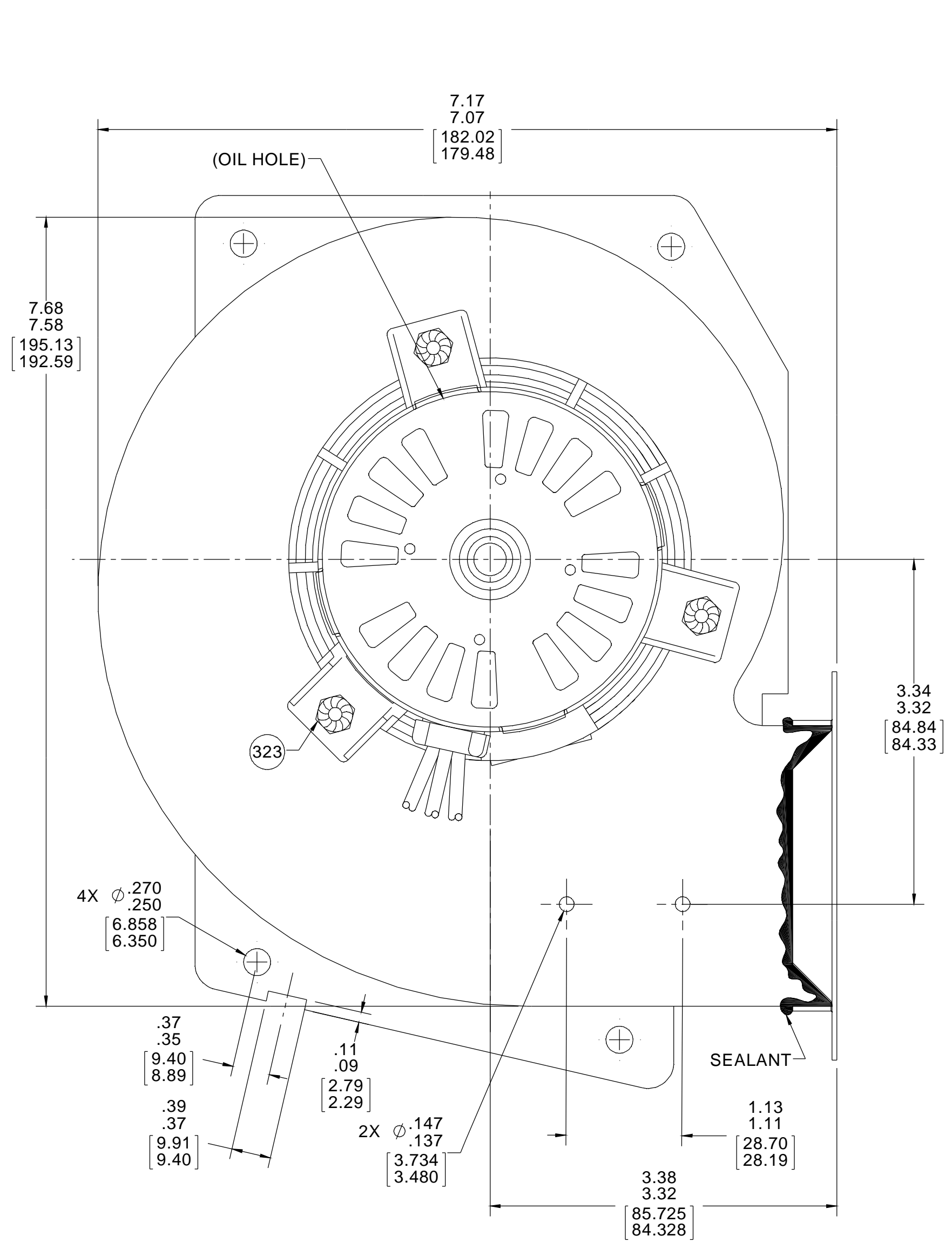
THERMALLY PROTECTED
CLASS "B" INSULATION
416 SS SHAFT

APPLICATION:		B	LA	FR	A	S	C	E	B	A
CUSTOMER:	FASCO DIST.	12	21	47	V	04	BG	5	3	0
CUSTOMER PN:	D0960									

- NOTES:
1. DIMENSION WITH END PLAY PUSHED TOWARD MOTOR.
 2. INSPECTION TEST FIXTURE IS REQUIRED.
 3. BLOWER - NATURAL, MOTOR - BLACK
 4. PACK 1 PER CONTAINER, 12 CONTAINERS PER LAYER, 5 LAYERS PER PALLET, 60 MAX. PER PALLET, PACKING ASSY 87854298, P.S. 88834200 AND P.S. 88834408.
 5. PLACE (1) FILLER PAD ON PALLET, (1) BETWEEN EACH LAYER AND (1) ON TOP OF PALLET LOAD.
 6. CARTON LABELS MUST FACE ONE DIRECTION TOWARD THE OPEN END OF THE PALLET, SEE P.S. 88834408.
 7. NO PACKAGING TAPE OVER CARTON LABELS.

LEAD MATERIAL
18 GA. 125°C 4/64 INSUL.
EPDM. (2) BLACK
5.50/4.50 [139.70/114.3] IN. [mm] LONG
W/ SOCKET TERMS. 89034338
MOLEX 02-09-1153

GROUND LEAD MATERIAL
18 GA. 125°C 2/64 INSUL.
X-LINKED POLY. GRN/YEL
13.00/11.00 [330.20/279.40] IN. [mm] LONG
W/ RING TERM. 89020157
AMP 350436-2



TYPICAL PERFORMANCE TEST DATA WITH A 1/516" INLET RESTRICTOR AT 115 VOLTS 60 Hz

	RPM	WATTS	AMPS
	3336	88.8	1.29

BLOWER WEIGHT 2.8 LBS. ENDPLAY .030/.010

DRAWING REVISION B	REVISION BY PLA	DATE 6/10/2015	TOLERANCES UNLESS OTHERWISE SPECIFIED: DEC. INCH mm ANGLE	DRAWN BY PLA	REGAL™ Regal Beloit America, Inc.
ECO-0078756	APPROVED BY KSA	DATE 6/10/2015	.XX ±0.01 [-0.25]	DATE 6/10/2015	
ECO DESCRIPTION CHANGED N/P FORMAT & ADDED WARN. LABEL			.XXX ±0.005 [-0.127]	APPROVED BY KSA	DESCRIPTION BLOWER ASSY
BLOWER WEIGHT 2.8 LBS. ENDPLAY .030/.010			XXX ±0.0005 [-0.0127]	DATE 6/10/2015	MATERIAL
			REMOVE BURRS & BREAK SHARP EDGES: .003/.015 [0.076/.381]	REFERENCE	PROCESS/FINISH SEE NOTE 3
			CORNER FILLETS: .02 [0.51]	THIRD ANGLE PROJECTION	SIZE DRAWING NUMBER 702112966
			MACHINED SURFACES: 125/ mm 3/2 INCH mm		SHEET 1 OF 1