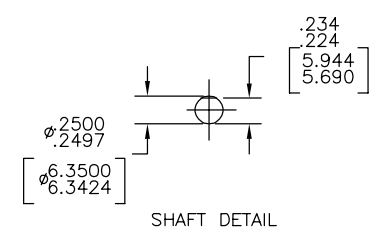
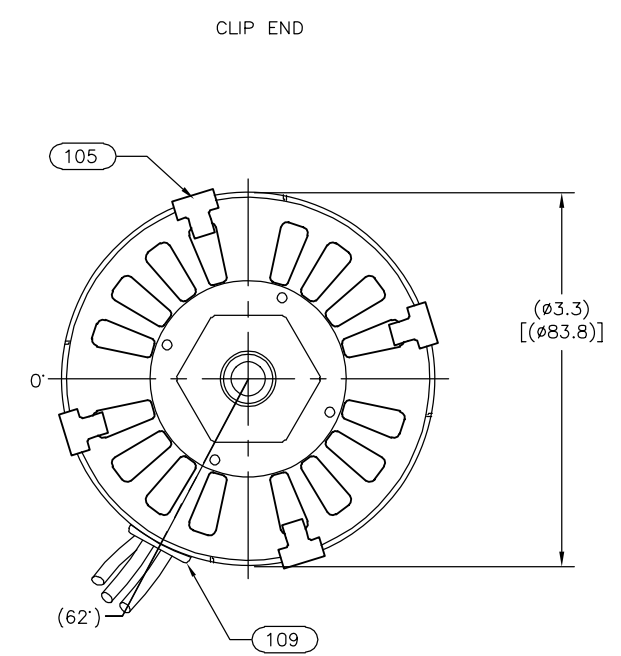
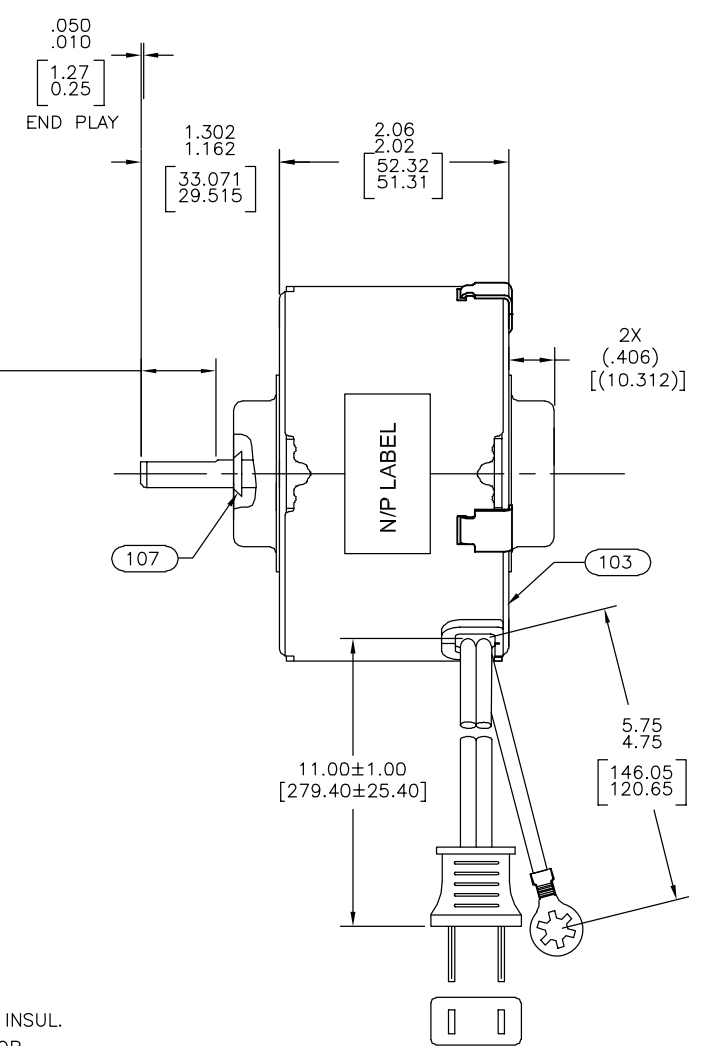


ROTATION



LEAD MATERIAL  
18 GA. 90°C 3/64 INSUL.  
HPN, (2) CONDUCTOR,  
PARALLEL, BLACK

GROUND LEAD MATERIAL  
18 GA. 105°C 2/64 INSUL.  
THERMO, GRN/YEL LEAD  
5.75/4.75 [146.05/120.65] LONG  
W/RING TERM. 8902-0157  
AMP 350436-2



- NOTES:
- MOTOR HAS 416 S.S. SHAFT.
  - NO PACKAGING TAPE OVER CARTON LABEL.

6130 5568

**SAFETY WARNING**  
This motor must be grounded in accordance with local or national electrical codes to prevent possible injury due to electrical shock

**AVERTISSEMENT DE SÉCURITÉ**  
Ce moteur doit être fondée sur conformément à la réglementation locale ou national électrique codes pour prévenir d'éventuelles blessures en raison de choc électrique

0046 4668

**FASCO** Fasco Industries, Inc. Motor Division

Assembled in Mexico

No. 71732210 Type U73B1 T.P. AO  
115 V 60 Hz Class B  
.85 A 1320 RPM  
Model D0636 E40513  
Reference: 1/88 HP  
Max Amb: 40° C

CUSTOMER PN: D0636	ENVIRONMENT: DAMP
CUSTOMER: FASCO FDC.	APPLICATION: COUNTER SALES
	MOTOR WEIGHT: -

SIGNED:	FRONT SHAFT POSITION UP DOWN HORIZONTAL	MOTOR TYPE					REFERENCE SAMPLE NUMBER				
		SHADED POLE					X-0006588-2				
DATE:		B	LA	FR	A	S	C	E	B	A	
		00	73	30	V	16	AE	5	1	0	

TYPICAL PERFORMANCE AT 115 VOLTS 60 HZ											
MOTOR SPEED	IDLE			FULL LOAD			LOCKED			BREAK	
	RPM	AMP	WATT	IN OZ	RPM	AMP	WATT	IN OZ	AMP	WATT	IN OZ
1730	.75	45	13.3	1320	.85	68	5.7	1.05	84	13.3	

ORACLE REV. 00B	DATE 02-11-2015	TOLERANCES UNLESS OTHERWISE SPECIFIED
DRAWING REVISION B	DATE 02-11-2015	DEC. INCH mm ANGLE
ECO-0070283	DATE 02-11-2015	.XX ±0.02 [±0.51]
SEE ECO		.XXX ±0.005 [±0.127]
		.XXXX ±0.0005 [±0.0127]
		REMOVE BURRS & BREAK SHARP EDGES .003/015 [0.076/381]
		CORNER FILLETS .02 [0.51]
		MACHINED SURFACES .125/32
		mm SHOWN IN [BRACKETS]

DRAWN BY: M.G.U.	DATE: 09-15-2014
APPROVED BY: A.SUN	DATE: 09-15-2014
THIRD ANGLE PROJECTION	

<b>REGAL</b> Regal Beloit America, Inc.	DESCRIPTION: MODEL-SFHP-3.3 OUTLINE
MATERIAL: BLACK PAINT	PROCESS/FINISH: BLACK PAINT
SIZE DWG NO: C	71732210
SHEET: 1-2	

D  
C  
B  
A

D  
C  
B  
A

4

3

2

1

4

3

2

1