

LEAD MATERIAL
18 GA. 105°C 4/64 INSUL.
PARALLEL PVC
BLACK
15.25/13.25 [387.35/336.55]

GROUND LEAD MATERIAL
18 GA. 105°C 2/64 THERMO.
GRN/YEL.
13.00/11.00 [330.20/279.40]
WRING TERM. 89030157
AMP 350436-2

- NOTES:
1. MOTOR HAS 416 SS SHAFT.
2. NO PACKING TAPE OVER CARTON LABEL.

SAFETY WARNING
This motor must be grounded in accordance with local or national electrical codes to prevent possible injury due to electrical shock.

AVERTISSEMENT DE SECURITE
Ce moteur doit être fondée sur conformément à la réglementation locale ou national électrique codes pour prévenir d'éventuelles blessures en raison de choc électrique.

APPLY IN A CONVENIENT LOCATION TO READ RIGHT FROM BACK END

FASCO Fasco Industries, Inc
Motor Division

Assembled in Mexico

No. 71732224 TYPE U73B1 T.P. AO
208-230 V 60 Hz Class B
9-1.0 A 1450 RPM
Model D0396 E40513
Reference 1/20 HP
Max Amb: 40°C

61299553

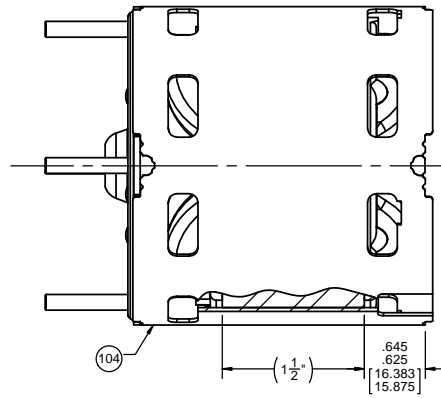
CUSTOMER:	FASCO DIST.	APPLICATION:	COUNTER SALES
CUSTOMER PN:	D0396	MOTOR WEIGHT:	
UP		ENVIRONMENT:	DAMP
HORIZONTAL	MOTOR TYPE		REFERENCE SAMPLE
	SHADED POLE		X-0006831-3C2
DOWN	B	LA	FR
	00	73	30
		A	S
		V	06
	C	E	B
	JX	5	3
	A		0
TYPICAL PERFORMANCE AT 208-230 VOLTS 60C2 HZ			
IDLE			
LOADED			
LOCKED			
BREAK			
MOTOR SPEED	RPM	AMP	WATT
208V / 60 Hz	1770	.70	72
			35.7
			1450
			.92
			127
			119.9
			1.24
			159
			36.0
230V - 60 Hz	1772	.79	88
			44.6
			1450
			1.04
			158
			22.3
			1.42
			202
			45.0

DRAWING REVISION	REVISION BY	DATE	TOLERANCES UNLESS OTHERWISE SPECIFIED:	DRAWN BY	
DA	MLS	3/20/2017	DEC. INCH mm ANGLE	N. HONG	
ECO-0119917	SED	3/20/2017	.X ±0.1 [±2.5] 1°	DATE	05/12/2014
ECO DESCRIPTION	REVISED CORDSET MATERIAL PER CUST. REQUEST		.XX ±0.01 [±0.25]	APPROVED BY	H. ZHU
			.XXX ±0.005 [±0.127]	DATE	05/12/2014
			.XXXX ±0.0005 [±0.0127]	DESCRIPTION	MODEL-SFHP-3.3
<small>PROPRIETARY AND CONFIDENTIAL INFORMATION - THIS DOCUMENT IS THE PROPERTY OF REGAL BELOIT AMERICA, INC. FORMERLY AND CONTAINS OWNERS PROPRIETARY INFORMATION. ANY PERSON, CORPORATION OR OTHER FIRM RECEIVING IT IS DEEMED, BY RECEIVING IT, TO AGREE THAT IT, AND/OR ANY PART OF IT, SHALL NOT BE DISCLOSED TO ANY PERSON, CORPORATION OR OTHER ENTITY, DUPLICATED, AND/OR USED, EXCEPT AS EXPRESSLY APPROVED IN WRITING IN ADVANCE BY OWNER. THIS DOCUMENT SHALL BE RETURNED TO OWNER UPON REQUEST. IT MAY BE SUBJECT TO CERTAIN RESTRICTIONS UNDER APPLICABLE EXPORT CONTROL LAWS AND REGULATIONS.</small>			REMOVE BURRS & BREAK SHARP EDGES: .003/.015 [0.076/.381] X 45° CORNER FILLETS: R.02 [S1] MACHINED SURFACES: 1/25 / 3/2 INCH / mm ✓ mm SHOWN IN [BRACKETS]	MATERIAL SIZE / DRAWING NUMBER 71732224 PROCESS/FINISH BLACK SHEET 1 OF 2	

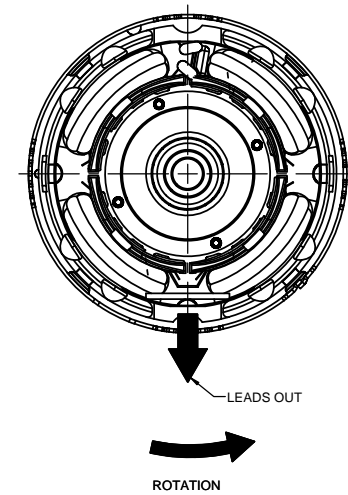
NOTES:

1. STAKE STATOR TO SLEEVE PER 88830264.
2. MAXIMUM TORQUE REQUIRED TO TURN MOTOR SHAFT IS 3/8 IN. OZ.
3. MAKE-UP WASHERS ARE TO BE ADDED OR DELETED TO ACHIEVE REQUIRED ENDPLAY.

FRONT END



BACK END



PACKING SPECIFICATIONS

1. PACK 1 PER CONTAINER, 40 CONTAINERS PER LAYER, 6 LAYERS PER PALLET, 240 MAX. PER PALLET. PER 88834200.
2. PLACE FILLER FOAM RING ON END OF MOTOR AND FILLER TUBE ON SHAFT EXTENSION END, PLACE MOTOR IN CARTON, LEADS DOWN, CLOSE FLAPS AND TAPE.
3. CARTON LABELS MUST ALL FACE ONE DIRECTION TOWARD THE OPEN END OF THE PALLET. SEE 88834408.
4. PLACE FLAT PAD ON PALLET, (1) BETWEEN EACH LAYER, AND (1) ON TOP OF CARTON, PLACE ALL INSPECTION AND WRITING ON THE TOP FLAT PAD TO PREVENT MARKING ON CARTONS, PRIOR TO STRETCH WRAP.

DRAWING REVISION		REVISION BY	DATE	TOLERANCES UNLESS OTHERWISE SPECIFIED:		DRAWN BY		Regal Beloit America, Inc.	
DA		MLS	3/20/2017	DEC.	INCH	mm	ANGLE		DATE
ECO-0119917		SED	3/20/2017	.X	±0.1	[±2.5]	±1°		05/12/2014
ECO DESCRIPTION		APPROVED BY	DATE	.XX	±0.01	[±0.25]			APPROVED BY
REVISED CORDSET MATERIAL PER CUST. REQUEST		H. ZHU		.XXX	±0.005	[±0.127]		DATE	
<small>COPYRIGHT REGAL BELOIT AMERICA, INC. ALL RIGHTS RESERVED. PROPRIETARY AND CONFIDENTIAL INFORMATION - THIS DOCUMENT IS THE PROPERTY OF REGAL BELOIT AMERICA, INC. FORMERLY AND CONTAINS OWNER'S PROPRIETARY INFORMATION. ANY PERSON, CORPORATION OR OTHER FIRM RECEIVING IT IS DEEMED, BY RECEIVING IT, TO AGREE THAT IT, AND/OR ANY PART OF IT, SHALL NOT BE DISCLOSED TO ANY PERSON, CORPORATION OR OTHER ENTITY, DUPLICATED, AND/OR USED, EXCEPT AS EXPRESSLY APPROVED IN WRITING IN ADVANCE BY OWNER. THIS DOCUMENT SHALL BE RETURNED TO OWNER UPON REQUEST. IT MAY BE SUBJECT TO CERTAIN RESTRICTIONS UNDER APPLICABLE EXPORT CONTROL LAWS AND REGULATIONS.</small>				.XXXX	±0.0005	[±0.0127]		05/12/2014	
				REMOVE BURRS & BREAK SHARP EDGES: .003/.015 [±0.076/.381] X 45°		CORNER FILLETS: R.02 [S1]		REFERENCE	
				MACHINED SURFACES: .125/ 3.2		INCH/mm		MATERIAL	
				mm SHOWN IN [BRACKETS]		THIRD ANGLE PROJECTION		PROCESS FINISH: BLACK	
						SIZE		DRAWING NUMBER	
						C		71732224	
								SHEET 2 OF 2	