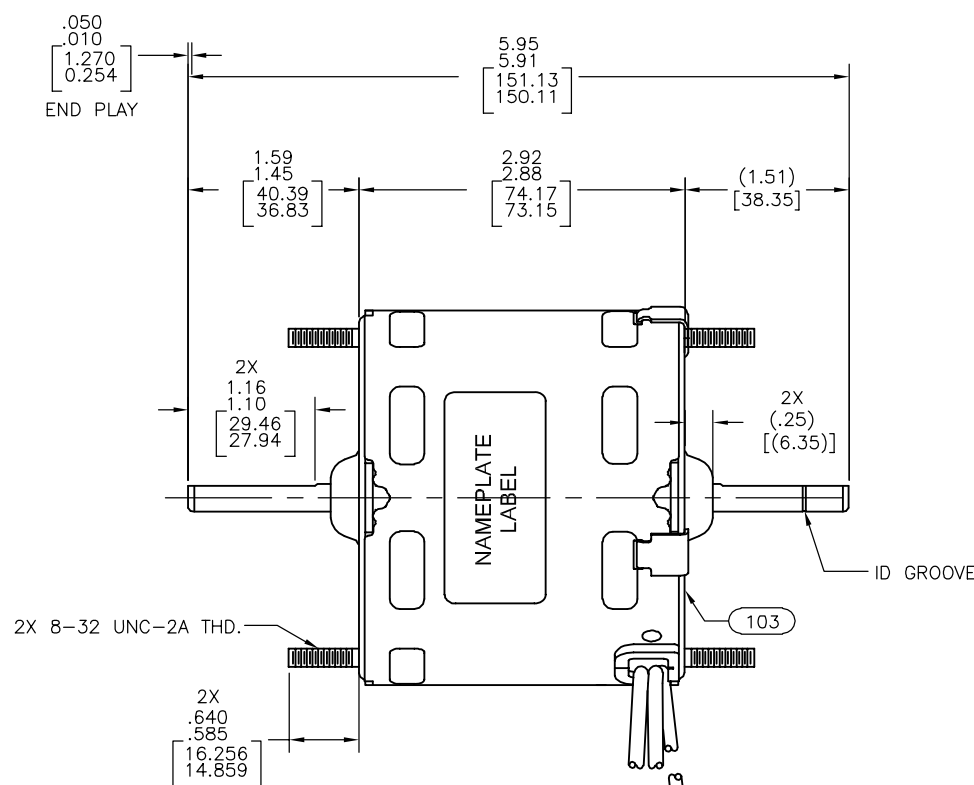
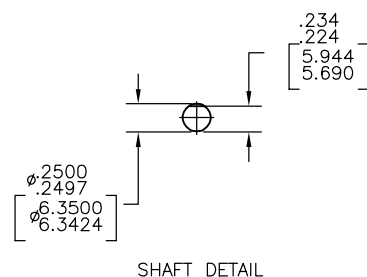


ROTATION



2X 8-32 UNC-2A THD.

LEAD MATERIAL
18 GA. 125°C 2/64 INS.
X-LINKED POLY. (2) BLACK
13.00/11.00[330.20/279.40] LONG
.56/.44 IN. STRIP

GROUND LEAD MATERIAL
18 GA. 125°C 2/64 INS.
X-LINKED POLY. GRN/YEL
13.00/11.00[330.20/279.40] LONG
RING TERM. 8902-0157
AMP #350436-2

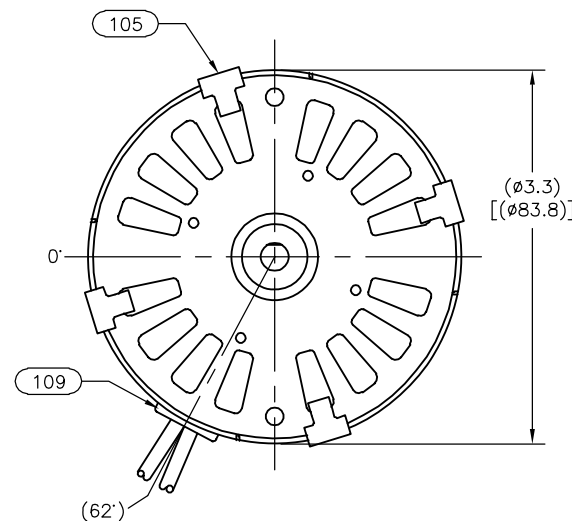
6130 5568

SAFETY WARNING
This motor must be grounded in accordance with local or national electrical codes to prevent possible injury due to electrical shock



AVERTISSEMENT DE SÉCURITÉ
Ce moteur doit être fondée sur conformément à la réglementation locale ou national électrique codes pour prévenir d'éventuelles blessures en raison de choc électrique

APPLY IN A CONVENIENT LOCATION TO READ FROM CLIP END



0046 4668

FASCO Fasco Industries, Inc. Motor Division

Assembled in Mexico
No. 712112748 TYPE U21B T.P. A0
115 V 60 Hz Class B
1.3 A 3000 RPM
Model D011 Rot CWLE E40513
Reference 1/30 HP
Max Amb 40°C

61299553

- NOTES:
1. MOTOR HAS 416 S.S. SHAFT.
2. NO PACKAGING TAPE OVER CARTON LABEL.

CUSTOMER PN: D011	ENVIRONMENT: WET
CUSTOMER: FASCO FDC	APPLICATION: COUNTER SALES
	MOTOR WEIGHT: -

SIGNED:	FRONT SHAFT POSITION UP HORIZONTAL	MOTOR TYPE					REFERENCE SAMPLE NUMBER				
		SHADED POLE					X-0006170-5				
DATE:		B	LA	FR	A	S	C	E	B	A	
		00	21	30	V	04	DD	5	1	0	

MOTOR SPEED	TYPICAL PERFORMANCE AT 115 VOLTS 60 HZ			FULL LOAD			LOCKED		BREAK	
	RPM	AMP	WATT	IN OZ	RPM	AMP	WATT	IN OZ	AMP	WATT
3484	1.06	69.0	12.2	3000	1.34	105.6	4.50	1.74	129	12.9

ORACLE REV. OOC	DATE 02-13-2015	TOLERANCES UNLESS OTHERWISE SPECIFIED
DRAWING REVISION C	DATE 02-13-2015	DEC. INCH mm ANGLE
ECO-0070283	APPROVED BY H.ZHU	.XX ±0.02 (±0.51)
SEE ECO		.XXX ±0.005 (±0.127)
		.XXXX ±0.0005 (±0.0127)
		REMOVE BURRS & BREAK SHARP EDGES .003/015 (0.076/381)
		CORNER FILLETS .02 (1.51)
		MACHINED SURFACES INCH/mm 32
		mm SHOWN IN [BRACKETS]

DRAWN BY: N.HONG	DESCRIPTION: MODEL-SFHP-3.3 OUTLINE
DATE: 09-23-2014	MATERIAL: BLACK PAINT
APPROVED BY: H.ZHU	PROCESS/FINISH: BLACK PAINT
DATE: 09-23-2014	SIZE DWG NO: C
REFERENCE: 712112748	SHEET: 1 OF 2

COPYRIGHT REGAL BELOIT AMERICA, INC. ALL RIGHTS RESERVED. PROPRIETARY AND CONFIDENTIAL INFORMATION - THIS DOCUMENT IS THE PROPERTY OF REGAL BELOIT AMERICA, INC. (OWNER) AND CONTAINS OWNER'S PROPRIETARY INFORMATION. ANY PERSON, CORPORATION OR OTHER FIRM RECEIVING IT IS DEEMED, BY RECEIVING IT, TO AGREE THAT IT, AND/OR ANY PART OF IT, SHALL NOT BE DISCLOSED TO ANY PERSON, CORPORATION OR OTHER ENTITY, DUPLICATED, AND/OR USED, EXCEPT AS EXPRESSLY APPROVED IN WRITING IN ADVANCE BY OWNER. THIS DOCUMENT SHALL BE RETURNED TO OWNER UPON REQUEST. IT MAY BE SUBJECT TO CERTAIN RESTRICTIONS UNDER APPLICABLE EXPORT CONTROL LAWS AND REGULATIONS.