

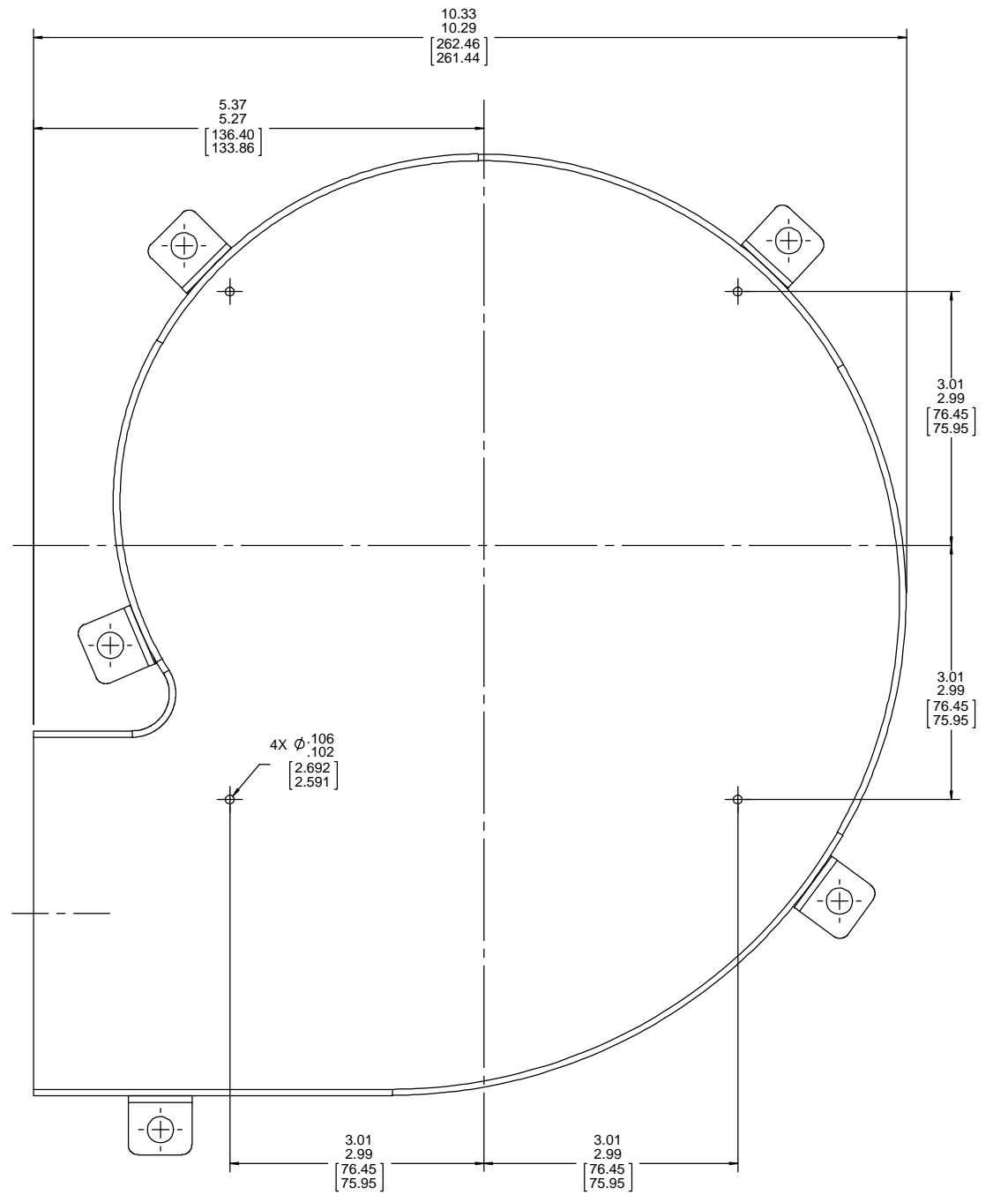
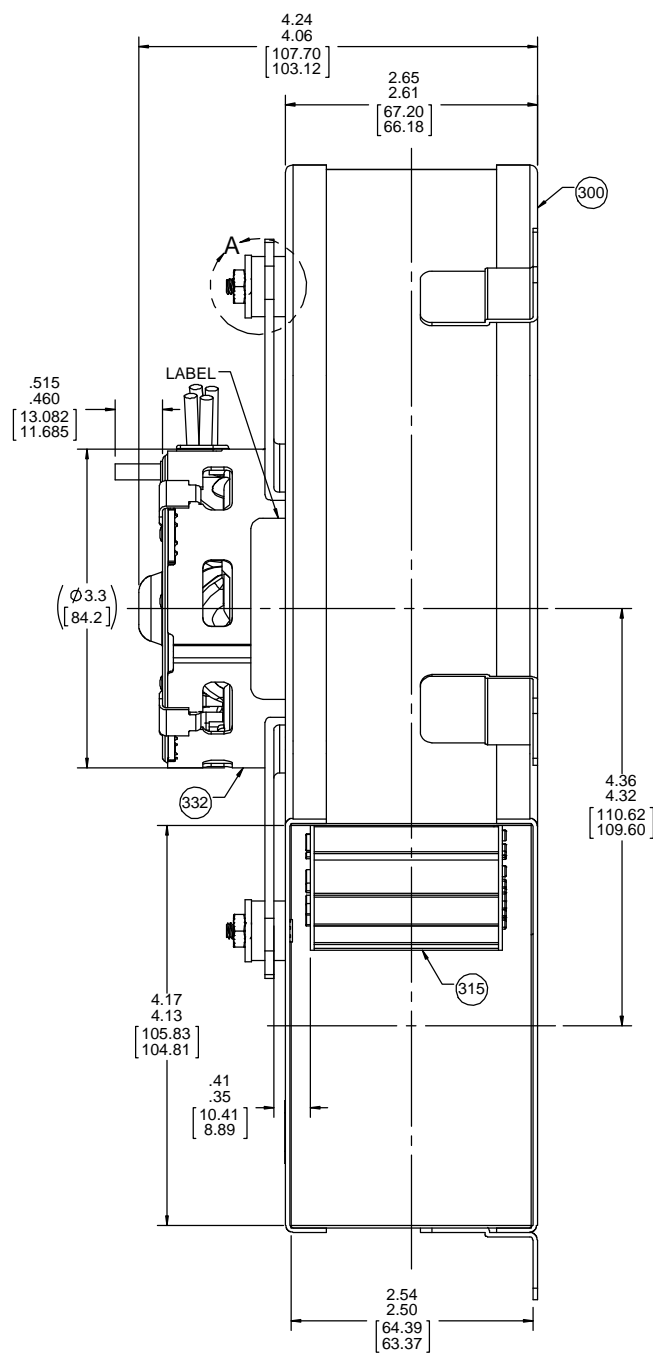
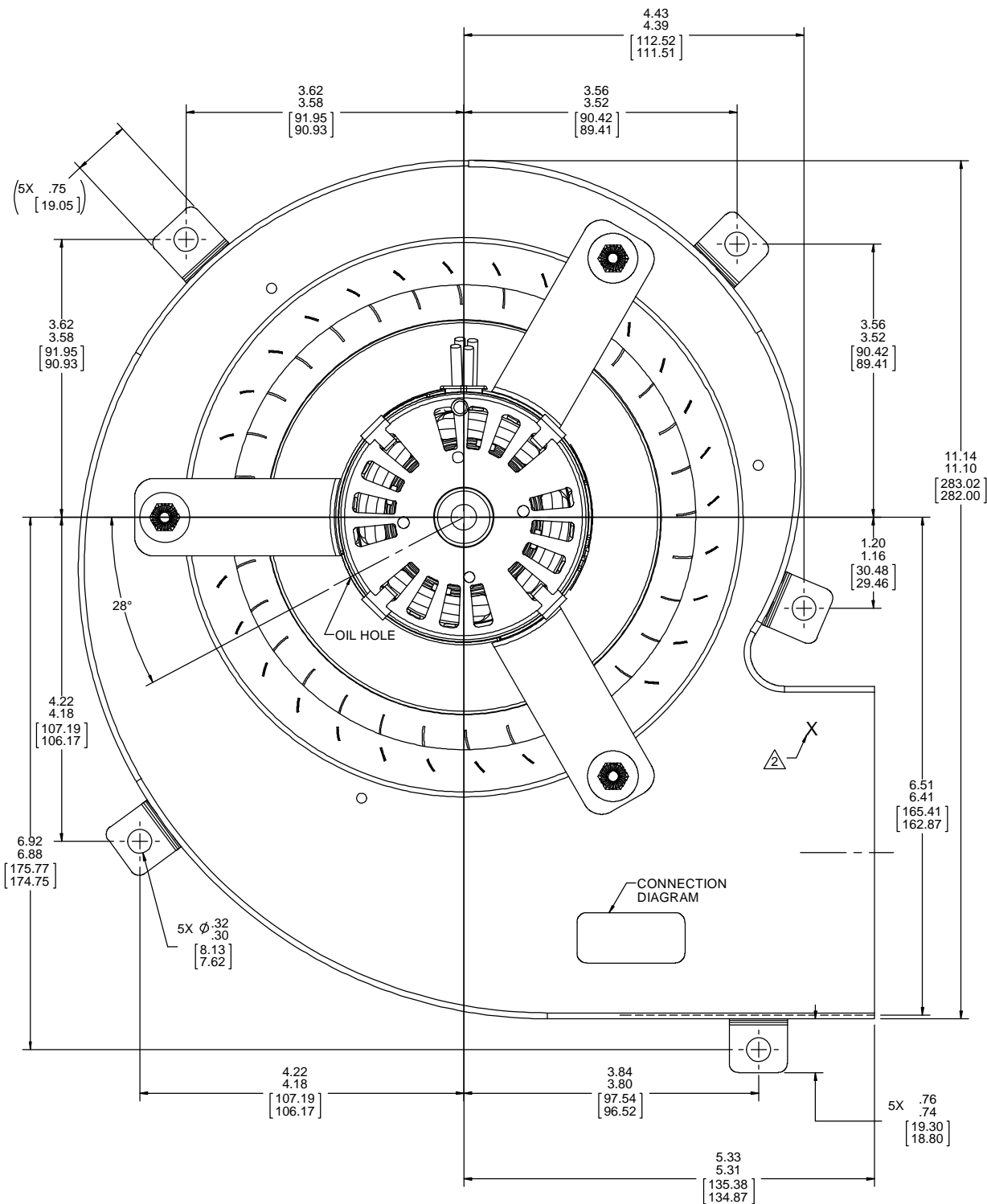
- NOTES:
1. PACK 1 PER CONTAINER, 54 MAX. PER PALLET, PACKING ASSY. 87854000, 9 CONTAINERS PER LAYER, 6 LAYERS PER PALLET, PER 88834200 AND 88834408.
 2. CHECK VIBRATION ON INLET SIDE NEAR EXHAUST. MAX. VIBRATION SHOULD BE 4 MILS.
 3. CARTON LABELS MUST ALL FACE ONE DIRECTION TOWARD THE OPEN END OF THE PALLET. SEE 88834408.
 4. NO PACKAGING TAPE OVER CARTON LABEL.

THERMALLY PROTECTED
CLASS "B" INSULATION

| | | | | | | | | | | |
|--------------|-------------|----|----|----|---|----|----|---|---|---|
| APPLICATION: | RANGE HOOD | B | LA | FR | A | S | C | E | B | A |
| CUSTOMER: | FASCO DIST. | 15 | 63 | 33 | V | 05 | GZ | 7 | 3 | 0 |
| CUSTOMER PN: | B47120 | | | | | | | | | |

LEAD MATERIAL
18 GA. 125°C 2/64 INSUL.
X-LINKED POLY.
WHITE, BLACK, BLUE, RED
14.00/12.00 [355.60/304.80]
.56/.44 [14.22/11.18] STRIP

DETAIL A
SPACER & GROMMET



61294186

| | |
|-----|--------|
| Whi | Common |
| Blk | High |
| Blu | Medium |
| Red | Low |

| TYPICAL PERFORMANCE TEST DATA IN FREE AIR | | | |
|--|------|-------|-------------------------------------|
| AT 115 VOLTS 60 Hz | | | |
| | RPM | WATTS | AMPS |
| HIGH | 1437 | 156 | 1.96 |
| MED | 1090 | 99 | 1.26 |
| LOW | 775 | 75 | .86 |
| BLOWER WEIGHT LBS. | | | ENDPLAY .030/.010 [.762/.254] |

| | | | | | | | | |
|--|--------------------|-------------------|--|------------------------|-------------------|----------------------------|-------------------|---------------------------------------|
| DRAWING REVISION AA | REVISION BY MLS | DATE 9/14/2017 | TOLERANCES UNLESS OTHERWISE SPECIFIED: DEC. INCH mm ANGLE .X ±0.1 [±2.5] ±1° .XX ±0.01 [±0.25] .XXX ±0.005 [±0.127] XXX ±0.005 [±0.127] | DRAWN BY MLS | DATE 9/14/2017 | APPROVED BY SDM | DATE 9/14/2017 | DESCRIPTION OUTLINE BLOWER ASSY |
| ECO-0131132 | | | REMOVED SURFACES: 125/ INCRA/ 32/ mm SHOWN IN [BRACKETS] | APPROVED BY SDM | DATE 9/14/2017 | REFERENCE | MATERIAL | PROCESS/FINISH BLACK |
| ECO DESCRIPTION REDRAWN TO SOLIDWORKS | | | REMOVE BURRS & BREAK SHARP EDGES: .003/.015 [0.076/.381] X 45° CORNER FILLETS: R.02 [51] | THIRD ANGLE PROJECTION | SIZE D | DRAWING NUMBER 70636207 | SHEET 1 OF 1 | Regal Beloit America, Inc. |