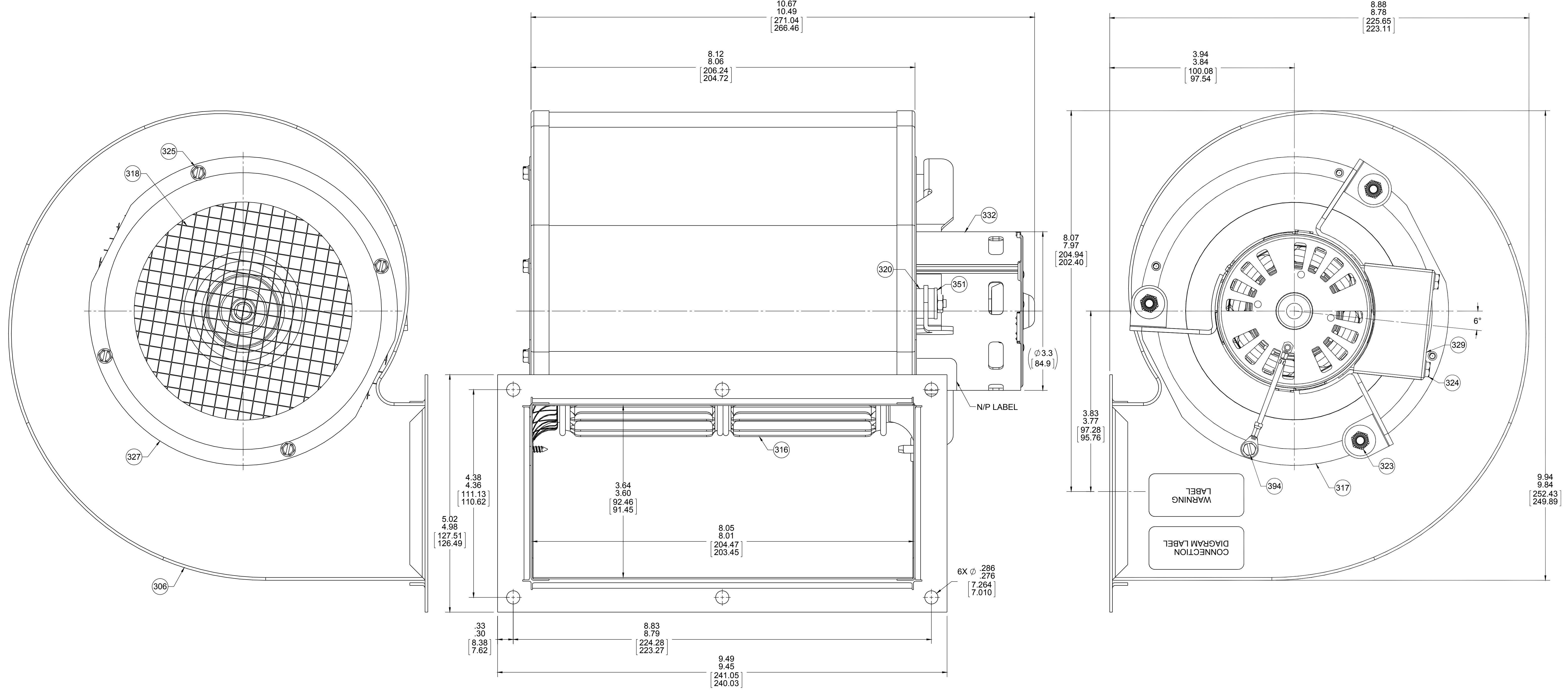


APPLICATION:	COUNTER SALES	B	LA	FR	A	S	C	E	B	A
CUSTOMER:	FASCO DIST.	18	63	33	V	06	JM	6	5	0
CUSTOMER PN:	B45267									

- NOTES:
1. ASSEMBLE GROUND LEAD TO HOUSING WITH PC 394 SCREW AS SHOWN.
 2. AFTER TESTING, COIL LEADS INSIDE CONDUIT BOX AND SECURE COVER WITH PC 324 SCREWS.
 3. TRAP PC 318 SCREEN BETWEEN PC 327 INLET PLATE AND BLOWER HOUSING, SECURE COMPONENTS WITH PC 325 SCREWS.
 4. NO KNOCKOUTS REMOVED.
 5. APPLY CONNECTION DIAGRAM LABEL IN LOCATION SHOWN, CONNECTION DIAGRAM TO READ CORRECTLY WHEN THE BLOWER IS VIEWED IN A HORIZONTAL OVERSHOT POSITION.
 6. PLACE (1) PC 348 IN BOTTOM OF CARTON AND (1) PC 348 ON FLANGE SIDE OF BLOWER AND PC 406 ON TOP OF MOTOR TO SECURE PACKING.
 7. PACK 1 PER CONTAINER, 36 MAX. PER PALLET. PACKING ASSY: 87854000
12 CONTAINERS PER LAYER, 3 LAYERS PER PALLET. PER 88834200 AND 88834408.
 8. NO IMPELLER GAUGE IS REQUIRED.
 9. CARTON LABELS MUST ALL FACE ONE DIRECTION TOWARD THE OPEN END OF THE PALLET, SEE 88834408.
 10. NO PACKAGING TAPE OVER CARTON LABEL.

LEAD MATERIAL
18 GA. 125°C. 2/64 INSUL.
X-LINKED POLY.
WHITE, BLACK, RED
14.00 / 12.00 [355.60 / 304.80]
W / STRIP .68 / .56 [17.27 / 14.22]

GROUND LEAD
GRN / YEL
5.00 / 4.00 [127.00 / 101.60]
W / RING TERM. 89020156
AMP 61794-1



61294169

Connection Diagram
White — Common
Black — High
Red — Low

61305568

SAFETY WARNING
This motor must be grounded in accordance with local or national electrical codes to prevent possible injury due to electrical shock.

AVERTISSEMENT DE SECURITE
Ce moteur doit être fondé sur conformément à la réglementation locale ou national électrique codes pour prévenir d'éventuelles blessures en raison de choc électrique.

**TYPICAL PERFORMANCE TEST DATA
IN FREE AIR
AT 115 VOLTS 60 Hz**

	RPM	WATTS	AMPS
HIGH	1575	177	2.30
LOW	1423	138	1.76

BLOWER WEIGHT 9.0 LBS. ENDPLAY .050/.010 [1.270/0.254]

DRAWING REVISION BH	REVISION BY SED	DATE 1/11/2016	TOLERANCES UNLESS OTHERWISE SPECIFIED: DEC. INCH. mm ANGLE XX +0.1 [-2.5] ° .XX +0.01 [-0.25] XXX +0.005 [-0.127] XXXX +0.0005 [-0.0127]	DRAWN BY SED	DATE 1/11/16	DESCRIPTION Blower Assy
ECO-0087628	APPROVED BY SDM	DATE 1/11/2016	REMOVED BURRS & BREAK SHARP EDGES: .003/.015 [0.076/.381] X 45° CORNER FILLETS: R.02 [5.1] MACHINED SURFACES: 125/32/INCH/mm mm SHOWN IN [BRACKETS]	APPROVED BY SDM	DATE 1/11/16	
REVISED OVERALL LENGTH			THIRD ANGLE PROJECTION	REFERENCE	MATERIAL	
<small> COPYRIGHT REGAL BELT BY AMERICA, INC. ALL RIGHTS RESERVED. PROPRIETARY AND CONFIDENTIAL INFORMATION - THIS DOCUMENT IS THE PROPERTY OF REGAL BELT OF AMERICA, INC. OWNERS AND CONTAINS OWNERS PROPRIETARY INFORMATION. ANY PERSON, CORPORATION OR OTHER FIRM RECEIVING IT IS GRANTED BY RECEIVING IT TO AGREE THAT IT AND/OR ANY PART OF IT SHALL NOT BE DISCLOSED TO ANY PERSON, CORPORATION OR OTHER ENTITY, DUPLICATED, AND/OR USED, EXCEPT AS EXPRESSLY APPROVED IN WRITING BY OWNER. THIS DOCUMENT SHALL BE RETURNED TO OWNER UPON REQUEST. IT MAY BE SUBJECT TO CERTAIN RESTRICTIONS UNDER APPLICABLE EXPORT CONTROL LAWS AND REGULATIONS. </small>			SIZE D	DRAWING NUMBER 70633108	PROCESS/FINISH BLACK PAINT	
REGAL™ Regal Beloit America, Inc.					SHEET 1 OF 1	