

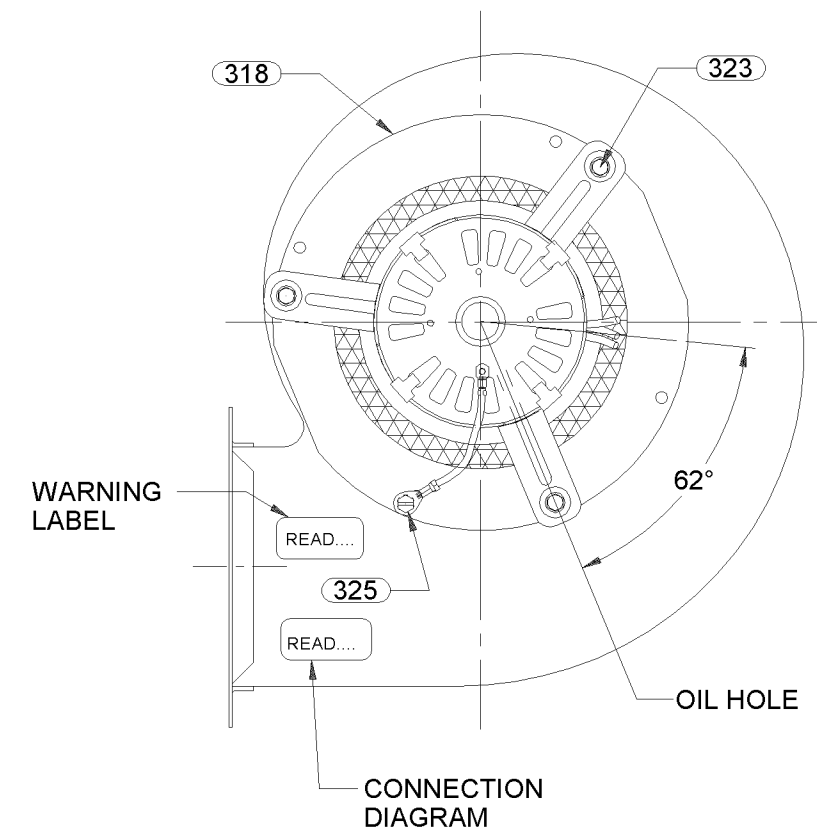
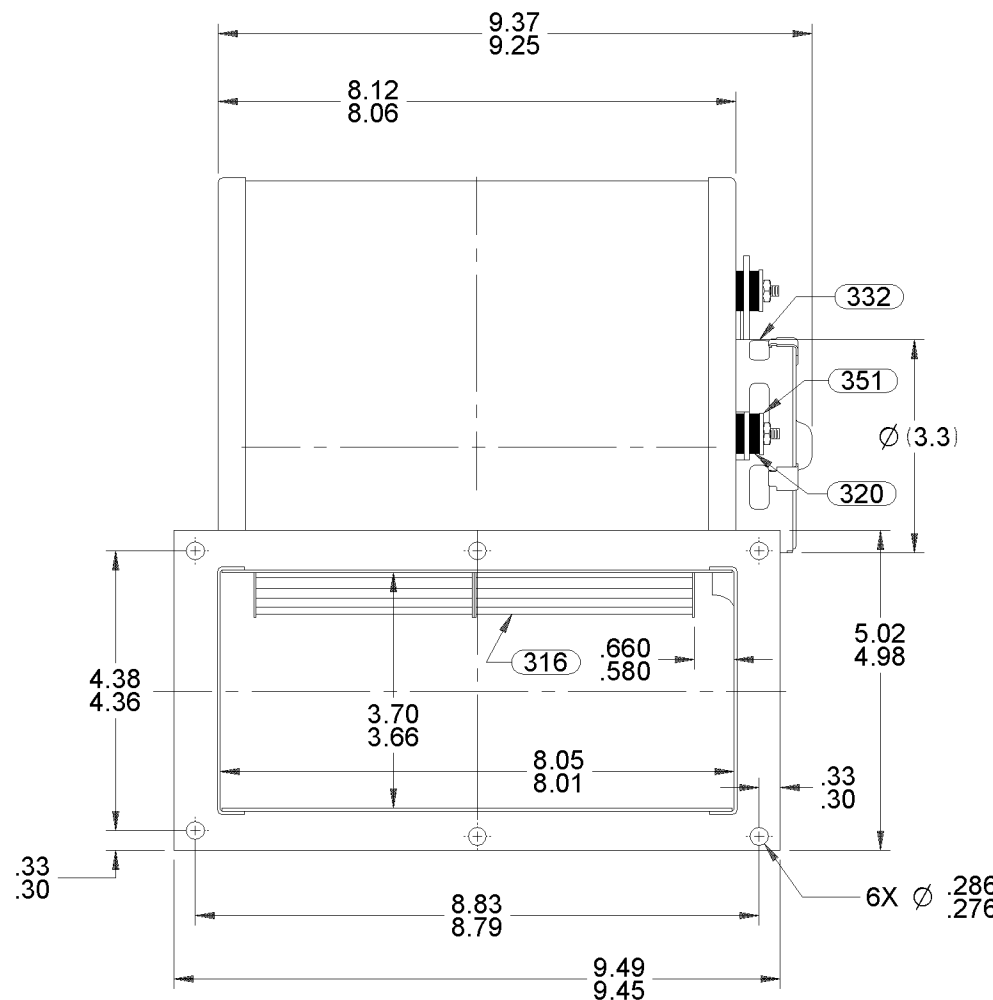
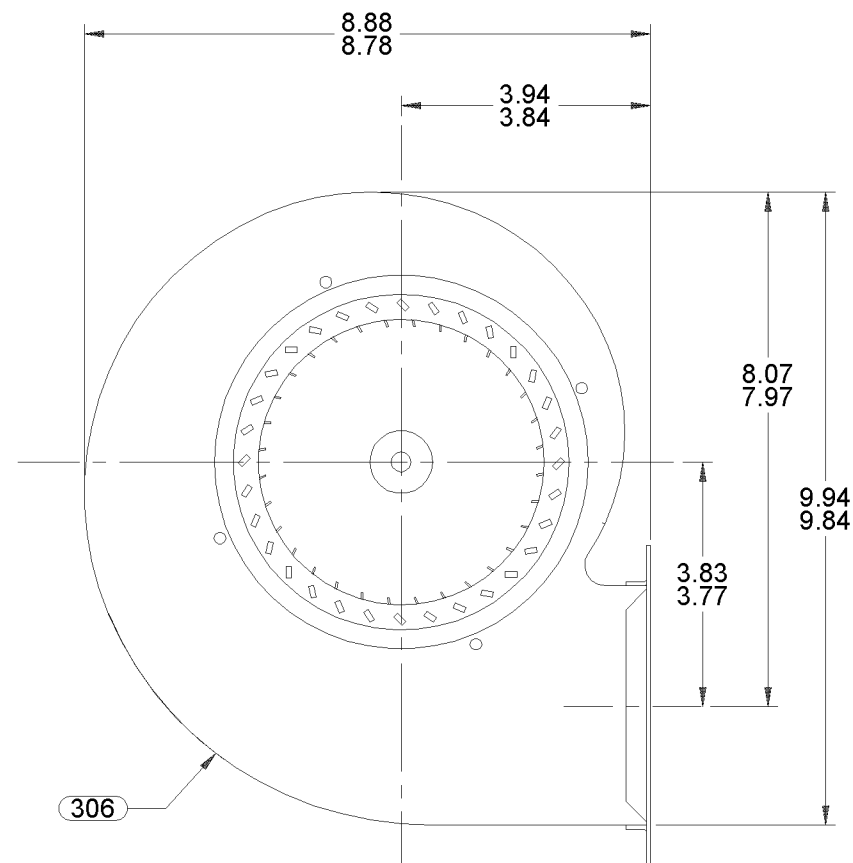
NOTES:

1. IMPELLER TO BE ASSEMBLED WITH HUB TOWARD MOTOR.
2. ASSEMBLE GROUND LEAD TO HOUSING WITH PC 325 SCREW AS SHOWN.
3. PLACE (1) PC 317 PTD GUARD AND (4) PC 324 SCREWS INSIDE PC 356 PLASTIC BAG AND PLACE INSIDE CARTON.
4. APPLY CONNECTION DIAGRAM IN LOCATION SHOWN, CONNECTION DIAGRAM TO READ WHEN BLOWER IS VIEWED IN A HORIZONTAL UNDERSHOT POSITION.
5. PACK 1 PER CONTAINER, 48 MAX. PER PALLET, PACKING ASSY: 87854000 12 PER LAYER, 4 LAYER PER PALLET P.S. 88834200 AND P.S. 88834408.
6. INSPECTION TEST FIXTURE IS REQUIRED.
7. USE TEST PLATE 33-274-001 FOR TESTING.
8. CARTON LABELS MUST ALL FACE ONE DIRECTION TOWARD THE OPEN END OF THE PALLET. SEE P.S. 88834408.
9. NO PACKAGING TAPE OVER CARTON LABEL.

APPLICATION	COUNTER SALES	B	LA	FR	A	S	C	E	B	A
THERMALLY PROTECTED CLASS "B" INSULATION		18	73	33	V	06	JR	6	3	0
CUSTOMER		FASCO DIST. CO								
CUSTOMER PART NO.		B45230								

LEAD MATERIAL
 18 GA 125° C. 4/64 INSUL.
 EPDM (1) WHITE,
 (1) BLACK, (1) RED
 20.00/18.00 IN. LONG
 .68/.56 IN. STRIP

GROUND LEAD MATERIAL
 18 GA 125° C 2/64 INSUL.
 X-LINKED POLY. GRN/YEL.
 5.00/4.00 IN. LONG
 W/RING TERM. 89020156
 AMP 61794-1



61294169

61294832

Connection Diagram
 White — Common
 Black — High
 Red — Low

SAFETY WARNING
 This Motor Must Be Grounded In Accordance With Local Or National Electrical Codes To Prevent Possible Injury Due To Electrical Shock

TYPICAL PERFORMANCE TEST DATA WITH A 2.00" INLET RESTRICTOR

ECO. NO.	REV.	DATE	APPROVAL	AT	230	VOLTS	60	HZ.
4004803	43	03/06/2012	MLM/PLA	HIGH	1667	111	.81	
4006839	44	9/25/2012	PLA/SED					
4011093	45	12/20/2013	MLH/BGP	LOW	1603	80	.56	
				BLOWER WEIGHT	8.75 LBS.		END PLAY	.050/.010

AT 230 VOLTS 60 HZ.

UNLESS OTHERWISE SPECIFIED DIMENSIONS ARE IN INCHES TOLERANCES ARE:
 FRACTIONS ± 1/16 DECIMALS .XX ± .01 ANGLES ± 1°
 .XXX ± .005

APPROVALS	DATE
DRAWN ATM	9-25-2003
CHECKED SRM	9-25-2003
FINISH COLOR	BLACK

FASCO FASCO MOTORS GROUP
 AC MOTOR/BLOWER DIVISION

CONFIDENTIAL: DO NOT DUPLICATE OR DISCLOSE TO THIRD PARTIES WITHOUT WRITTEN PERMISSION OF FASCO MOTORS GROUP, AC MOTOR/BLOWER DIVISION.

TITLE
BLOWER ASSEMBLY

SIZE B	DWG. NO. 7063 3515	REV. 45
DO NOT SCALE DRAWING		SHEET 1 OF 1