

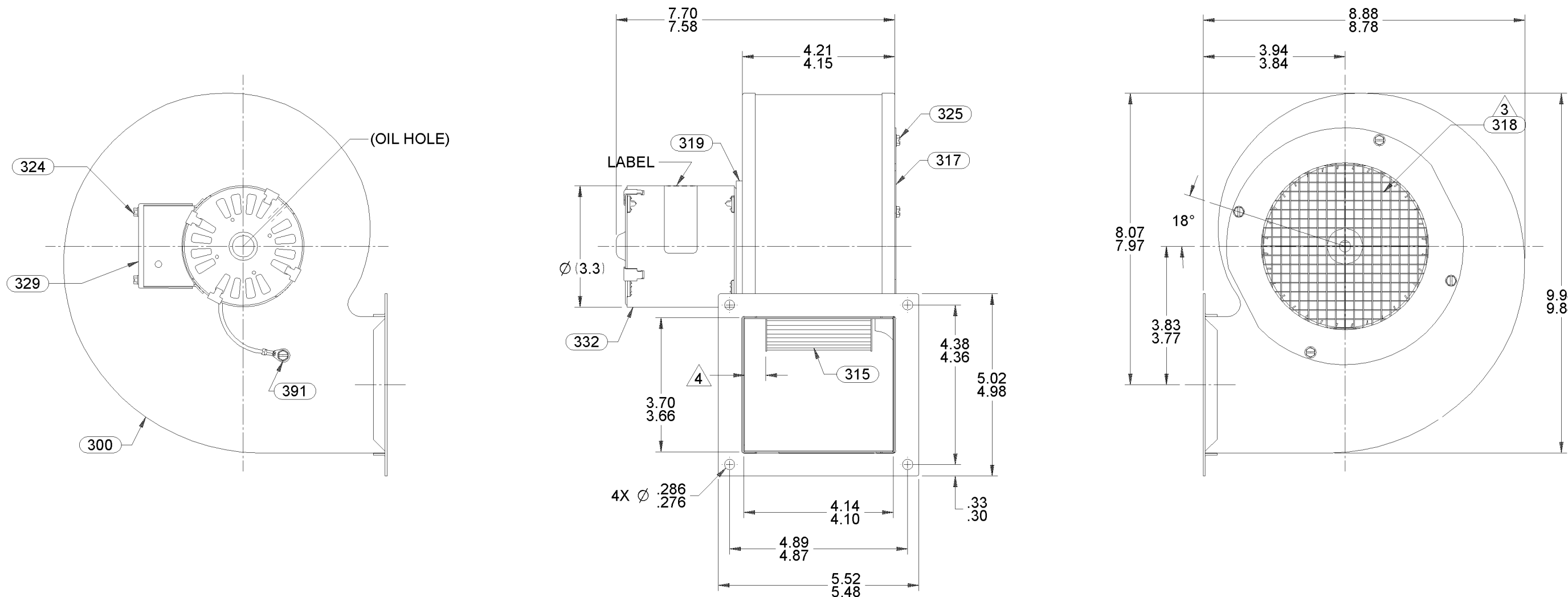
NOTES:

1. NO KNOCKOUTS REMOVED.
2. SECURE GROUND LEAD TO HOUSING USING PC 391 SCREW AS SHOWN BELOW.
3. TRAP PC 318 SCREEN BETWEEN HOUSING & PC 317 INLET RING. SECURE INLET RING WITH PC 324 SCREWS.
4. IMPELLER TO BE LOCATED USING A .620 GAUGE.
5. COIL LEADS INSIDE OF CONDUIT BOX AND SECURE COVER WITH PC 324 SCREW AFTER TESTING.
6. PACK 1 PER CARTON, 48 MAX. PER PALLET, PACKING ASSEMBLY 8785 4000, 12 CARTONS PER LAYER, 4 LAYERS PER PALLET, P.S. 8883 4200 AND P.S. 8883 4408.
7. CARTON LABELS MUST ALL FACE ONE DIRECTION TOWARD THE OPEN END OF THE PALLET. SEE P.S. 8883 4408.
8. NO PACKING TAPE OVER CARTON LABEL.

APPLICATION	B	LA	FR	A	S	C	E	B	A
THERMALLY PROTECTED CLASS "B" INSULATION	18	63	30	V	06	DR	5	3	0
CUSTOMER	FASCO DIST.								
CUSTOMER PART NO.	B45227 - 2								

LEAD MATERIAL
 18 GA. 125°C 2/64 INSUL.
 X-LINKED POLY, (2) BLACK,
 8.00/6.00 IN. LONG
 .56/.44 IN. STRIP

GROUND LEAD
 18 GA. 125°C 2/64 INSUL.
 X-LINKED POLY, GRN/YEL,
 5.00/4.00 IN. LONG
 W/ RING TERM. 8902-0156
 AMP# 61794-1



TYPICAL PERFORMANCE TEST DATA IN FREE AIR

ECO. NO.	REV.	DATE	APPROVAL	AT 230 VOLTS 50/60 HZ.				UNLESS OTHERWISE SPECIFIED DIMENSIONS ARE IN INCHES TOLERANCES ARE:			FASCO FASCO MOTORS GROUP AC MOTOR/BLOWER DIVISION			
				60 HZ	R.P.M.	WATTS	AMPS	FRACTIONS ± 1/16	DECIMALS .XX ± .01 .XXX ± .005	ANGLES ± 1°	CONFIDENTIAL: DO NOT DUPLICATE OR DISCLOSE TO THIRD PARTIES WITHOUT WRITTEN PERMISSION OF FASCO MOTORS GROUP, AC MOTOR/BLOWER DIVISION.			
4009487	16	6/19/2013	SED/SDM	60 HZ	1492	105	.68				TITLE BLOWER ASSEMBLY			
				50 HZ	1363	98	.68				APPROVALS DRAWN ATM CHECKED SRM	DATE 8-31-04 8-31-04		
				BLOWER WEIGHT 7 1/4 LBS.			END PLAY .050/.010			FINISH COLOR BLACK		SIZE B	DWG. NO. 7063 5292	REV. 16
											DO NOT SCALE DRAWING		SHEET 1 OF 1	

If Printed, this is an Uncontrolled Document.