

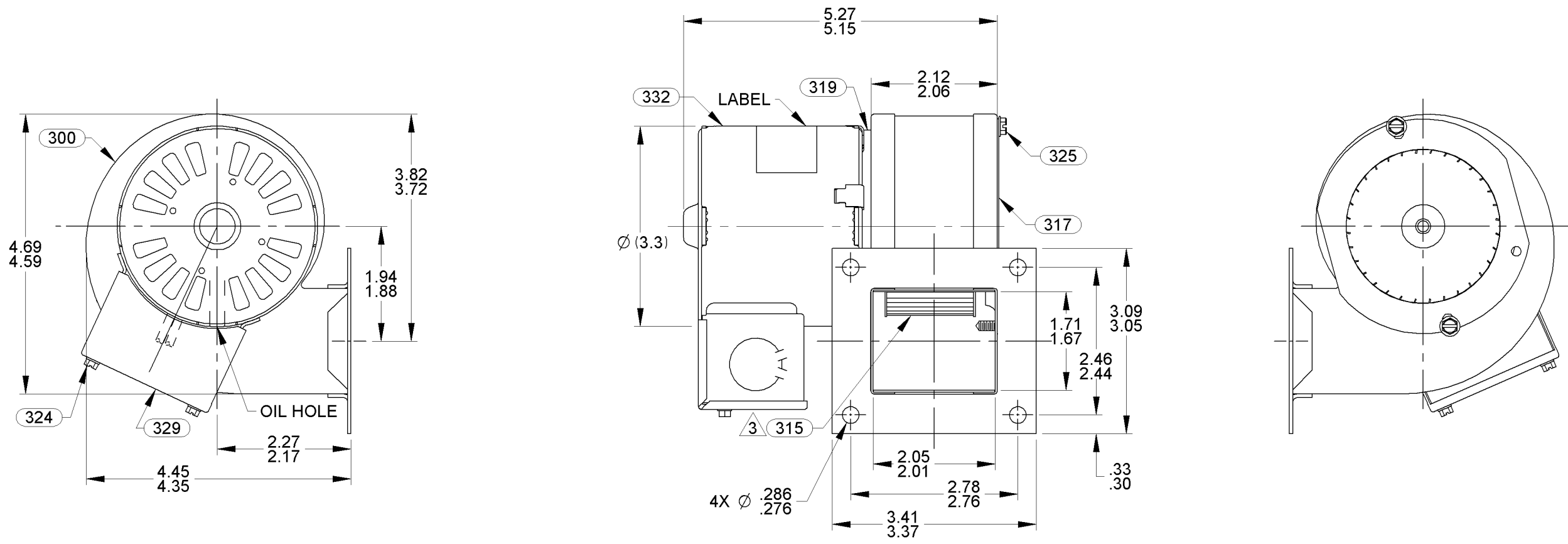
NOTES:

1. PLACE MOTOR LEADS IN CONDUIT BOX AFTER TESTING AND SECURE COVER WITH PC 324 SCREWS.
2. NO KNOCKOUTS REMOVED.
3. LOCATE IMPELLER .220/.180 FROM INSIDE OF MOTOR MOUNTING SHELL.
4. QUANTITY PER CARTON TO APPEAR ON ALL LABELS.
5. PACK 1 PER CONTAINER, 150 MAX. PER PALLET, PACKING ASSY: 87855173, 30 CONTAINERS PER LAYER, 5 LAYERS PER PALLET, P.S. 88834200 AND 88834408.
6. CARTON LABELS MUST ALL FACE ONE DIRECTION TOWARD THE OPEN END OF THE PALLET. SEE P.S. 88834408.
7. NO PACKAGING TAPE OVER CARTON LABEL.

APPLICATION	B	LA	FR	A	S	C	E	B	A
THERMALLY PROTECTED	24	21	30	V	02	AF	5	3	0
CUSTOMER	FASCO DIST.								
CUSTOMER PART NO.	B30								

LEAD MATERIAL
 18 GA. 125°C 2/64 INSUL.
 X-LINKED POLY. BLK
 8.00/6.00 IN. LONG
 .56/.44 IN. STRIP

If Printed, this is an Uncontrolled Document.



ECO. NO.				TYPICAL PERFORMANCE TEST DATA IN FREE AIR				UNLESS OTHERWISE SPECIFIED DIMENSIONS ARE IN INCHES TOLERANCES ARE:			FASCO FASCO MOTORS GROUP AC MOTOR/BLOWER DIVISION				
REV.	DATE	APPROVAL		AT	115	VOLTS	60	HZ.	FRACTIONS ± 1/16	DECIMALS XX ± .01	ANGLES XXX ± .005	APPROVALS	DATE	CONFIDENTIAL: DO NOT DUPLICATE OR DISCLOSE TO THIRD PARTIES WITHOUT WRITTEN PERMISSION OF FASCO MOTORS GROUP, AC MOTOR/BLOWER DIVISION.	
44	2/26/2013	SDM/BGP			R.P.M.							VLL	04/04/2005	TITLE BLOWER ASSEMBLY	
45	4/3/2013	SDM/KSA				WATTS						ATM	04/04/2005	SIZE B	DWG. NO. 7021 2366
46	9/9/2013	MLS/PLA										FINISH COLOR BLACK		REV. 47	
47	7/7/2014	BGP/PLA										DO NOT SCALE DRAWING		SHEET 1 OF 1	
						BLOWER WEIGHT 3 1/2 LBS.									
								END PLAY .050/.010							