

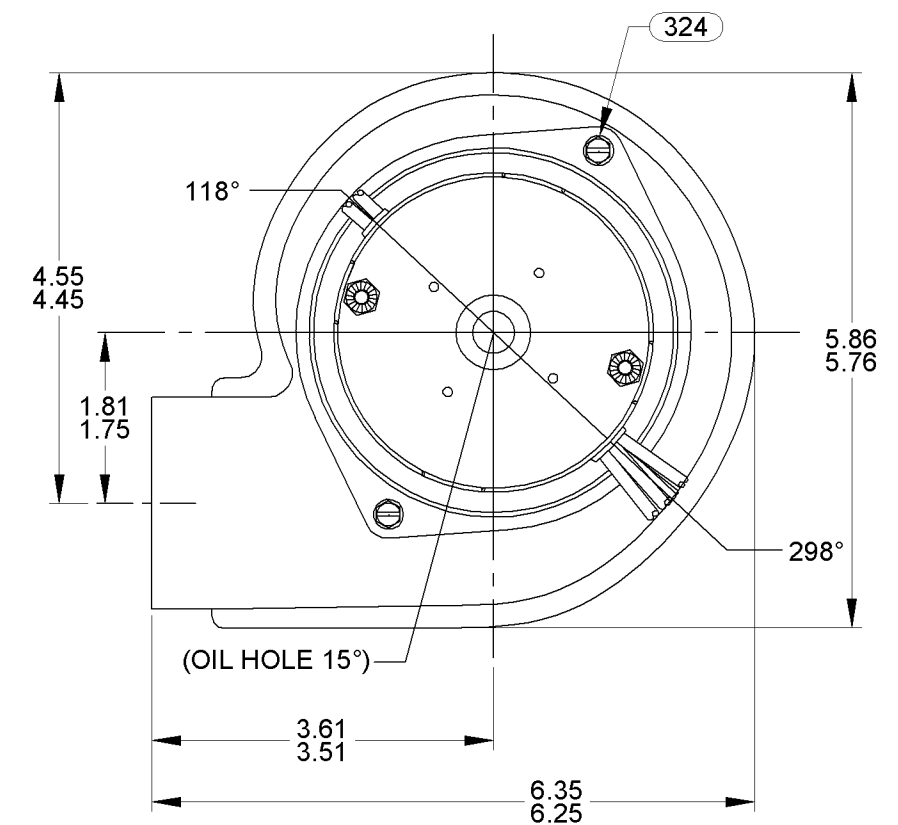
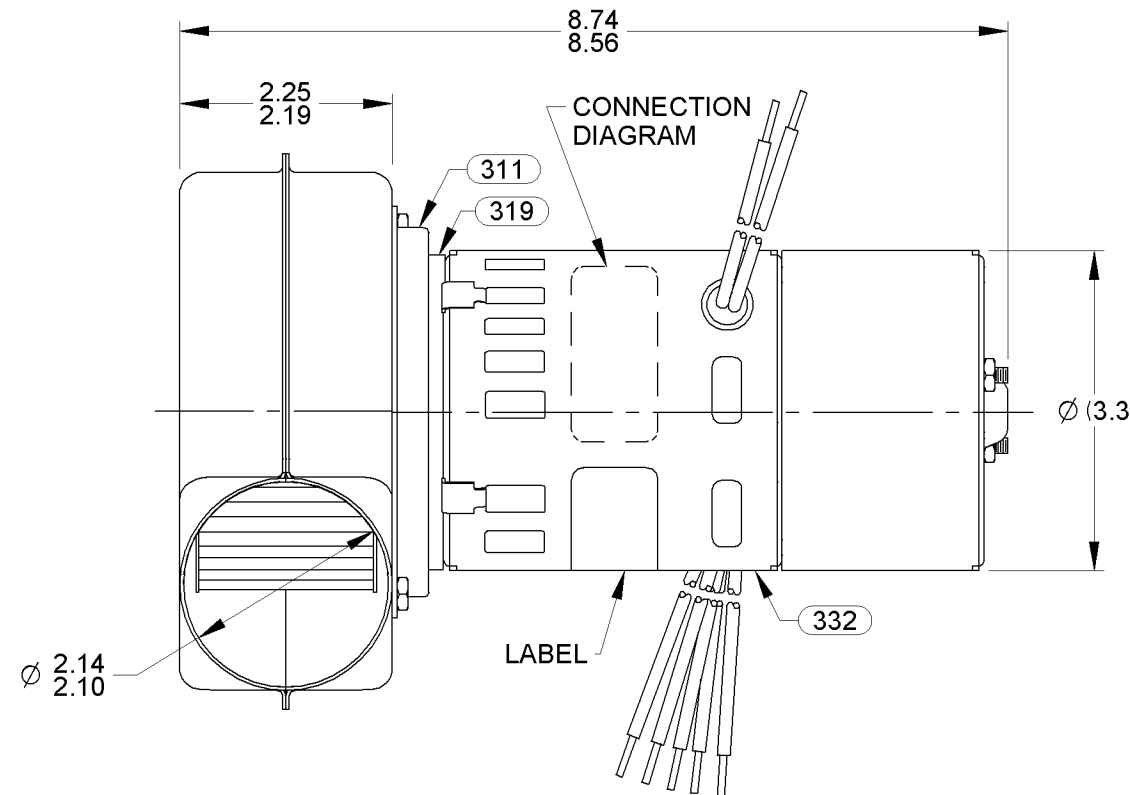
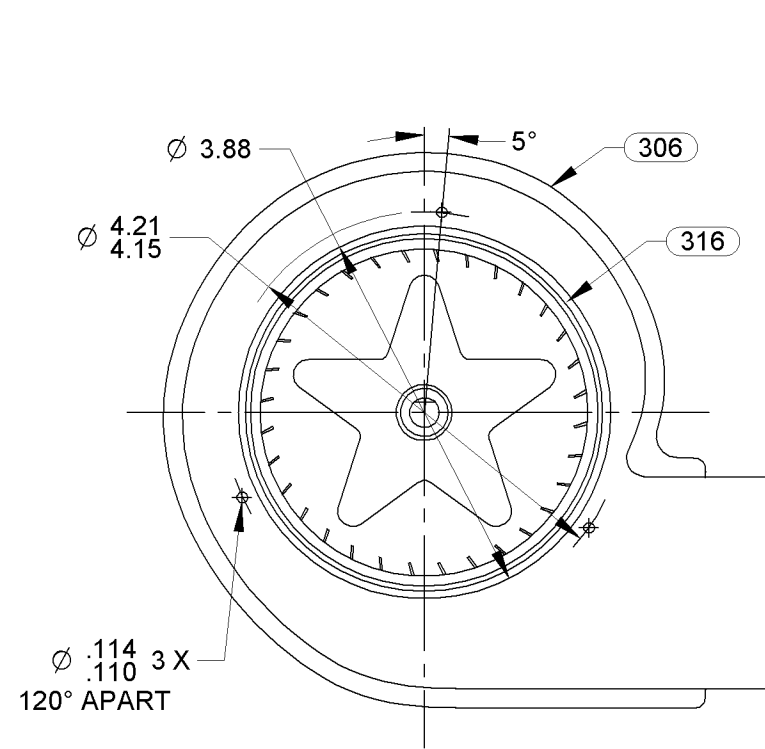
NOTES:

1. PACK 1 PER CONTAINER, 120 MAX. PER PALLET, PACKING ASSY. 87854000, 20 CARTONS PER LAYER, 6 LAYERS PER PALLET, P.S. 88834200 AND P.S. 88834408.
2. SWITCH MUST MAKE CONTACT BETWEEN 1800-2500 RPM AS SPEED INCREASES AND BREAK 50-500 RPM BELOW ACTUAL MAKE.
3. SWITCH MECHANISM MUST GIVE QUIET OPERATION ABOVE 2500 RPM.
4. IMPELLER TO BE ASSEMBLED FROM EDGE OF MOUNTING CUP USING A .125 GAGE.
5. CARTON LABELS MUST ALL FACE ONE DIRECTION TOWARD THE OPEN END OF THE PALLET. SEE P.S. 88834408.
6. NO PACKAGING TAPE OVER CARTON LABEL.

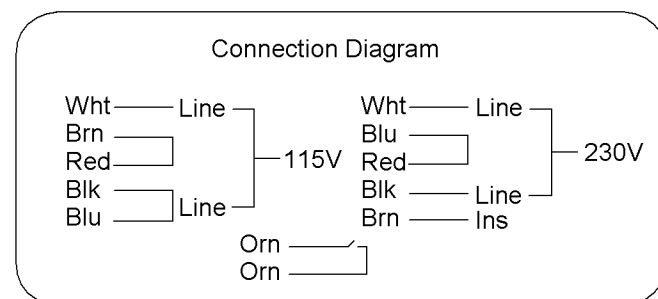
APPLICATION									
THEMALLY PROTECTED CLASS "B" INSULATION									
B	LA	FR	A	S	C	E	B	A	
06	21	34	F	02	OR	5	3	0	
CUSTOMER FASCO DIST.									
CUSTOMER PART NO. B23617									

LEAD MATERIAL  
 18 GA. 125°C 2/64 INSUL.  
 X-LINK POLY. (1) WHT  
 (1) BRN, (1) RED,  
 (1) BLK, (1) BLU,  
 8.00/6.00 IN. LONG  
 .56/.44 IN. STRIP

SWITCH LEADS  
 18 GA. 125°C 4/64 INSUL.  
 EPDM. ORN  
 (1) 9.50/7.50 IN. LONG  
 (1) 8.00/6.00 IN. LONG  
 W/ .31/.19 IN. STRIP



61305023



TYPICAL PERFORMANCE TEST DATA IN FREE AIR

ECO. NO.	REV.	DATE	APPROVAL	AT 115/230 VOLTS 60 HZ.			
				R.P.M.	WATTS	AMPS	
4001554	38	03/30/11	MLM/PLA	115V	2839	70	.87
4003446	39	10/17/11	PLA/SED				
4008176	40	2/7/2013	SDM/BGP				
0057744	41	8/18/2014	MLS/KSA				
				BLOWER WEIGHT 4.0 LBS.			END PLAY .008/.025

UNLESS OTHERWISE SPECIFIED DIMENSIONS ARE IN INCHES TOLERANCES ARE:  
 FRACTIONS ± 1/16 DECIMALS XX ± .01 ANGLES ± 1°  
 XXX ± .005

APPROVALS	DATE
DRAWN MLM	10/23/06
CHECKED PLA	10/23/06
FINISH COLOR	BLACK

**FASCO** FASCO MOTORS GROUP  
 AC MOTOR/BLOWER DIVISION

CONFIDENTIAL: DO NOT DUPLICATE OR DISCLOSE TO THIRD PARTIES WITHOUT WRITTEN PERMISSION OF FASCO MOTORS GROUP, AC MOTOR/BLOWER DIVISION.

TITLE BLOWER ASSEMBLY		
SIZE B	DWG. NO. 7021 5703	REV. 41
DO NOT SCALE DRAWING		SHEET 1 OF 1