

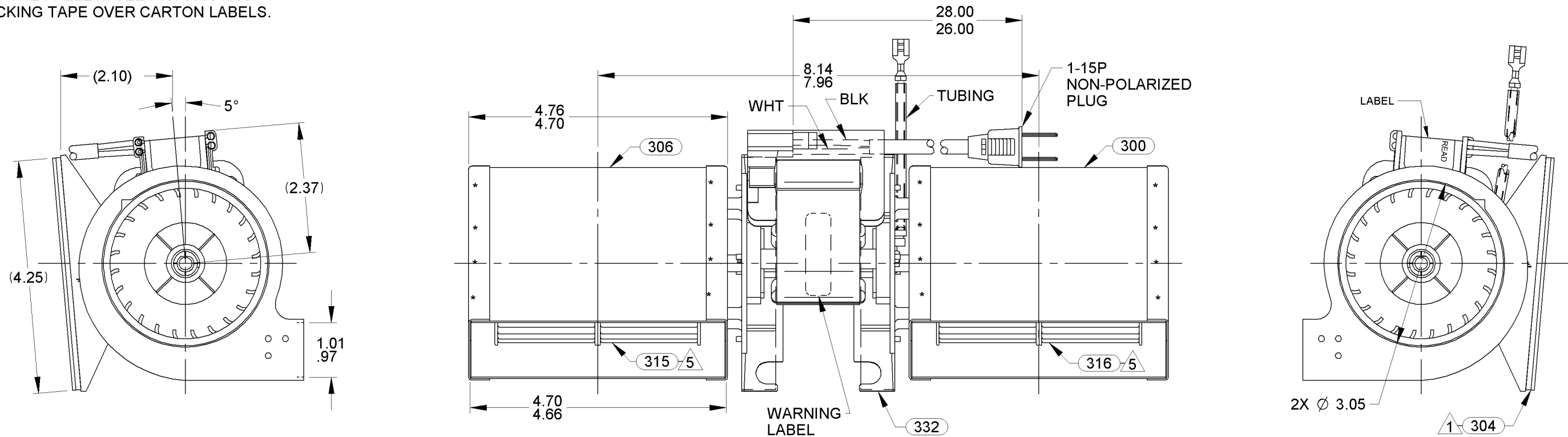
NOTES:

1. REMOVE ADHESIVE BACKING AND APPLY FLUSH TO OUTSIDE OF MOTOR MOUNTING PADS.
2. TORQUE SCREWS 30 TO 40 IN/LBS WHEN ASSEMBLING MOTOR TO HOUSING.
3. BLOWER EXHAUST OF EACH HOUSING MUST BE IN THE SAME PLANE WITHIN .120.
4. IMPELLER TO BE FLUSH WITH END OF SHAFT.
5. CARE MUST BE EXERCISED SO IMPELLERS ARE INSTALLED IN THE PROPER ROTATION AND COMPRESSION IS ON INLET SIDE OF EACH BLOWER.
6. PACK 1 PER CONTAINER, 105 MAX. PER PALLET, PACKING ASSY. 87854499, 15 CONTAINERS PER LAYER, 7 LAYERS PER PALLET, P.S. 88834200.
7. PLACE (1) PC 406 INSIDE PC 386. PACK (1) PC 386 TEMPERATURE SWITCH KIT PER BLOWER.
8. CARTON LABELS MUST ALL FACE ONE DIRECTION TOWARD THE OPEN END OF THE PALLET. SEE P.S. 88834408.
9. NO PACKING TAPE OVER CARTON LABELS.

APPLICATION									
THERMALLY PROTECTED CLASS "B" INSULATION									
B	LA	FR	A	S	C	E	B	A	
64	58	52	X	06	XX	5	3	0	
CUSTOMER FASCO DIST.									
CUSTOMER PART NO. B160									

CORDSET MATERIAL
18 GA. 105°C 2/64 INSUL.
SJTO BLK JACKET

GROUND LEAD MATERIAL
18 GA. 125°C 2/64 INSUL.
X-LINK POLY. GRN/YEL
27.25/26.75 IN. LONG
W/ FSPADE TERM. 89039008
AMP 42660-2



TYPICAL PERFORMANCE TEST DATA IN FREE AIR

ECO. NO.	REV.	DATE	APPROVAL	AT 115 VOLTS 60 HZ.			APPROVALS	DATE
				R.P.M.	WATTS	AMPS		
C439900	04	08/23/2010	BGP/SDM	2900	72	1.1	SDM	05/20/2008
4002328	05	06/13/2011	SDM/PLA					
4007513	06	12/03/2012	MLM/SED				VLL	05/20/2008
4012445	07	5/9/2014	MLS/RPT					
				BLOWER WEIGHT 5 LBS.	END PLAY .030/.010		FINISH COLOR BLOWER - BLACK MOTOR - NATURAL	

UNLESS OTHERWISE SPECIFIED DIMENSIONS ARE IN INCHES TOLERANCES ARE:
FRACTIONS ± 1/16 DECIMALS XX ± .01 ANGLES ± 1°
XXX ± .005

FASCO FASCO MOTORS GROUP
AC MOTOR/BLOWER DIVISION

CONFIDENTIAL: DO NOT DUPLICATE OR DISCLOSE TO THIRD PARTIES WITHOUT WRITTEN PERMISSION OF FASCO MOTORS GROUP, AC MOTOR/BLOWER DIVISION.

TITLE BLOWER ASSEMBLY		
SIZE B	DWG. NO. 7058 1171	REV. 07
DO NOT SCALE DRAWING		SHEET 1 OF 1