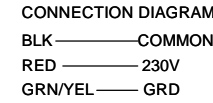
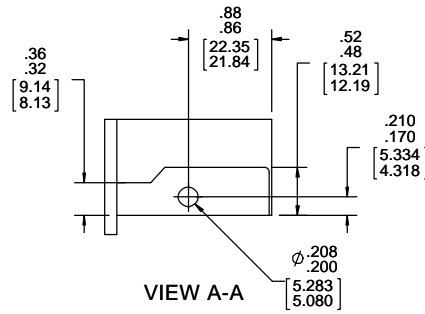


THERMALLY PROTECTED  
CLASS "B" INSULATION  
416 SS SHAFT  
SEALED BALL BEARING

APPLICATION:	ROOFTOP PACKAGE UNIT	B	LA	FR	A	S	C	E	B	A
CUSTOMER:	FASCO DIST.	GS	21	47	V	04	EY	5	0	0
CUSTOMER PN:	A373									

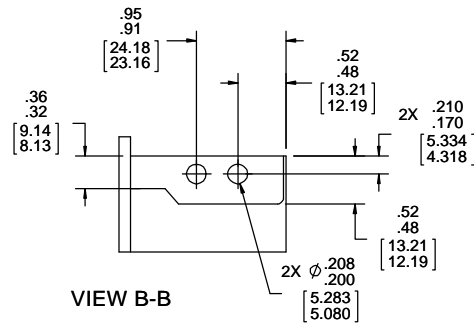
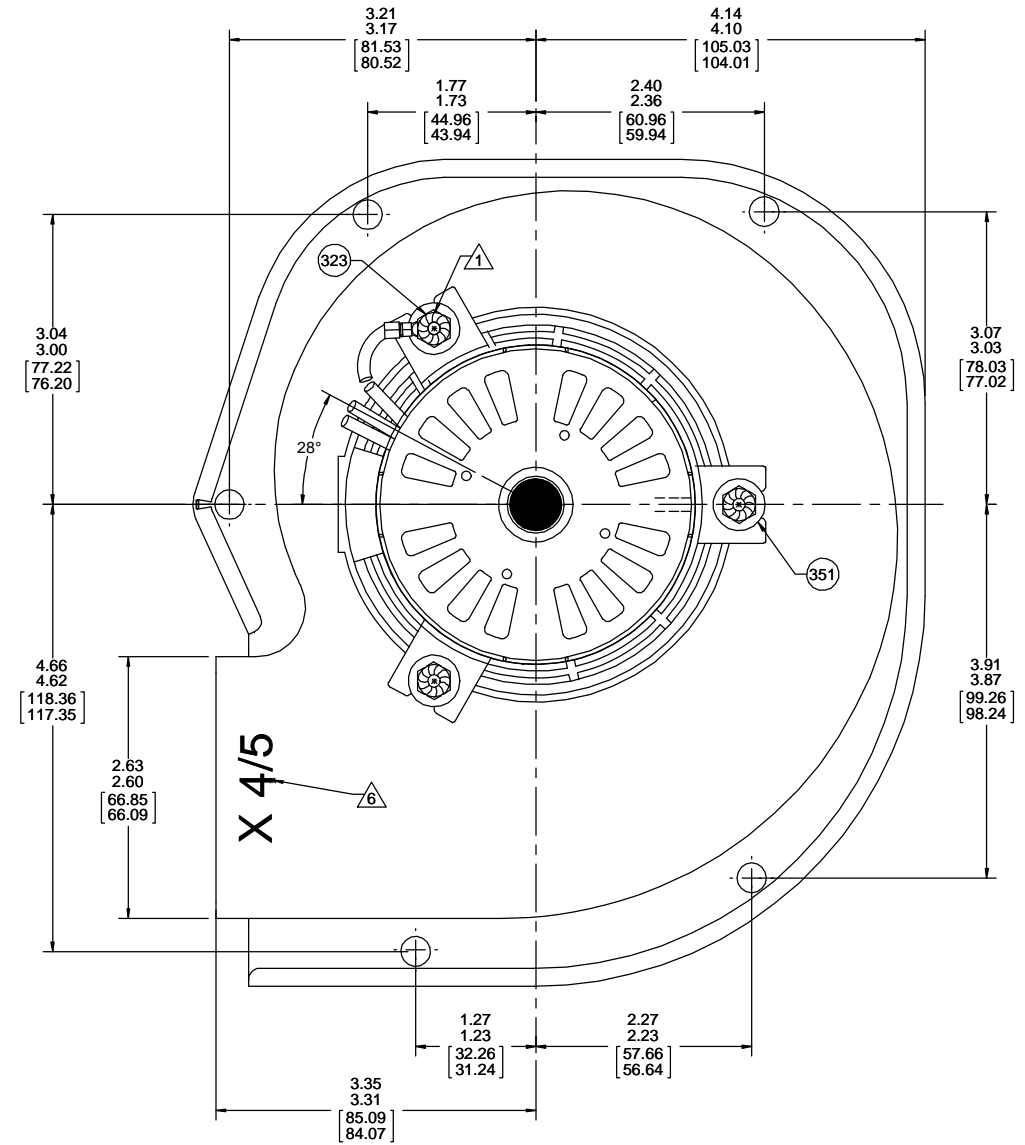
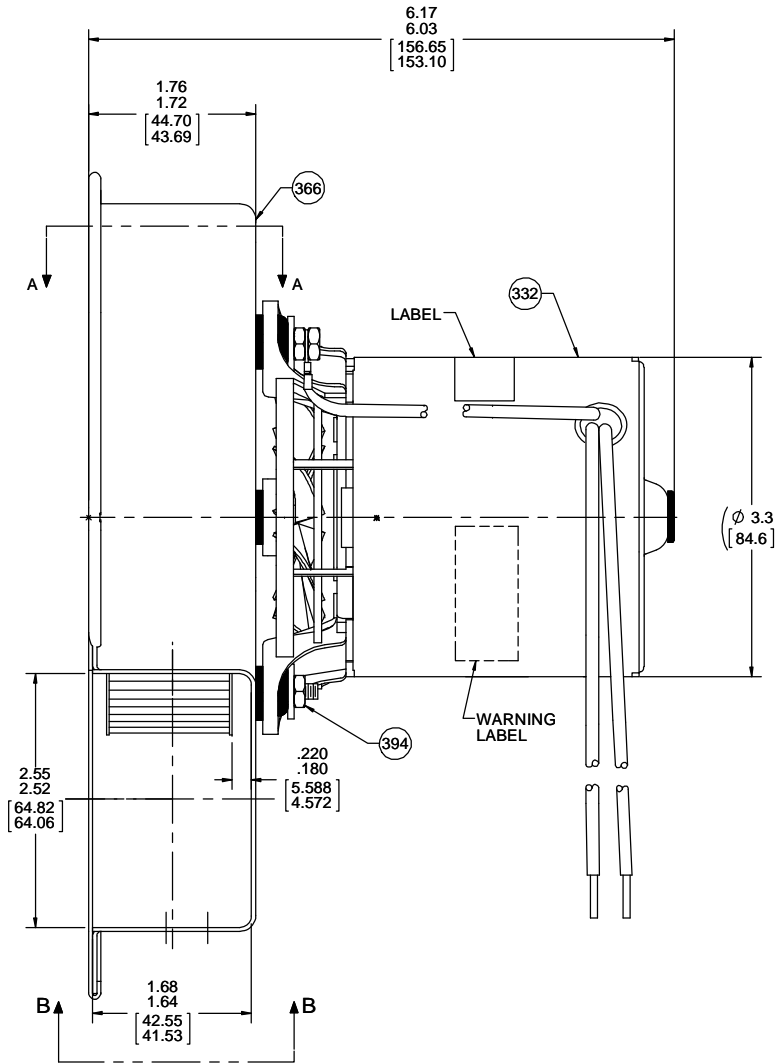
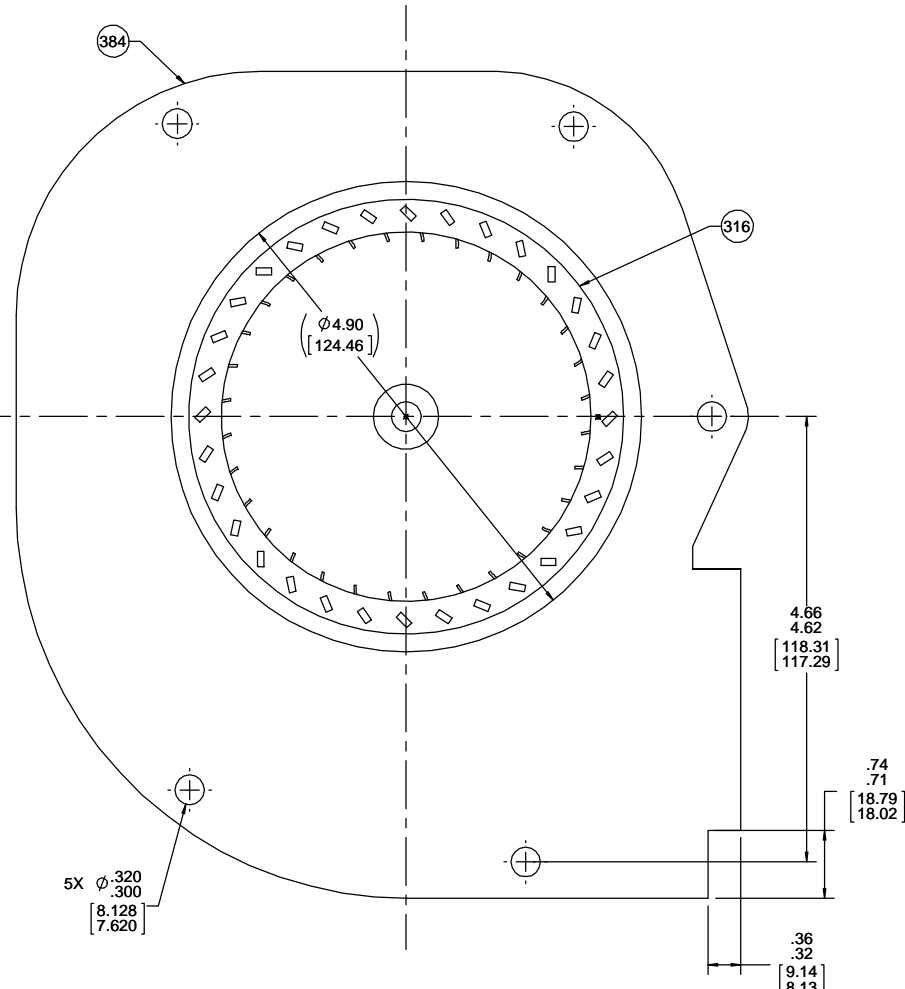
NOTES:

- ASSEMBLE GROUND STRAP BETWEEN (2) PC 323 NUTS.
- 100% HYPOT 1500V FOR ONE SECOND.
- AUDIT VIBRATION PERIODICALLY TO INSURE .0025 MAX. DISPLACEMENT.
- INSPECTION TEST FIXTURING IS REQUIRED.
- PACK 1 PER CONTAINER, 80 MAX. PER PALLET, PACKING ASSY.: 87854335, 16 CONTAINERS PER LAYER, 5 LAYERS PER PALLET, PER 88834200 AND 88834408.
- STAMP ON BLOWER HOUSING AS INDICATED X 4/5 1" INCH IN HEIGHT REF. IN BLACK INK.
- CARTON LABELS MUST ALL FACE ONE DIRECTION TOWARD THE OPEN END OF THE PALLET. SEE 88834408.
- NO PACKAGING TAPE OVER NAMEPLATE.
- BLOWER - ALUMINIZED STEEL, MOTOR - FLAT BLACK



LEAD MATERIAL  
18 GA. 125° C 2/64 INSUL.  
EPDM, (1) BLACK, (1) RED  
14.00/12.00 [355.60/304.80]  
.56/.44 [14.22/11.18] STRIP

GROUND LEAD  
18 GA. 125° C 2/64 INSUL.  
X-LINKED POLY., GRN/YEL  
6.00/4.00 [152.40/101.60]  
RING TERM. 89020156  
AMP 61794-1



TYPICAL PERFORMANCE TEST DATA WITH 1 5/16" INLET RESTRICTOR			
AT 240 VOLTS 60 Hz			
	RPM	WATTS	AMPS
	3242	80	.44
BLOWER WEIGHT	6.5 LBS.		ENDPLAY .XX/XX

DRAWING REVISION HA	REVISION BY FDP	DATE 9/25/2017	TOLERANCES UNLESS OTHERWISE SPECIFIED: DEC. INCH mm ANGLE .X ±0.1 #2.5 .XX ±0.01 #0.25 .XXX ±0.005 #0.127 XXXX ±0.0005 #0.0127	DRAWN BY PLA	DATE 2/9/2017	APPROVED BY MLC	DATE 2/9/2017	DESCRIPTION OUTLINE	MATERIAL SEE NOTE 9	PROCESS/FINISH SEE NOTE 9
ECO-0131714			APPROVED BY SDM	DATE 9/25/2017	CHANGED AMPS TO 0.44 LIKE NOMINAL		REGAL BELLOI AMERICA, INC. Regal Beloit America, Inc.		THIRD ANGLE PROJECTION	
BLOWER WEIGHT 6.5 LBS.			ENDPLAY .XX/XX		DRAWING NUMBER 702111886		SHEET 1 OF 1			