

NOTES:

1. PACK 1 PER CONTAINER, 36 MAX. PER PALLET, PACKING ASSY:8785-4916  
12 CARTONS PER LAYER, 3 LAYERS PER PALLET. P.S. 8883-4200 AND  
P.S. 8883-4408
2. INSPECTION TEST FIXTURE IS REQUIRED.
3. CARTON LABELS MUST ALL FACE ONE DIRECTION TOWARD  
THE OPEN END OF THE PALLET. SEE P.S. 8883 4408.
4. NO PACKAGING TAPE OVER CARTON LABEL.

APPLICATION	HI RANGE 90 + GAS FURNACE							
B	LA	FR	A	S	C	E	B	A
PF	62	30	V	03	DL	6	3	0
CUSTOMER								FASCO DIST.
CUSTOMER PART NO.								A368

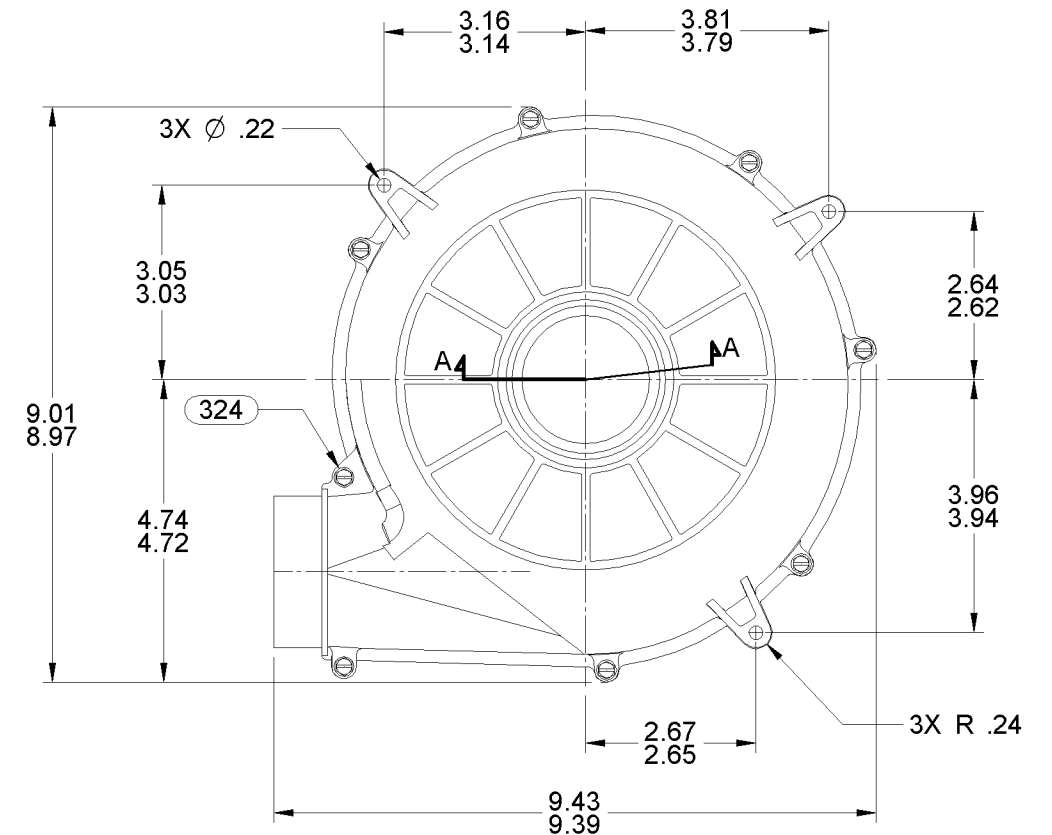
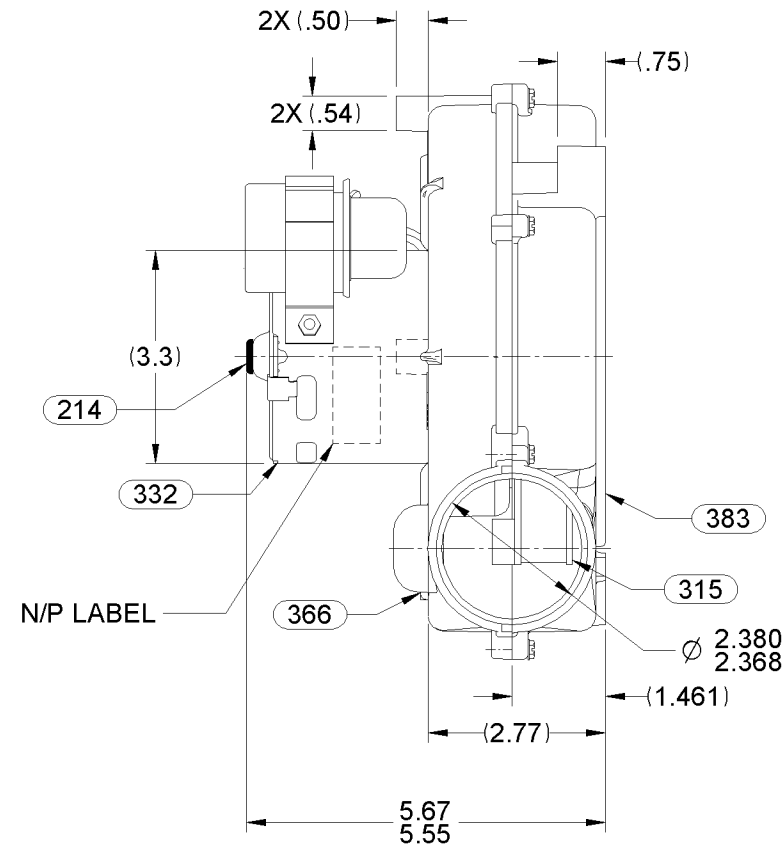
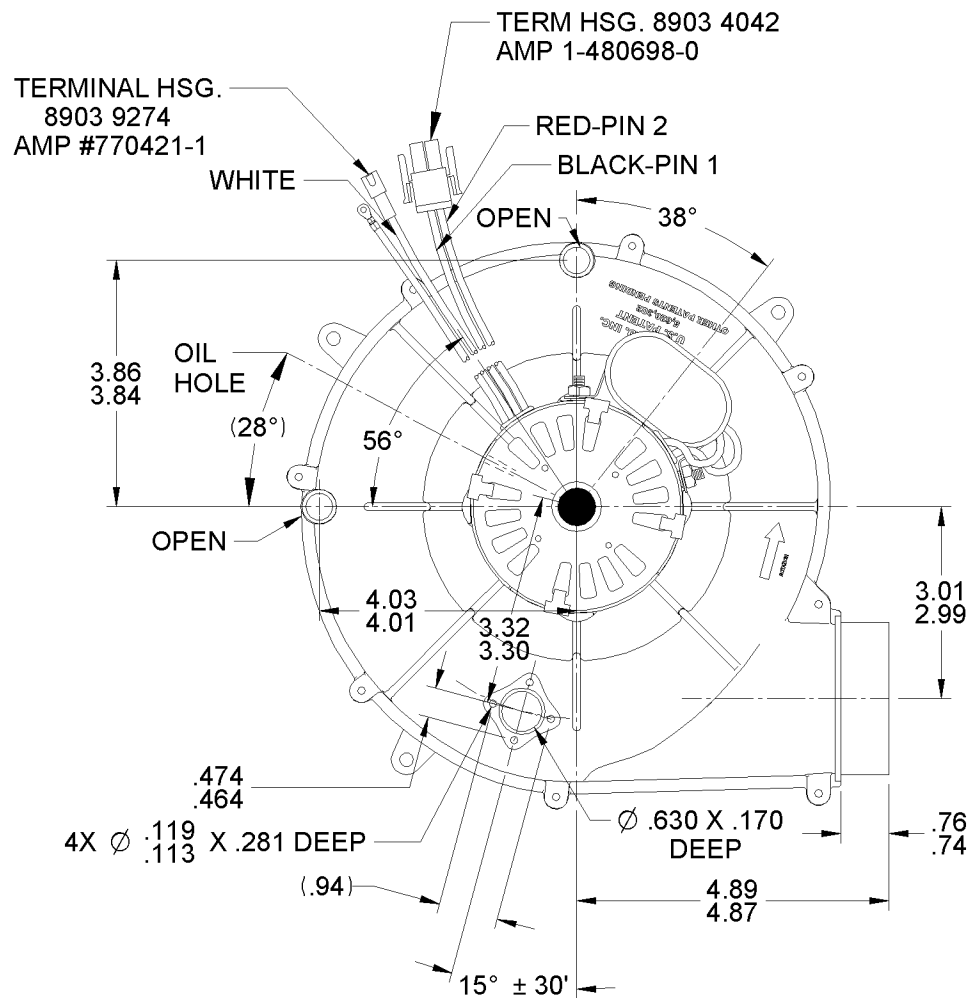
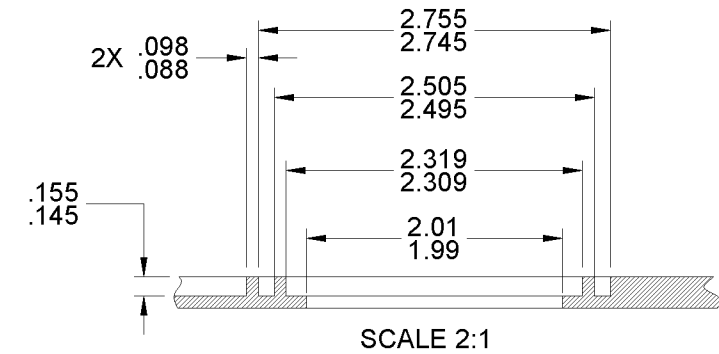
THERMALLY PROTECTED  
CLASS "B" INSULATION  
303 S.S. SHAFT

LEAD MATERIAL  
18 GA. 125° C. 4/64 INS.  
EPDM, (1) WHITE, 7.00/5.00"  
W/PIN TERM. 8903 9166  
AMP #350538-1  
(1) BLACK, (1) RED 6.00/4.00"  
W/PIN TERM. 8903 9166  
AMP #350538-1

CAPACITOR LEAD  
18 GA. 125° C. INS.  
X-LINKED POLY, (2) BROWN  
6.00/5.00" W/FFLAG TERM.  
8903 4045 AMP #42742-2

GROUND LEAD  
18 GA. 125° C. 2/64 INS.  
X-LINKED POLY, GREEN/YELLOW  
15.00/13.00" W/RING TERM.  
8903 9009, AMP #40955

INLET DETAIL A-A



Connection Diagram

- Wht — Common
- Blk — High
- Red — Low
- Brn —
- Brn —
- Grn/Yel — Grd

TYPICAL PERFORMANCE TEST DATA  
WITH 1.25 I.D. INLET RESTRICTOR

ECO. NO.	REV.	DATE	APPROVAL
4007668	02	12/14/2012	SED/MLM
4011950	03	3/17/2014	SED/MLM

AT 115 VOLTS 60 HZ.			
	R.P.M.	WATTS	AMPS
HIGH	3440	60	.53
LOW	2900	39	.35
BLOWER WEIGHT	4 5/8 LBS.		END PLAY .030/.010

UNLESS OTHERWISE SPECIFIED DIMENSIONS ARE  
IN INCHES TOLERANCES ARE:  
FRACTIONS ± 1/16 DECIMALS .XX ± .01 ANGLES ± 1°  
XXX ± .005

APPROVALS		DATE
DRAWN	ATM	9/23/2005
CHECKED	SED	9/23/2005
FINISH COLOR		FLAT BLACK

**FASCO** FASCO MOTORS GROUP  
AC MOTOR/BLOWER DIVISION

CONFIDENTIAL: DO NOT DUPLICATE OR DISCLOSE TO THIRD PARTIES WITHOUT  
WRITTEN PERMISSION OF FASCO MOTORS GROUP, AC MOTOR/BLOWER DIVISION.

TITLE BLOWER ASSEMBLY		
SIZE <b>B</b>	DWG. NO. 7062 5804	REV. 03
DO NOT SCALE DRAWING		SHEET 1 OF 2