

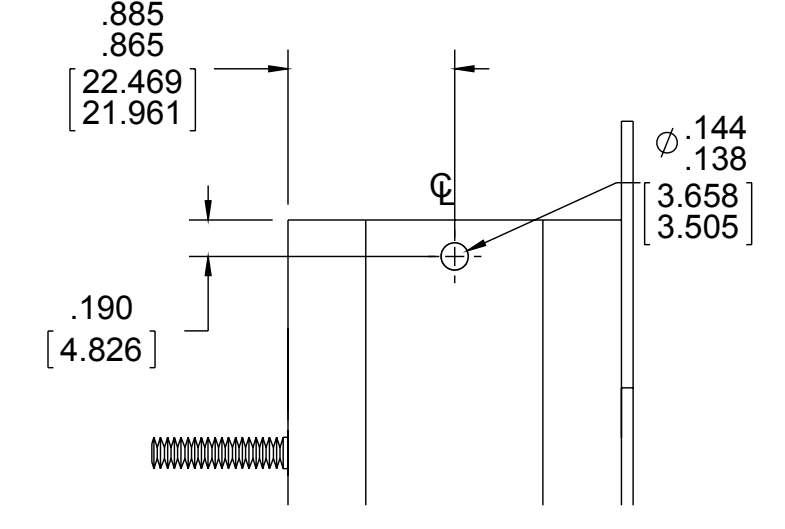
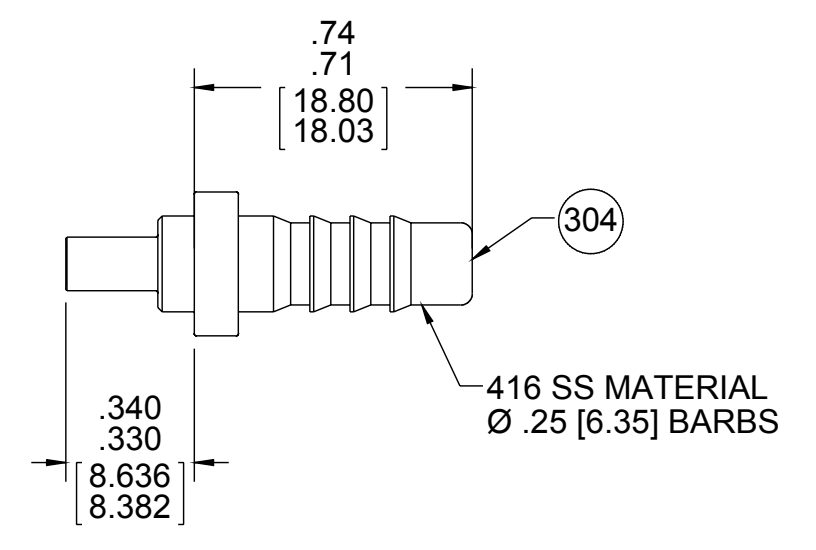
- NOTES:
1. STATIC TAP TO BE TIGHT & SECURELY FASTENED.
  2. NO STA-LOC ON IMPELLER OR FAN.
  3. STATIC TAP READING IS TO BE -1.60" CORRECTED TO STANDARD AIR (0.075 LB/FT<sup>3</sup>) WITH A 1 5/16" INLET RESTRICTOR.
  4. INSPECTION TEST FIXTURE REQUIRED.
  5. CRITICAL TO FUNCTION DIMENSIONS, INSPECT FOR COMPLIANCE.
  6. PACK 1 PER CONTAINER, 64 MAX. PER PALLET, 16 CONTAINERS PER LAYER, 4 LAYERS PER PALLET, PACKING ASSY. 87854335, P.S. 88834200 AND P.S. 88834408.
  7. CARTON LABELS MUST ALL FACE ONE DIRECTION TOWARD THE OPEN END OF THE PALLET. SEE P.S. 88834408.
  8. NO PACKING TAPE OVER CARTON LABEL.
  9. BLOWER - NATURAL, MOTOR - FLAT BLACK.

THERMALLY PROTECTED  
SEALED BALL BEARING  
CLASS B INSULATION  
416 SS SHAFT

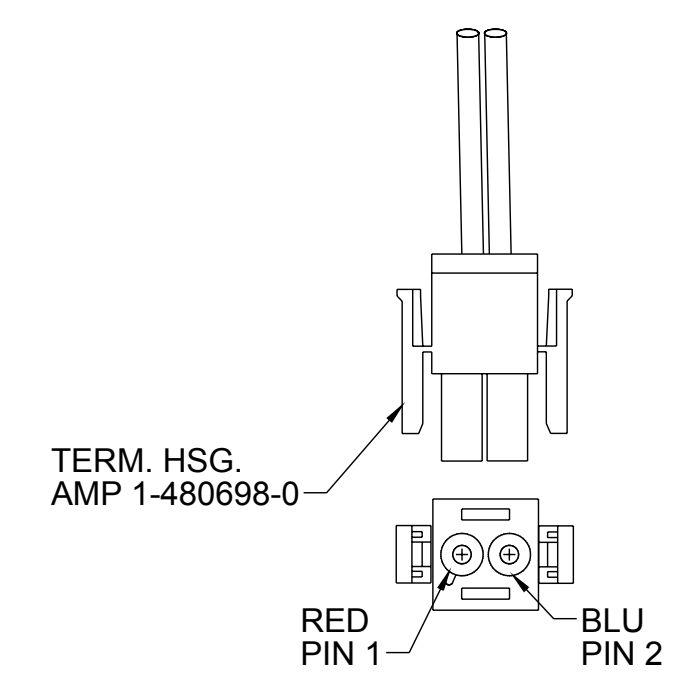
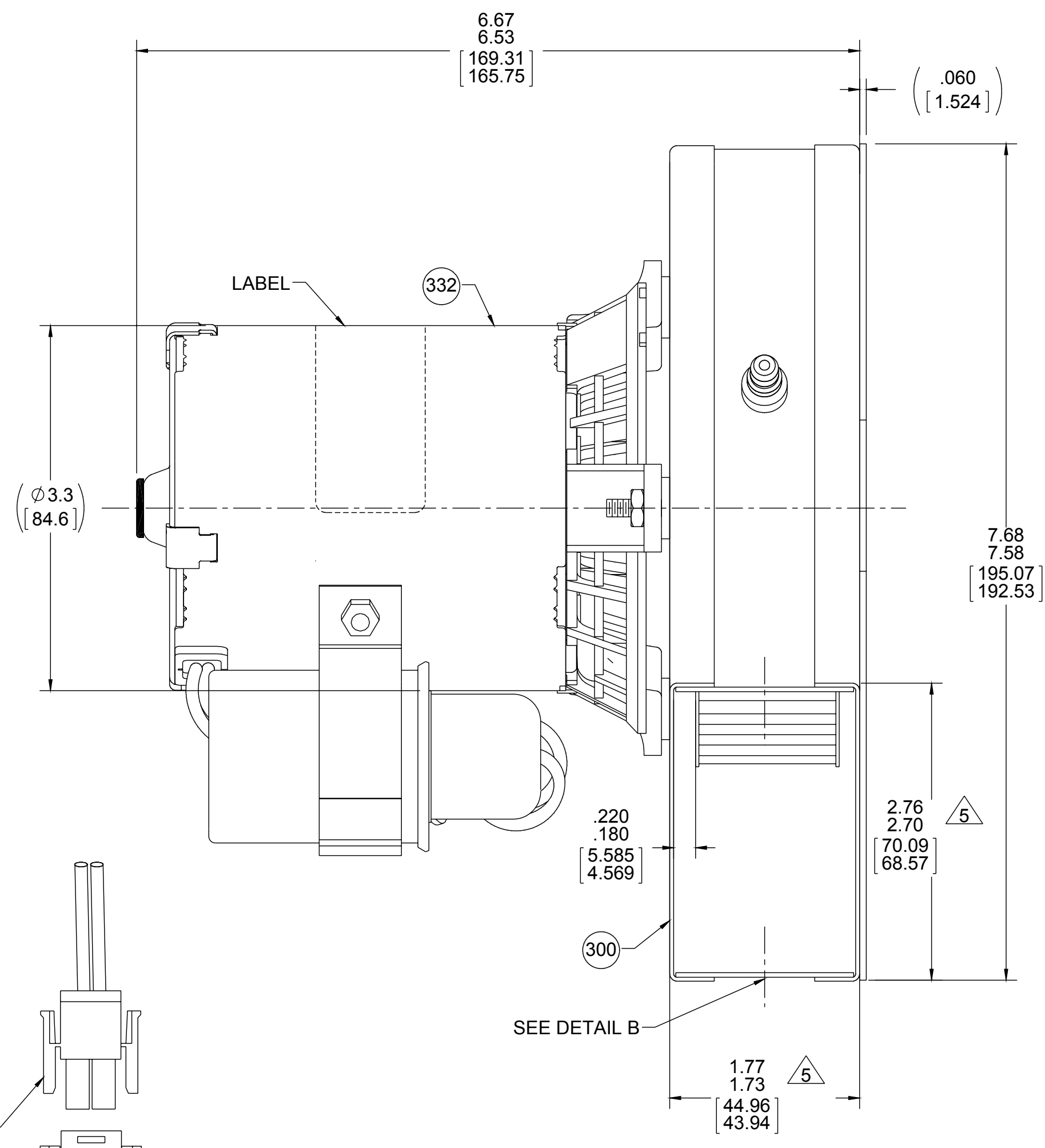
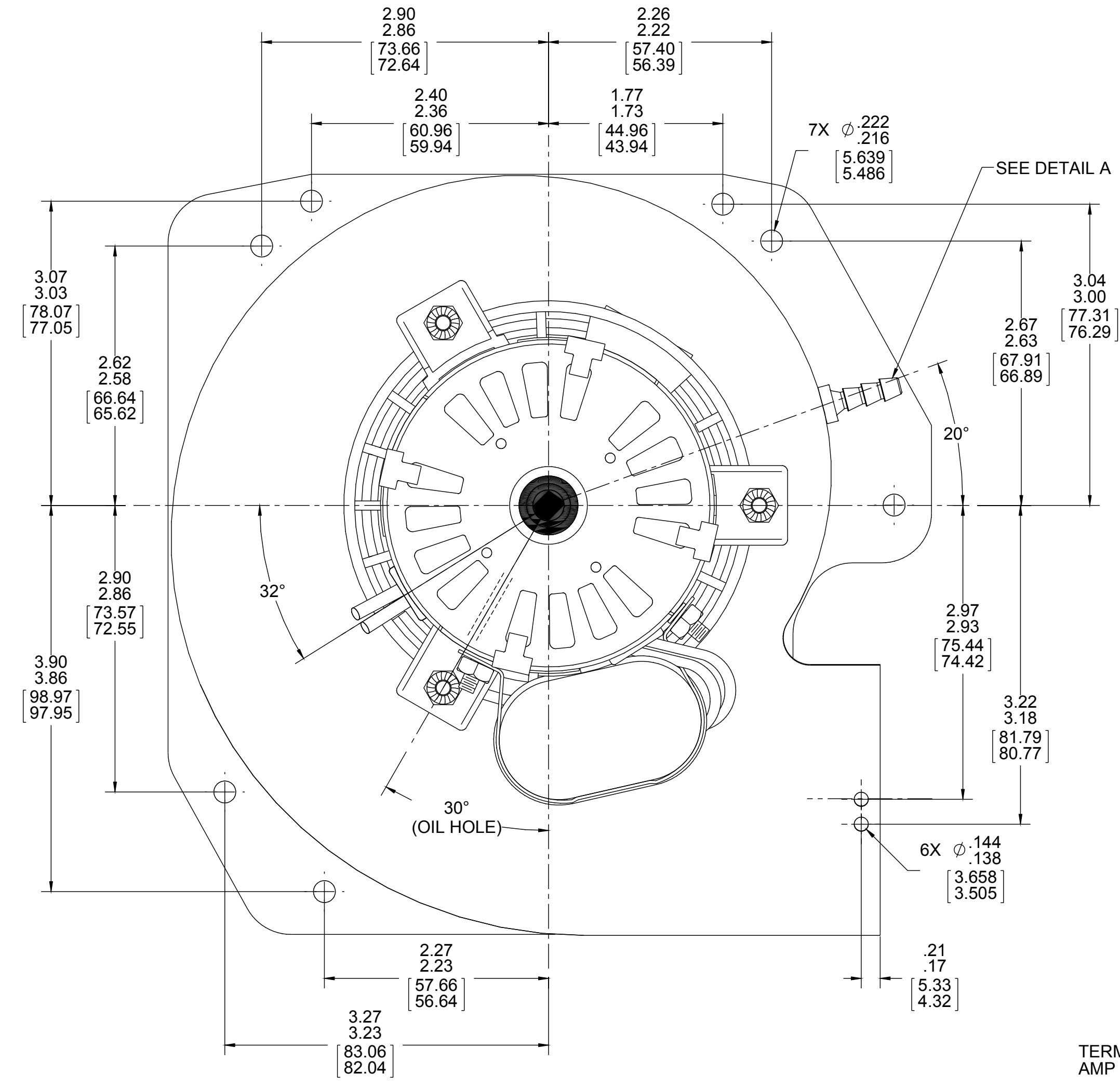
APPLICATION:		B	LA	FR	A	S	C	E	B	A
CUSTOMER:	FASCO DIST.	12	62	47	V	03	BT	5	0	0
CUSTOMER PN:	A330									

CAPACITOR LEADS  
18 GA. 125°C 2/64 INSUL.  
X-LINKED POLY. (2) BROWN  
7.00/5.00 [177.80/127.00] IN. [mm] LONG  
FFLAG TERM. 89034045  
AMP 42742-2

LEAD MATERIAL  
18 GA. 125°C 2/64 INSUL.  
X-LINKED POLY.  
RED & BLUE  
21.00/19.00 [533.40/482.60] IN. [mm] LONG  
W/PIN TERM. 89039085  
AMP 350218-1



DETAIL B  
1:1



TYPICAL PERFORMANCE TEST DATA WITH A 1 5/16" INLET RESTRICTOR			
AT 230 VOLTS 60 Hz			
	RPM	WATTS	AMPS
	3517	65.4	.29
BLOWER WEIGHT	6.0 LBS.		ENDPLAY .XX/.XX

DRAWING REVISION G	REVISION BY MLS	DATE 7/20/2015	TOLERANCES UNLESS OTHERWISE SPECIFIED: DEC. INCH. mm ANGLE .X ±0.1 [-2.5] .5 .XX ±0.01 [-0.25] 1 XXX ±0.005 [-0.127] 1.5 XXXX ±0.0005 [-0.0127] 2	DRAWN BY MLS	DATE 7/20/2015	APPROVED BY MLM	DESCRIPTION BLOWER ASSY	MATERIAL	PROCESS/FINISH SEE NOTES
ECO-0075446	APPROVED BY MLM	DATE 7/20/2015	REGAL™ Regal Beloit America, Inc.	DATE 7/20/2015	APPROVED BY MLM	DESCRIPTION BLOWER ASSY	MATERIAL	PROCESS/FINISH SEE NOTES	SIZE D
BLOWER WEIGHT 6.0 LBS.			ENDPLAY .XX/.XX	DATE 7/20/2015	APPROVED BY MLM	DESCRIPTION BLOWER ASSY	MATERIAL	PROCESS/FINISH SEE NOTES	DRAWING NUMBER 70625926
BLOWER WEIGHT 6.0 LBS.			ENDPLAY .XX/.XX	DATE 7/20/2015	APPROVED BY MLM	DESCRIPTION BLOWER ASSY	MATERIAL	PROCESS/FINISH SEE NOTES	SHEET 1 OF 1