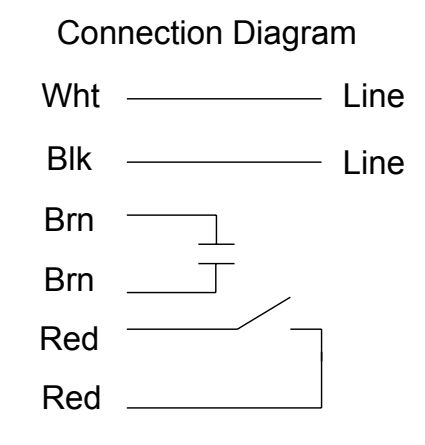


THERMALLY PROTECTED  
CLASS "B" INSULATION  
SEALED BALL BEARING  
416 SS SHAFT

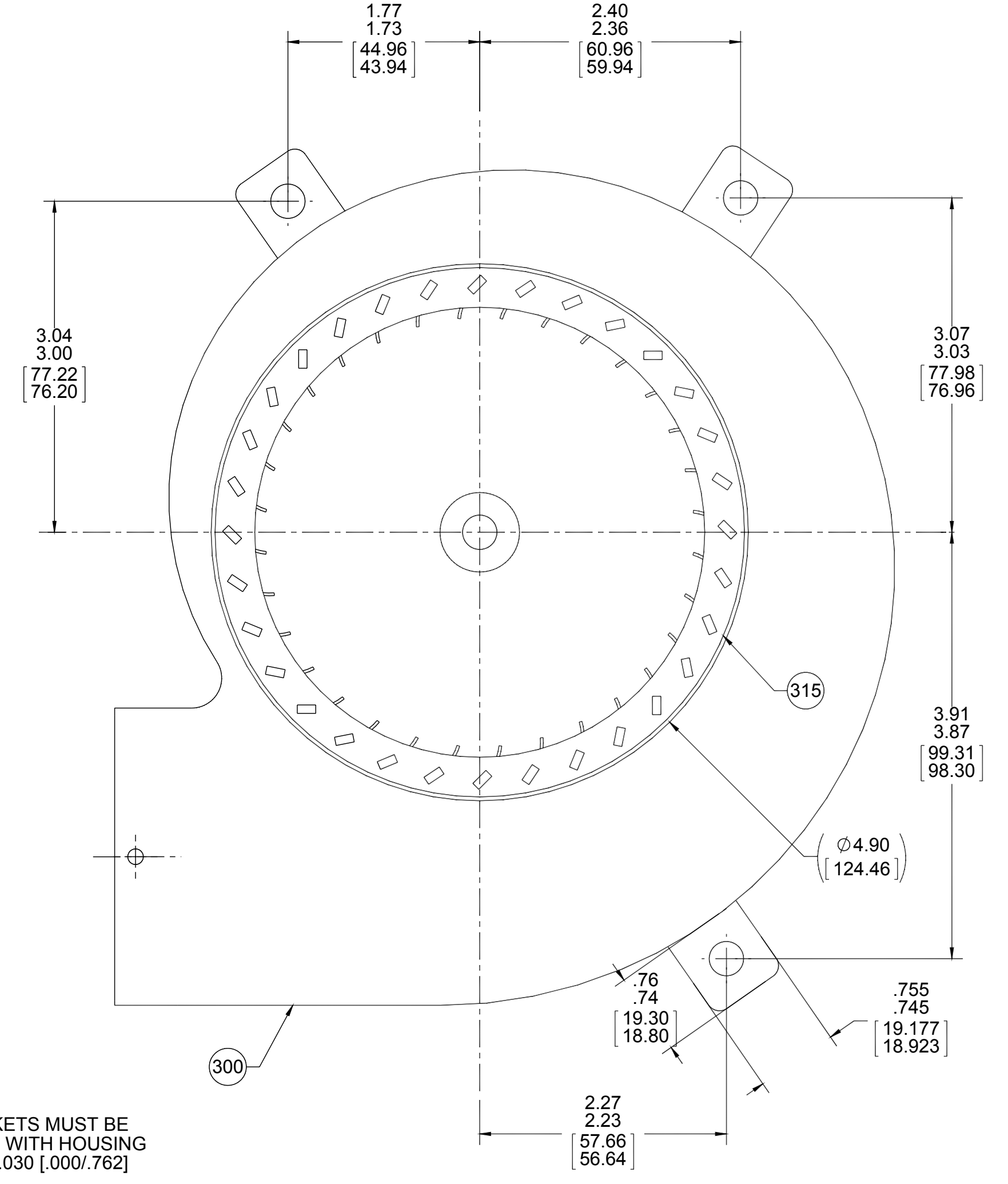
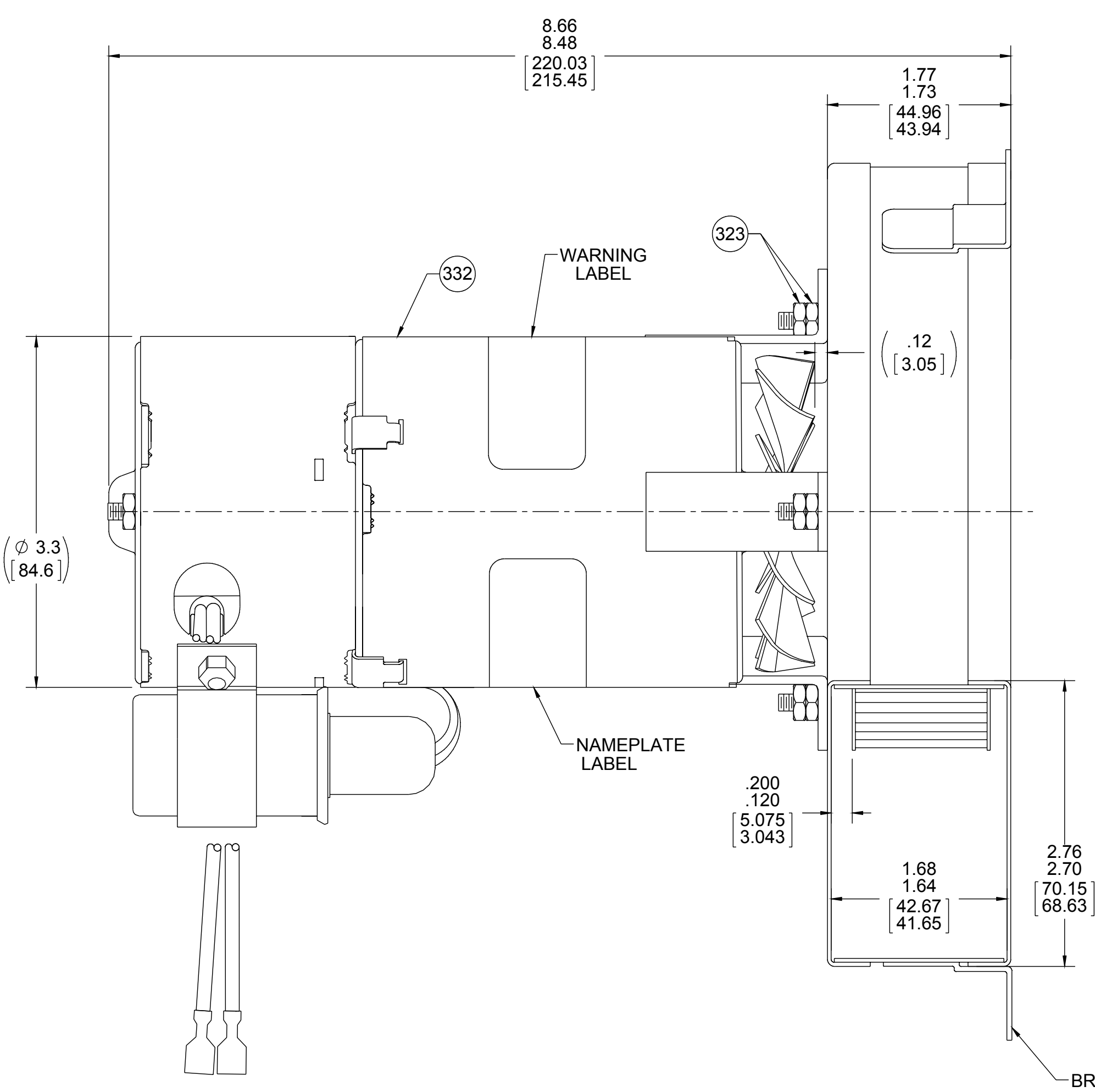
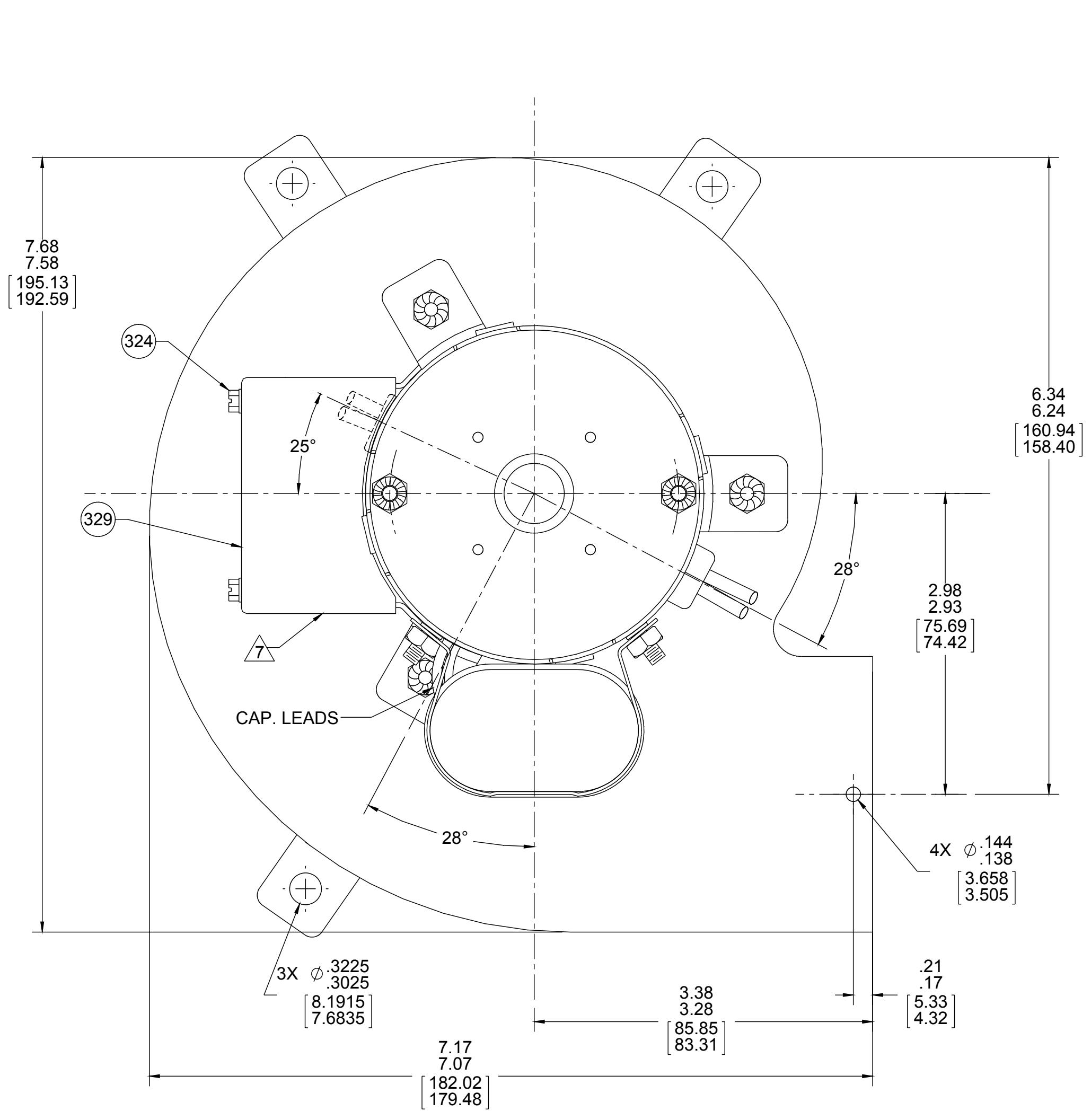
APPLICATION:	FURNACE	B	LA	FR	A	S	C	E	B	A
CUSTOMER:	FASCO DIST.	12	62	34	V	03	BT	5	0	0
CUSTOMER PN:	A324									

- NOTES:
- NO STA-LOC REQUIRED ON IMPELLER OR PM FAN.
  - SWITCH MUST MAKE CONTACT BETWEEN 1800-2500 RPM AS SPEED INCREASES AND BREAK 50-500 RPM BELOW ACTUAL MAKE.
  - SWITCH MECHANISM MUST GIVE QUIET OPERATION ABOVE 2500 RPM.
  - PACK 1 PER CARTON, 27 MAX. PER PALLET, PACKING ASSY: 87854925.
  - 9 CARTONS PER LAYER, 3 LAYERS PER PALLET, PER 88834200 AND 88834408.
  - COIL MOTOR LEADS INSIDE CONDUIT BOX AFTER TESTING & SECURE COVER WITH PC 324 SCREWS. CAPACITOR 3 MFD, 370 VAC.
  - ONE KNOCKOUT REMOVED AS SHOWN.
  - MAX. VIBRATION .0025 IN.
  - CARTON LABELS MUST ALL FACE ONE DIRECTION TOWARD THE OPEN END OF THE PALLET. SEE 88834408.
  - NO PACKING TAPE OVER CARTON LABEL.
  - BLOWER: NATURAL, MOTOR: FLAT BLACK



LEAD MATERIAL  
18 GA. 125°C 2/64 INSUL.  
X-LINKED POLY. (1) WHITE  
AND (1) BLACK  
6.00/4.00 [152.40/101.60]  
.68/.56 [17.27/14.22] STRIP  
CAPACITOR LEADS  
(2) BROWN  
FFLAG TERM. 89034045  
AMP 42724-2

SWITCH LEADS  
18 GA. 105°C 3/64 INSUL.  
THERMO. (2) RED  
30.00/28.00 [762.00/711.20]  
FSPADE TERM 89034025  
AMP 2-520263-2



BRACKETS MUST BE  
FLUSH WITH HOUSING  
+0.00/-0.030 [0.000/.762]

TYPICAL PERFORMANCE TEST DATA  
IN FREE AIR

AT 230 VOLTS 60 Hz

RPM	WATTS	AMPS
3228	104	.44

BLOWER WEIGHT  
5 3/4 LBS.

ENDPLAY  
.XX/.XX

DRAWING REVISION H	REVISION BY PLA	DATE 1/12/2016	TOLERANCES UNLESS OTHERWISE SPECIFIED: DEC. INCH. mm ANGLE .XX +0.01 [-0.25] .XXX +0.005 [-0.127] XXXX +0.0005 [-0.0127]	DRAWN BY PLA	DATE 1/12/2016	REGAL™ Regal Beloit America, Inc.
ECO-0091577	APPROVED BY MLS	DATE 1/12/2016	REMOVED BURRS & BREAK SHARP EDGES: .003 [0.076] X 45° CORNER FILLETS: R.02 [5.1] MACHINED SURFACES: 125/32 mm SHOWN IN [BRACKETS]	APPROVED BY MLS	DATE 1/12/2016	DESCRIPTION BLOWER ASSY
<p>PROPRIETARY AND CONFIDENTIAL INFORMATION - THIS DOCUMENT IS THE PROPERTY OF REGAL BELOIT AMERICA, INC. OWNERSHIP AND CONTENT OWNERS PROPRIETARY INFORMATION. ANY PERSON, CORPORATION OR OTHER FIRM RECEIVING IT IS DEEMED TO HAVE AGREED TO ACCEPT IT AND ANY PART OF IT, SHALL NOT BE DISCLOSED TO ANY PERSON, CORPORATION OR OTHER ENTITY, DUPLICATED, AND/OR USED, EXCEPT AS EXPRESSLY APPROVED IN WRITING IN ADVANCE BY OWNER. THIS DOCUMENT SHALL BE RETURNED TO OWNER UPON REQUEST. IT MAY BE SUBJECT TO CERTAIN RESTRICTIONS UNDER APPLICABLE EXPORT CONTROL LAWS AND REGULATIONS.</p>			THIRD ANGLE PROJECTION	SIZE D	DRAWING NUMBER 70625920	PROCESS/FINISH SEE NOTE 11 SHEET 1 OF 1