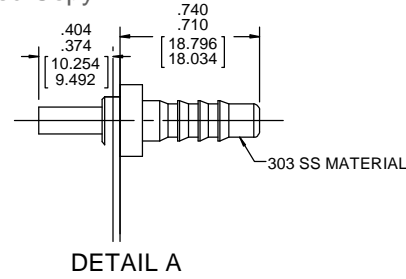


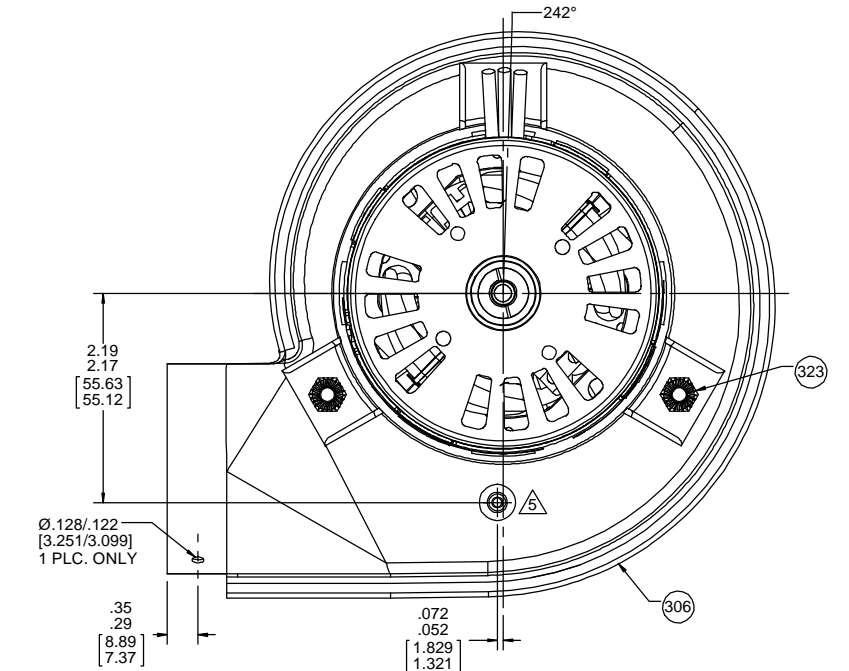
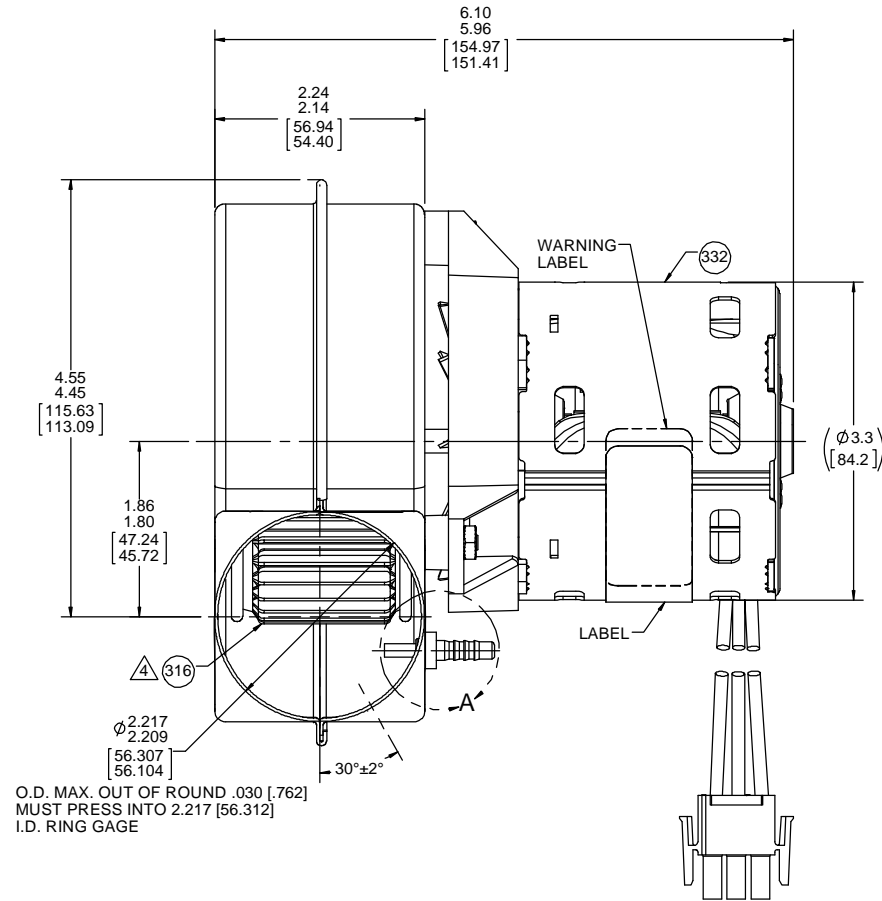
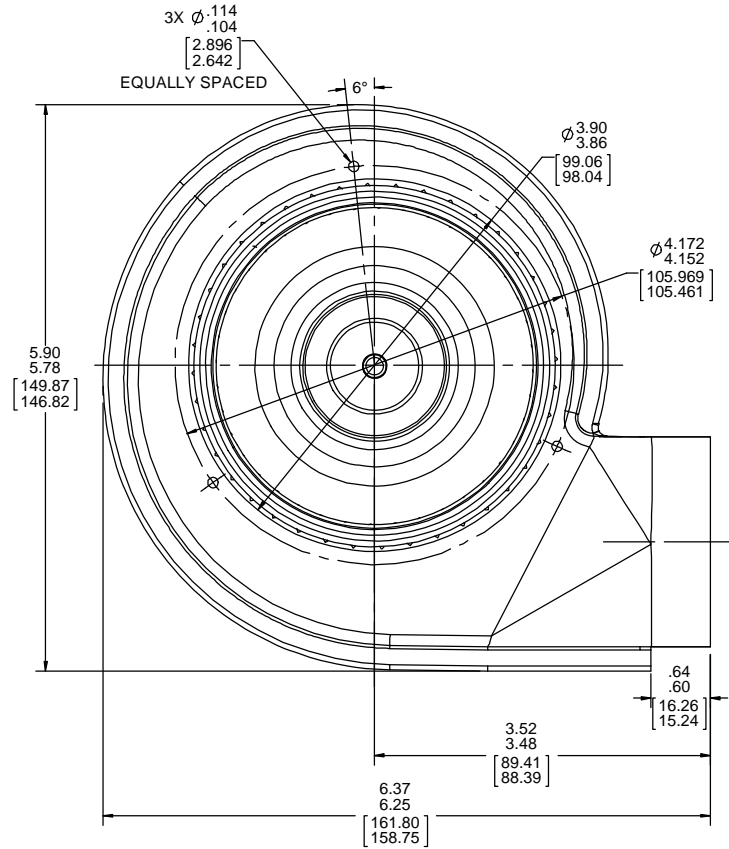
THERMALLY PROTECTED
CLASS "B" INSULATION
416 SS SHAFT

APPLICATION:		B	LA	FR	A	S	C	E	B	A
CUSTOMER:	FASCO DIST	GO	21	47	V	04	EX	6	1	0
CUSTOMER PN:	A322									

- NOTES:
- INSPECTION TEST FIXTURE IS REQUIRED.
 - PACK 1 PER CONTAINER, 30 CONTAINERS PER LAYER, 5 LAYERS PER PALLET, 150 MAX. PER PALLET, PACKING ASSY. 87854000, PER 88834200.
 - STATIC TAP READING IS TO BE -1.50 MINIMUM CORRECTED TO STANDARD AIR (0.075 LB/FT³) WITH A 2 1/16 INLET RESTRICTOR ON HIGH SPEED.
 - IMPELLER LOCATION TO BE .125/.085 [3.175/2.159] FROM INSIDE SHELL.
 - PUSH MOTOR TOWARDS STATIC TAP WHEN ASSEMBLING.
 - CARTON LABELS MUTS ALL FACE ONE DIRECTION TOWARD THE OPEN END OF THE PALLET. SEE 88834408.
 - NO PACKAGING TAPE OVER CARTON LABEL.
 - BLOWER - ALUMINIZED, MOTOR - FLAT BLACK.



LEAD MATERIAL
18 GA. 125°C 4/64 INSUL.
EPDM.
(1) BLACK, (1) WHITE, (1) RED
49.00/47.00 [1244.60/1193.80]
W/PIN TERMS.
AMP 350538-1
TERMINAL HSG.
AMP 1-480700-0



Connection Diagram

Wht — Common PIN 1
Blk — High Pin 3
Red — Low PIN 2

TYPICAL PERFORMANCE TEST DATA WITH 2 1/16 INLET RESTRICTOR			
AT 120 VOLTS 60 Hz			
	RPM	WATTS	AMPS
HIGH	3019	99	1.20
LOW	2543	45	.54
BLOWER WEIGHT 4 LBS.			ENDPLAY .030/.010 [.762/.254]

DRAWING REVISION AA	REVISION BY MLS	DATE 7/9/2018	TOLERANCES UNLESS OTHERWISE SPECIFIED: DEC. INCH mm ANGLE .X ±0.1 #2.5 ±1° .XX ±0.01 #0.25 .XXX ±0.005 #0.127 XXXX ±0.0005 #0.0127	DRAWN BY MLS	DATE 7/9/2018	DESCRIPTION OUTLINE
ECO-0148091	APPROVED BY SDM	DATE 7/9/2018	REMOVE BURRS & BREAK SHARP EDGES: .003/.015 [0.076/.381] X 45° CORNER FILLETS: R.02 [.51] MACHINED SURFACES: 125/ INCR/ 32/ m/v mm SHOWN IN [BRACKETS]	APPROVED BY SDM	DATE 7/9/2018	MATERIAL OUTLINE
<small>PROPRIETARY AND CONFIDENTIAL INFORMATION - THIS DOCUMENT IS THE PROPERTY OF REGAL BELOIT AMERICA, INC. CONSENT AND CONFIRMATION OF OWNERS PROPRIETARY INFORMATION, ANY PERSON, CORPORATION OR OTHER FIRM RECEIVING IT IS DEEMED, BY RECEIVING IT, TO AGREE THAT IT, AND/OR ANY PART OF IT, SHALL NOT BE DISCLOSED TO ANY PERSON, CORPORATION OR OTHER ENTITY, DUPLICATED, AND/OR USED, EXCEPT AS EXPRESSLY APPROVED IN WRITING IN ADVANCE BY OWNER. THIS DOCUMENT SHALL BE RETURNED TO OWNER UPON REQUEST. IT MAY BE SUBJECT TO CERTAIN RESTRICTIONS UNDER APPLICABLE EXPORT CONTROL LAWS AND REGULATIONS.</small>			THIRD ANGLE PROJECTION	SIZE D	DRAWING NUMBER 702112093	PROCESS/FINISH SEE NOTES
						SHEET 1 OF 1