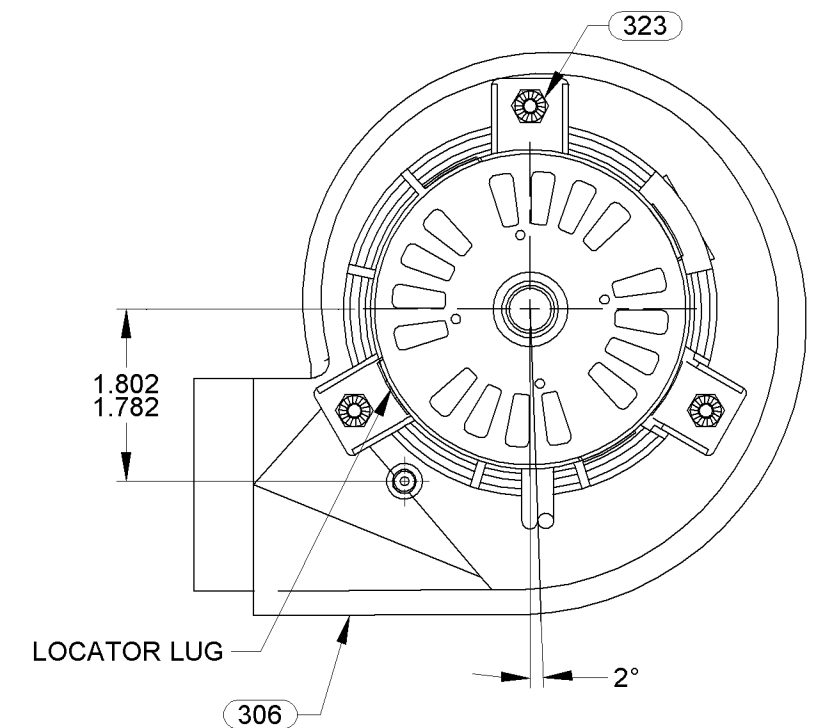
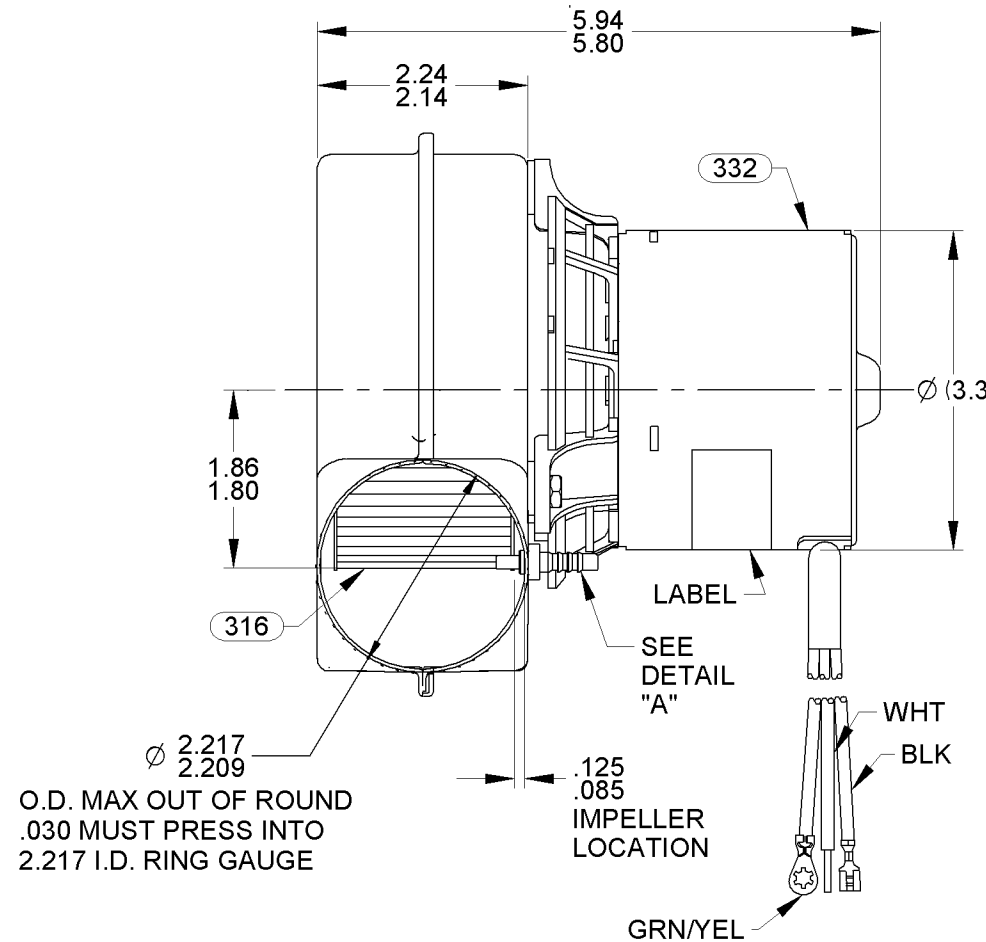
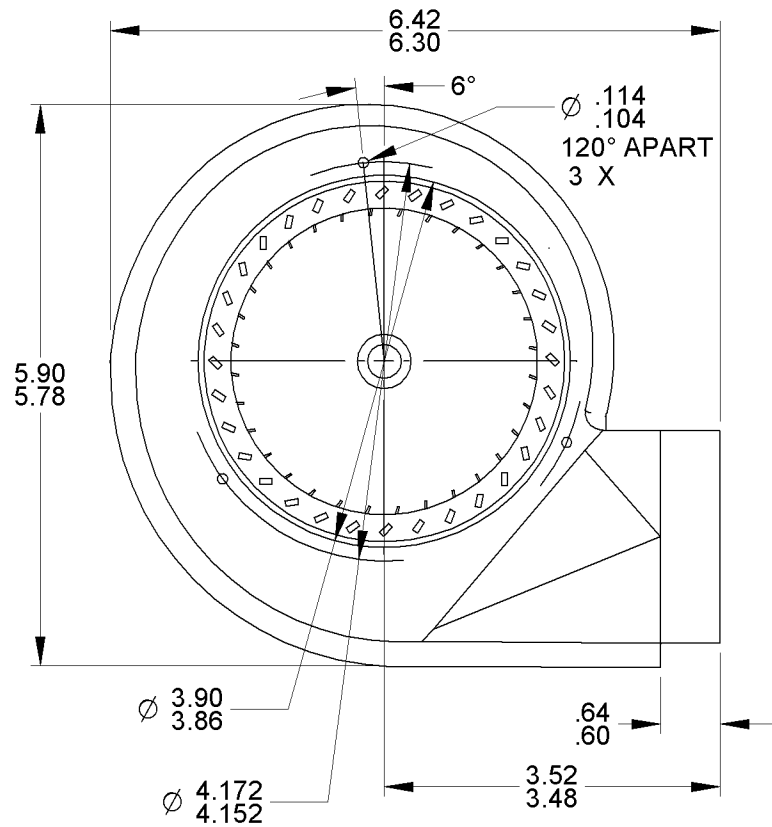
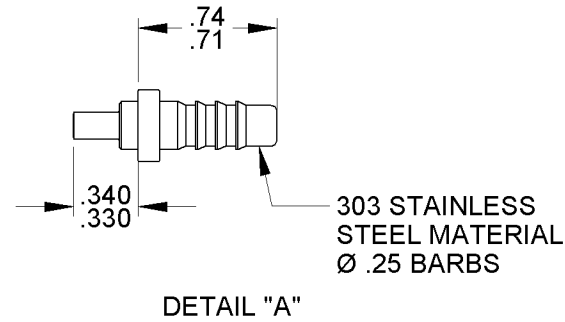


NOTES:

1. WITH 98 VOLTS APPLIED, SHAFT MUST MAKE THREE UNINTERRUPTED REVOLUTIONS.
2. CHECK 100%; STATIC TAP READING IS TO BE -.83 MIN. TO -1.35 MAX. CORRECTED TO STANDARD AIR (0.075 LB/FT³) WITH A 2 1/16 INLET RESTRICTOR.
3. INSPECTION TEST FIXTURING IS REQUIRED.
4. PACK 1 PER CONTAINER, 150 MAX. PER PALLET, 30 CONTAINERS PER LAYER, 5 LAYERS PER PALLET, PACKING ASSY.: 87854000 P.S. 88834200, P.S. 88834408.
5. CARTON LABELS MUST ALL FACE ONE DIRECTION TOWARD THE OPEN END OF THE PALLET. SEE P.S. 88834408.
6. NO PACKAGING TAPE OVER CARTON LABEL.

APPLICATION	UNIT HEATER								
	B	LA	FR	A	S	C	E	B	A
	GO	21	47	V	01	CN	5	1	0
	THERMALLY PROTECTED CLASS "B" INSULATION 416 S.S. SHAFT								
CUSTOMER	FASCO DIST.								
CUSTOMER PART NO.	A320								

LEAD MATERIAL
 18 GA. 105°C, 2/64 INSUL.
 SJT 3 CONDUCTOR
 (1) BLK W/FSPADE TERM. 89020033
 AMP 41274
 (1) GRN/YEL W/RING TERM. 89020157
 AMP 350436-2
 (1) WHT WITH .66/.54 STRIP
 38.00/36.00 IN. LONG
 RIP 10.68/10.18



AVERAGE PERFORMANCE TEST DATA
 WITH 2 1/16 DIA. INLET RESTRICTOR
 AT 120 VOLTS 60 HZ.

UNLESS OTHERWISE SPECIFIED DIMENSIONS ARE
 IN INCHES TOLERANCES ARE:
 FRACTIONS ± 1/16 DECIMALS XX ± .01 ANGLES ± 1°
 XXX ± .005

FASCO FASCO MOTORS GROUP
 AC MOTOR/BLOWER DIVISION

ECO. NO.	REV.	DATE	APPROVAL	R.P.M.	WATTS	AMPS
4001649	02	04/07/11	MLM/PLA	3176	59	.74
4009796	03	7/22/13	MLH/MLM			
4010045	04	8/15/2013	MLS/PLA			
BLOWER WEIGHT				END PLAY		
4.25 LBS.				.030/.010		

APPROVALS	DATE
DRAWN MLM	5/15/07
CHECKED JMH	5/15/07
MOTOR - BLACK BLOWER - NATURAL	

CONFIDENTIAL: DO NOT DUPLICATE OR DISCLOSE TO THIRD PARTIES WITHOUT WRITTEN PERMISSION OF FASCO MOTORS GROUP, AC MOTOR/BLOWER DIVISION.

TITLE		
BLOWER ASSEMBLY		
SIZE	DWG. NO.	REV.
B	7021 12099	04
DO NOT SCALE DRAWING		SHEET 1 OF 1