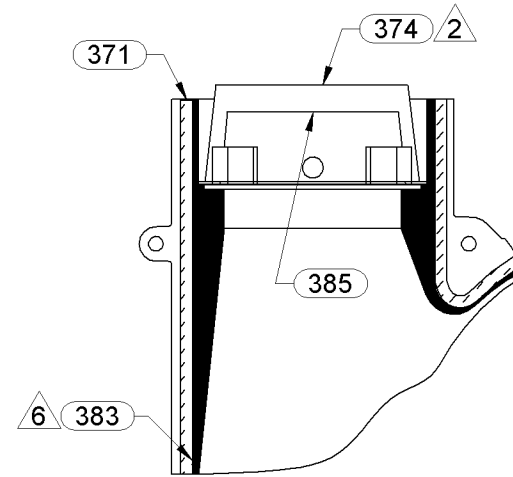
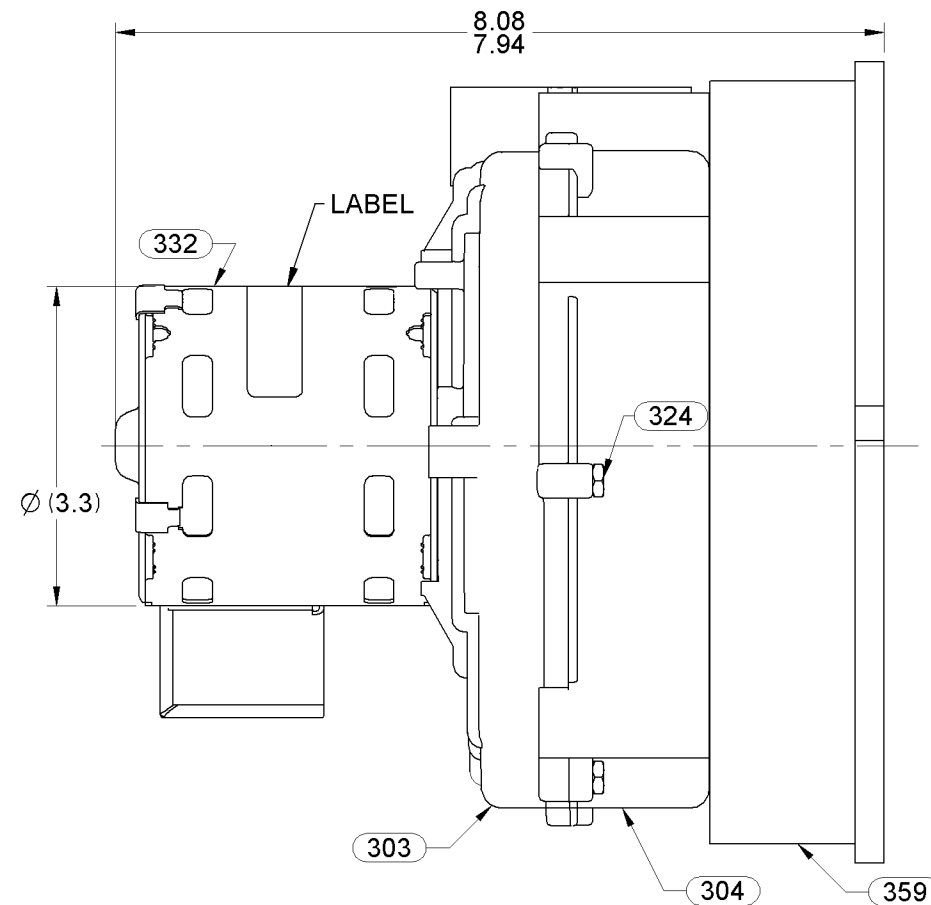
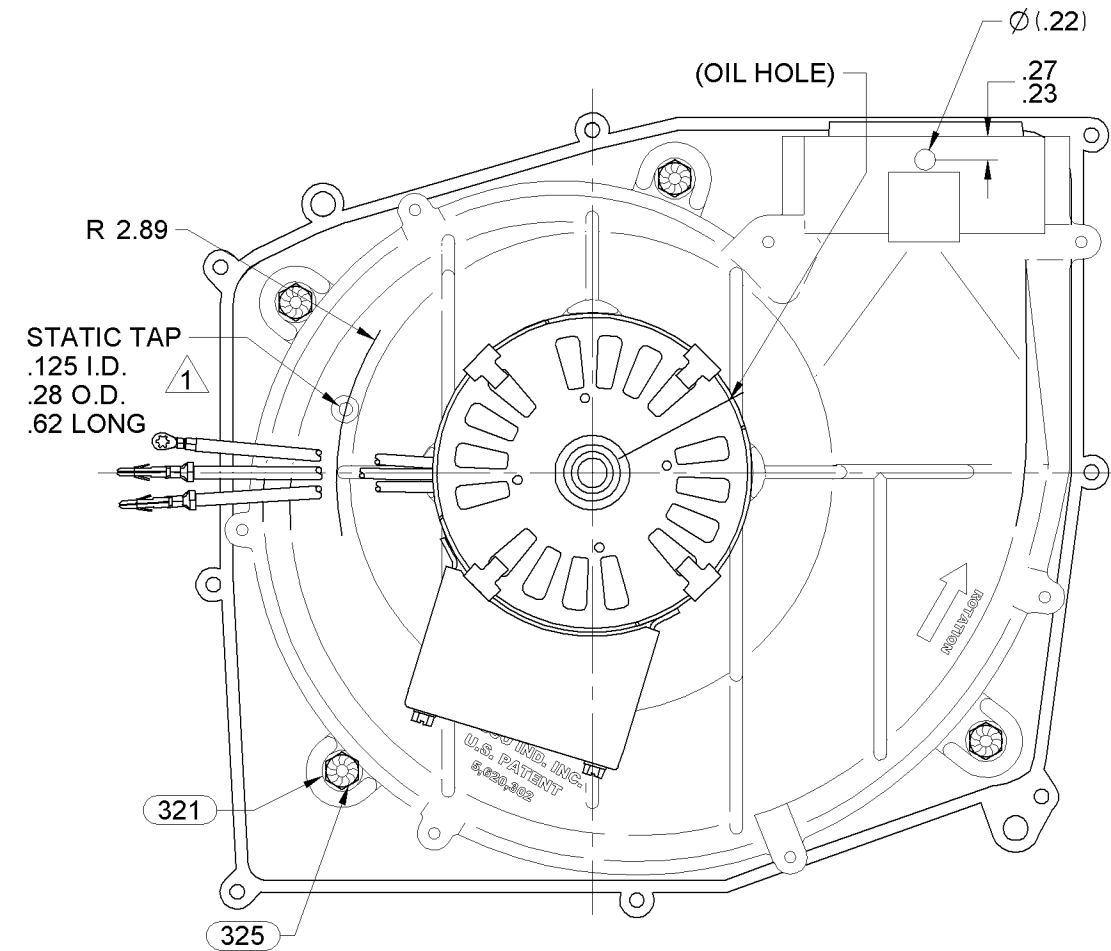


NOTES:

1. STATIC TAP MUST BE FREE OF FLASH.
2. ASSEMBLE EXHAUST COVER PC 374 INTO EXHAUST OPENING AFTER PERFORMANCE TESTING AND PRIOR TO PACKING.
3. CAPACITOR RATING: 4.0 MFD/250 VAC.
4. CONDUIT BOX HAS NO KNOCKOUTS REMOVED.
5. PACK 1 PER CONTAINER, 27 MAX. PER PALLET, PACKING ASSY: 87854866, 9 CONTAINERS PER PER LAYER, 3 LAYERS PER PALLET, P.S. 88834200.
6. APPLY PC 383 RTV SEALANT TO SHADED AREA OF MOUNTING SHELL AS SHOWN BEFORE ASSEMBLY OF SCREWS, SEE P.S. 88834415.
7. PACK (1) PC 386 KIT IN EACH CONTAINER WITH BLOWER.
8. CARTON LABEL MUST ALL FACE ONE DIRECTION TOWARD THE OPEN END OF THE PALLET. SEE P.S. 88834408.
9. NO PACKING TAPE OVER CARTON LABEL.

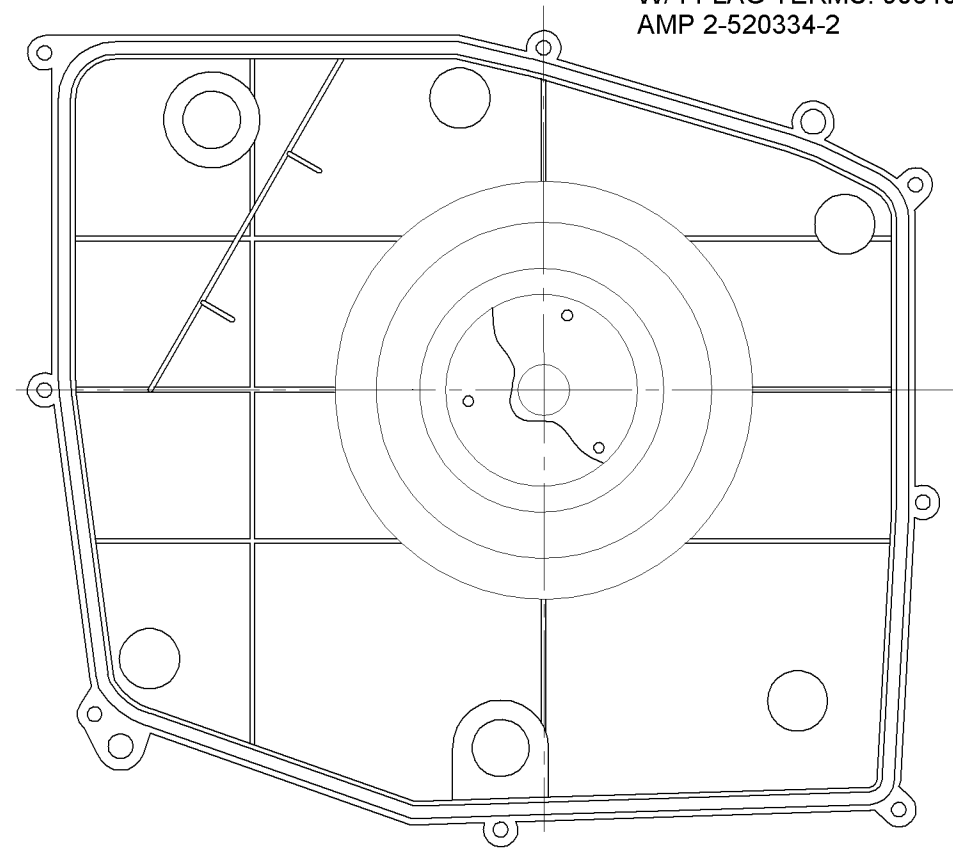


APPLICATION	B	LA	FR	A	S	C	E	B	A
THERMALLY PROTECTED CLASS "B" INSULATION 303 SS SHAFT	PB	62	30	V	03	FA	5	3	C
CUSTOMER	FASCO DIST.								
CUSTOMER PART NO.	A307								

LEAD MATERIAL
18 GA. 125°C, 2/64 INSUL.
X-LINKED POLY. (1) BLK AND WHT
33.00/31.00 IN. LONG
W/ SOCKET TERMS. 89039084
AMP 350536-1

GROUND LEAD
18 GA. 125°C, 2/64 INSUL.
X-LINKED POLY. GRN/YEL
13.00/11.00 IN. LONG
W/ RING TERM. 89020157
AMP 350436-2

CAPACITOR LEADS
18 GA. 125°C, 2/64 INSUL.
X-LINKED POLY, (2) BRN
4.00/3.00 IN. LONG
W/ FFLAG TERMS. 9034048
AMP 2-520334-2



ECO. NO.	REV.	DATE	APPROVAL
4005987	04	7/12/2012	SDM/BGP
4007531	05	12/4/2012	MLH/PLA
4010323	06	9/16/2013	MLS/KSA
0062908	07	10/17/2014	MLS/PLA

TYPICAL PERFORMANCE TEST DATA	
TEST PERFORMANCE WITH INLET AIR RESTRICTED TO 1 1/2". TEST COMPLETE BLOWER AT 115V. 60HZ. W/ ENTERING AIR AT 70±5° F. (A) BLOWER RPM TO BE 3450 ±20. (B) TOTAL NEGATIVE PRESSURE (INCHES W.C.) TO READ 1.55 - 1.70 CORRECTED TO STANDARD AIR.	
BLOWER WEIGHT 5 3/4 LBS.	END PLAY .030/.010

UNLESS OTHERWISE SPECIFIED DIMENSIONS ARE IN INCHES TOLERANCES ARE:		
FRACTIONS ± 1/16	DECIMALS XX ± .01 XXX ± .005	ANGLES ± 1°
APPROVALS	DATE	
DRAWN SRM	04/23/2007	
CHECKED PLA	04/23/2007	
FINISH COLOR FLAT BLACK		

FASCO FASCO MOTORS GROUP
AC MOTOR/BLOWER DIVISION

CONFIDENTIAL: DO NOT DUPLICATE OR DISCLOSE TO THIRD PARTIES WITHOUT WRITTEN PERMISSION OF FASCO MOTORS GROUP, AC MOTOR/BLOWER DIVISION.

TITLE
BLOWER ASSEMBLY

SIZE B	DWG. NO. 7062 5922	REV. 07
DO NOT SCALE DRAWING		SHEET 1 OF 2