

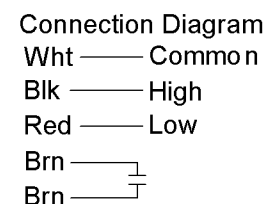
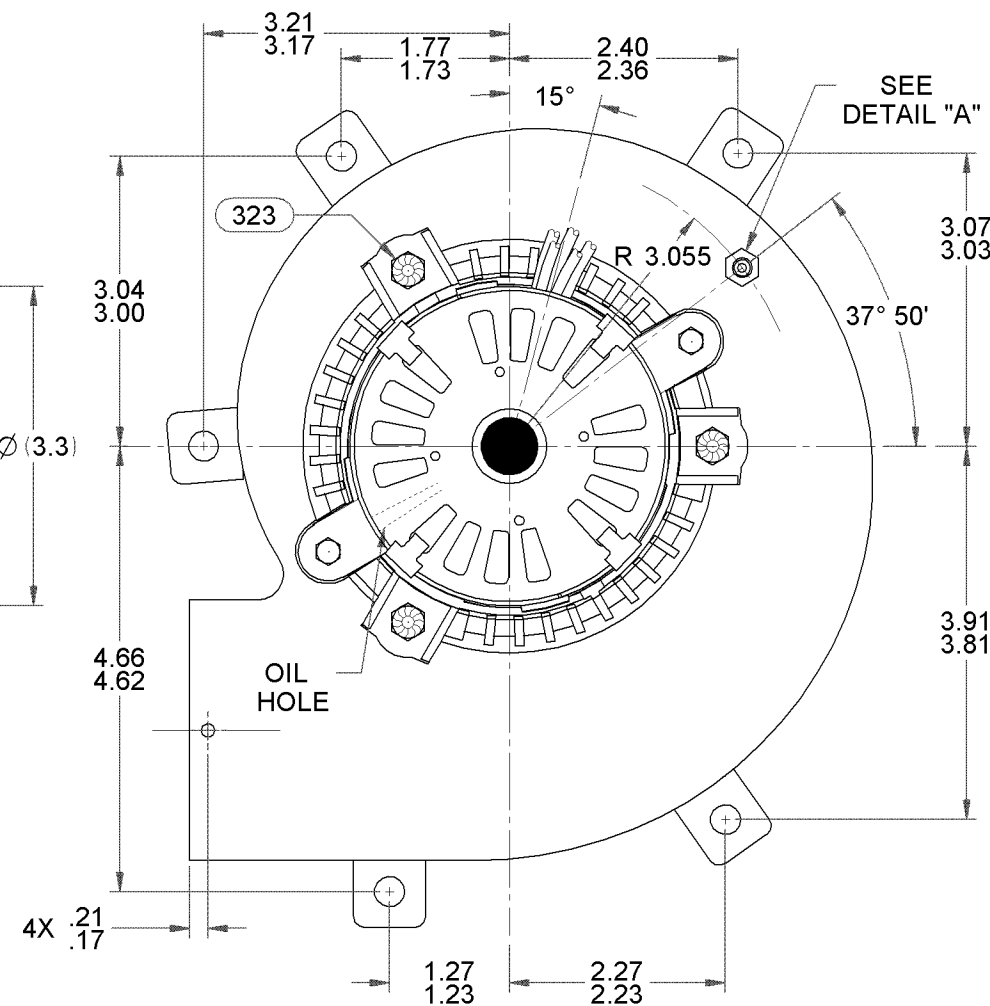
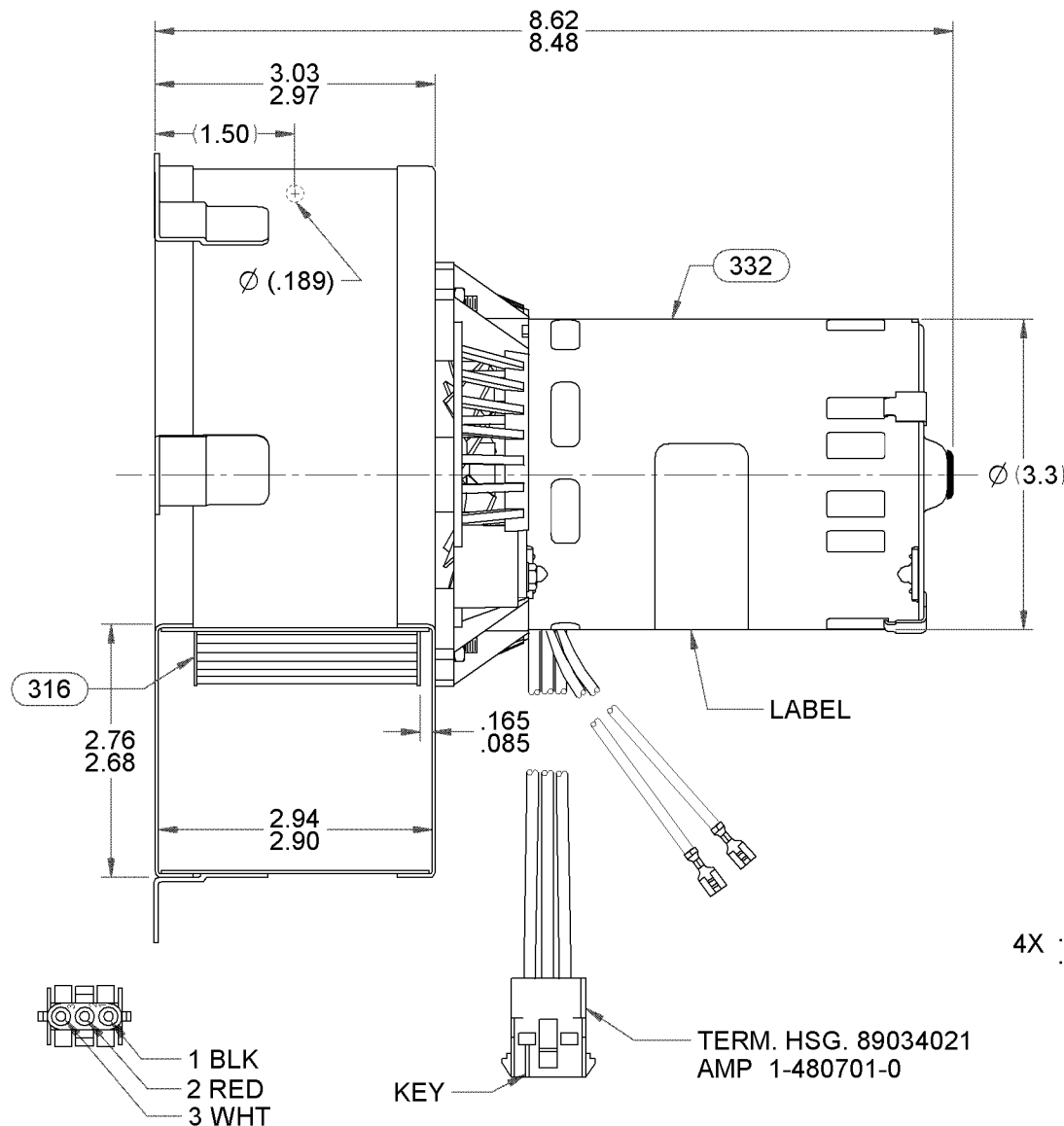
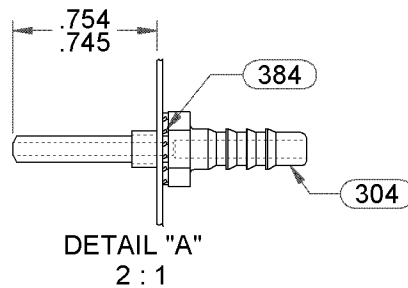
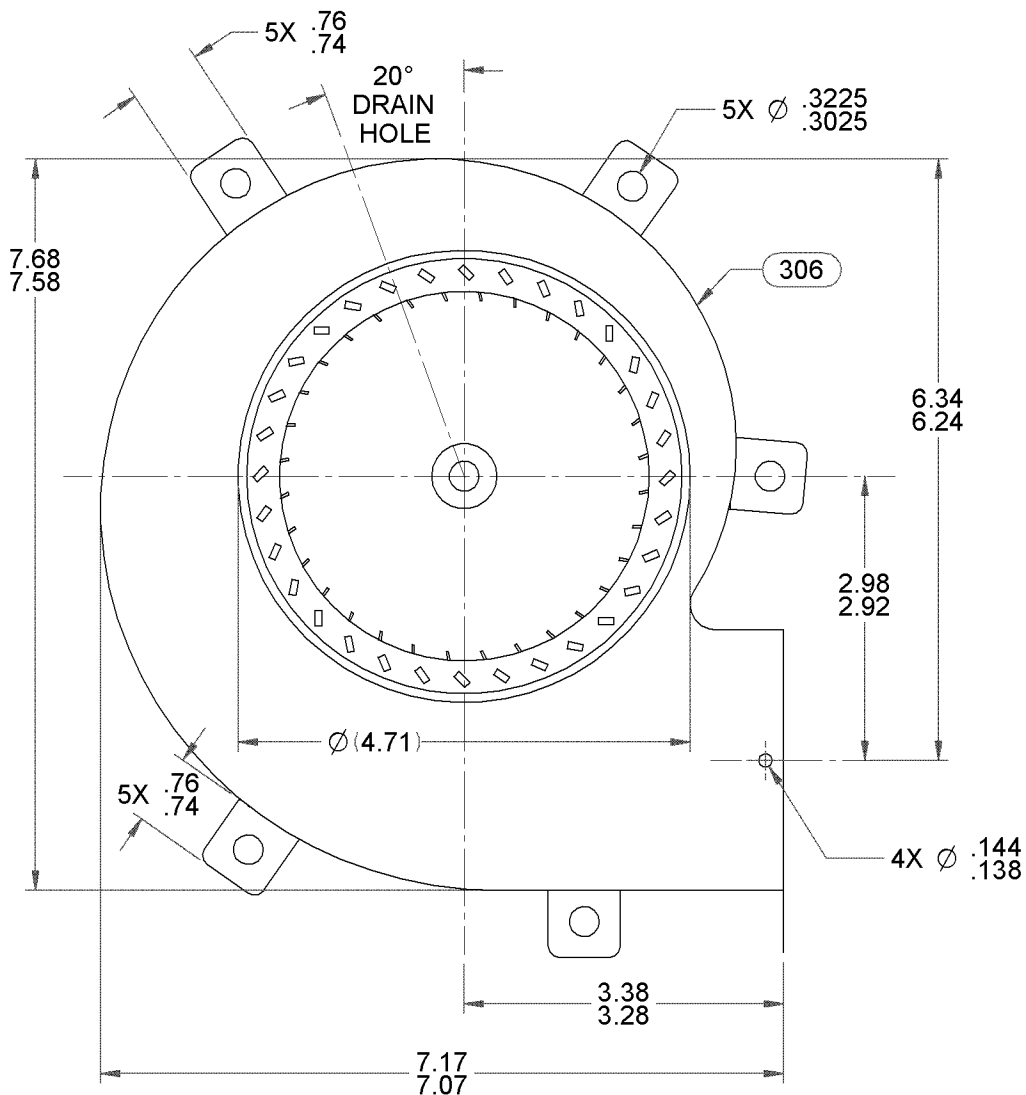
NOTES:

1. ASSEMBLE PC 384 LOCKWASHER UNDER HEAD OF PC 304 STATIC TAP.
2. STATIC TAP READING IS TO BE 1.8 MINIMUM CORRECTED TO STANDARD AIR (0.075 LB/FT³) WITH A 1-5/16" INLET RESTRICTOR.
3. PACK 1 PER CONTAINER, 48 MAX. PER PALLET, PACKING ASSY. 87854335. 16 CONTAINERS PER LAYER, 3 LAYERS PER PALLET. P.S. 88834200 AND P.S. 88834408.
4. BLOWER MUST START AT 183 VOLTS.
5. INSPECTION TEST FIXTURE 33-072-001 IS REQUIRED.
6. CAPACITOR RATING: 3 MFD/370 VAC.
7. CARTON LABELS MUST ALL FACE ONE DIRECTION TOWARD THE OPEN END OF THE PALLET. SEE P.S. 88834408.
8. NO PACKAGING TAPE OVER CARTON LABEL.

APPLICATION	FURNACE (ROOF TOP)							B	LA	FR	A	S	C	E	B	A	
	THERMALLY PROTECTED CLASS "B" INSULATION 416 S.S. SHAFT							12	62	33	F	03	CR	6	3	0	
CUSTOMER	FASCO DIST.																
CUSTOMER PART NO.	A306																

LEAD MATERIAL
 16 GA. 125° C, 2/64 INSUL.
 X-LINKED POLY
 (1) WHT, (1) BLK, (1) RED
 11.00/9.00 IN. LONG
 (MEASURED TO BACK OF TERM. HSG.)
 W/ PIN TERMS. 89039085
 AMP 350218-1

CAPACITOR LEADS
 18 GA. 125° C, 2/64 INSUL.
 X-LINKED POLY (2) BRN
 15.00/13.00 IN. LONG
 W/ FSPADE TERMS. 89039008
 AMP 42660-2



ECO. NO.				TYPICAL PERFORMANCE TEST DATA WITH A 1 5/16" INLET RESTRICTOR				UNLESS OTHERWISE SPECIFIED DIMENSIONS ARE IN INCHES TOLERANCES ARE:		FASCO MOTORS GROUP AC MOTOR/BLOWER DIVISION		
ECO. NO.	REV.	DATE	APPROVAL	AT	230 VOLTS	60 HZ.	AMPS	FRACTIONS ± 1/16	DECIMALS .XX ± .01 .XXX ± .005	ANGLES ± 1°	APPROVALS	DATE
4000351	08	11-30-10	SED/SMC	HIGH			.24				SED	9-26-05
4002567	09	7/6/11	MLM/KSA									
4010201	10	8/30/2013	MLH/PLA	LOW			.10				SMM	9-26-05
0057842	11	9/11/2014	SED/RPT	BLOWER WEIGHT			END PLAY				FINISH COLOR	FLAT BLACK
				6.0 LBS.			.030/.010					

CONFIDENTIAL: DO NOT DUPLICATE OR DISCLOSE TO THIRD PARTIES WITHOUT WRITTEN PERMISSION OF FASCO MOTORS GROUP, AC MOTOR/BLOWER DIVISION.	TITLE		BLOWER ASSEMBLY	
SIZE	DWG. NO.	SHEET		REV.
B	7062 5799	1 OF 1		11