

NOTES:

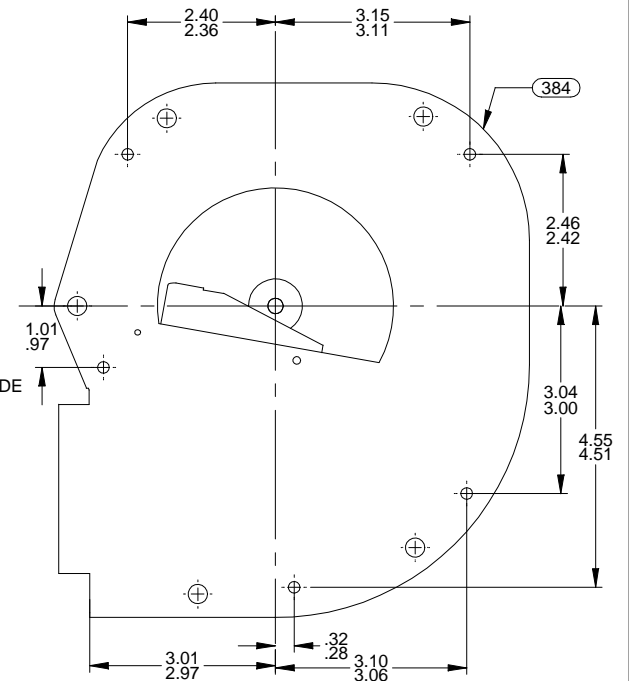
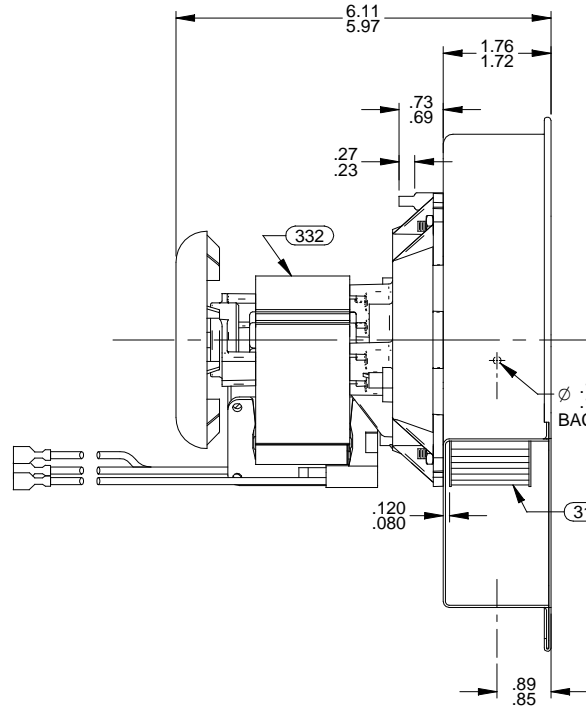
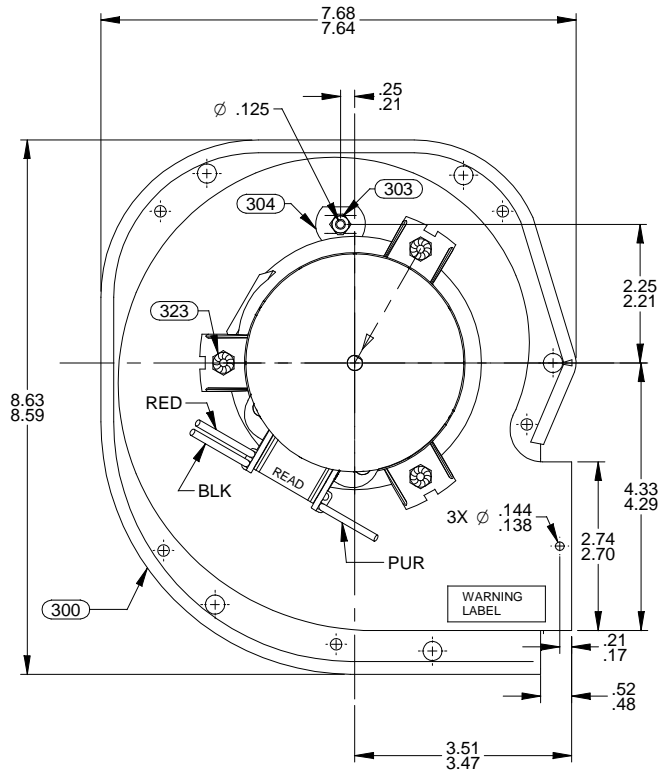
1. STATIC TAP READING IS TO BE  $-1.45$  MINIMUM CORRECTED TO STANDARD AIR ( $0.075 \text{ LB/FT}^3$ ) WITH A  $1 \frac{5}{16}$ " INLET RESTRICTOR.
2. INSPECTION TEST FIXTURING REQUIRED.
3. PACK 1 UNIT PER CONTAINER, 12 CONTAINERS PER LAYER, 4 LAYERS PER PALLET, 48 MAX. AMT. PER PALLET, PACKING ASSY: 87855084.
4. CARTON LABELS MUST ALL FACE ONE DIRECTION TOWARD THE OPEN END OF THE PALLET. SEE P.S. 88834408.
5. NO PACKING TAPE OVER CARTON LABEL.

CONNECTION DIAGRAM

PURPLE — COMMON  
 RED — 230 V  
 BLACK — 208 V

APPLICATION	GAS FURNACE								
	B	LA	FR	A	S	C	E	B	A
	GS	58	48	X	06	CH	6	0	0
CUSTOMER	FASCO DIST.								
CUSTOMER PART NO.	A289								

LEAD MATERIAL  
 18 GA.  $125^\circ\text{C}$  2/64 INSUL.  
 X-LINKED POLY, PUR, BLK, RED,  
 22.00/20.00 IN. LONG  
 W/ FSPADE TERMS. 89034011  
 AMP 2-520183-2



61294832

**SAFETY WARNING**  
 This Motor Must Be Grounded  
 in Accordance With Local Or  
 National Electrical Codes  
 To Prevent Possible Injury  
 Due To Electrical Shock

TYPICAL PERFORMANCE TEST DATA  
 WITH  $1 \frac{5}{16}$ " INLET RESTRICTOR

ECO. NO.	REV.	DATE	APPROVAL	AT	208/230 VOLTS	60 HZ.	R.P.M.	WATTS	AMPS
4012844	00	07/30/2014	RPT/JMG	208V	3202	69	.63		
0061921	01	10/07/2014	RPT/SDM	230V	3203	69	.57		
				BLOWER WEIGHT	5 1/4	LBS.			

UNLESS OTHERWISE SPECIFIED DIMENSIONS ARE IN INCHES TOLERANCES ARE:		
FRACTIONS	DECIMALS	ANGLES
$\pm 1/16$	$\pm .01$	$\pm 1^\circ$
	$\pm .005$	
APPROVALS	DATE	
DRAWN RPT	07/30/2014	
CHECKED JMG	07/30/2014	
END PLAY	.XX/.XX	
FINISH COLOR	NATURAL	

FASCO		FASCO MOTORS GROUP AC MOTOR/BLOWER DIVISION
CONFIDENTIAL: DO NOT DUPLICATE OR DISCLOSE TO THIRD PARTIES WITHOUT WRITTEN PERMISSION OF FASCO MOTORS GROUP, AC MOTOR/BLOWER DIVISION.		
TITLE BLOWER ASSEMBLY		
SIZE B	DWG. NO. 7058 1891	REV. 01
DO NOT SCALE DRAWING		SHEET 1 OF 1