

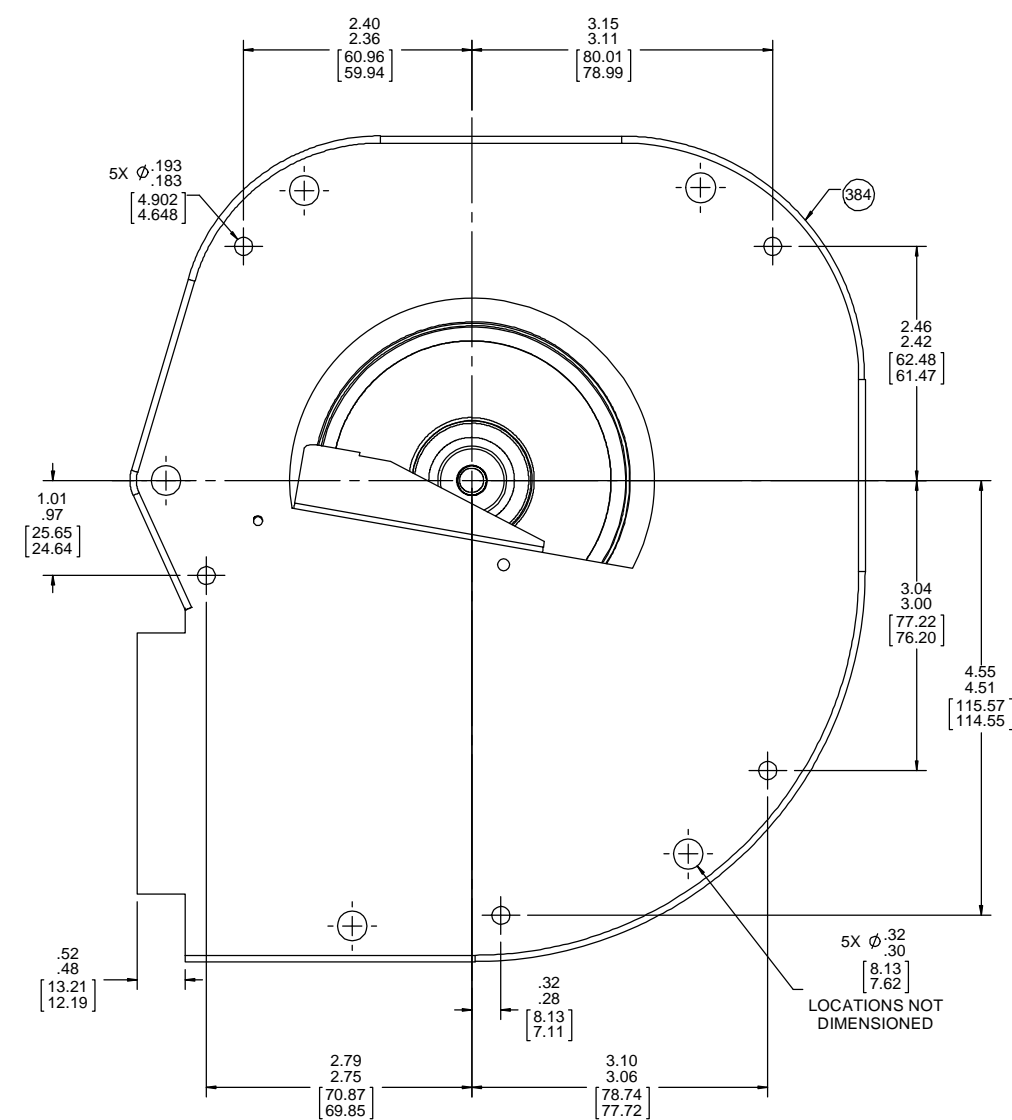
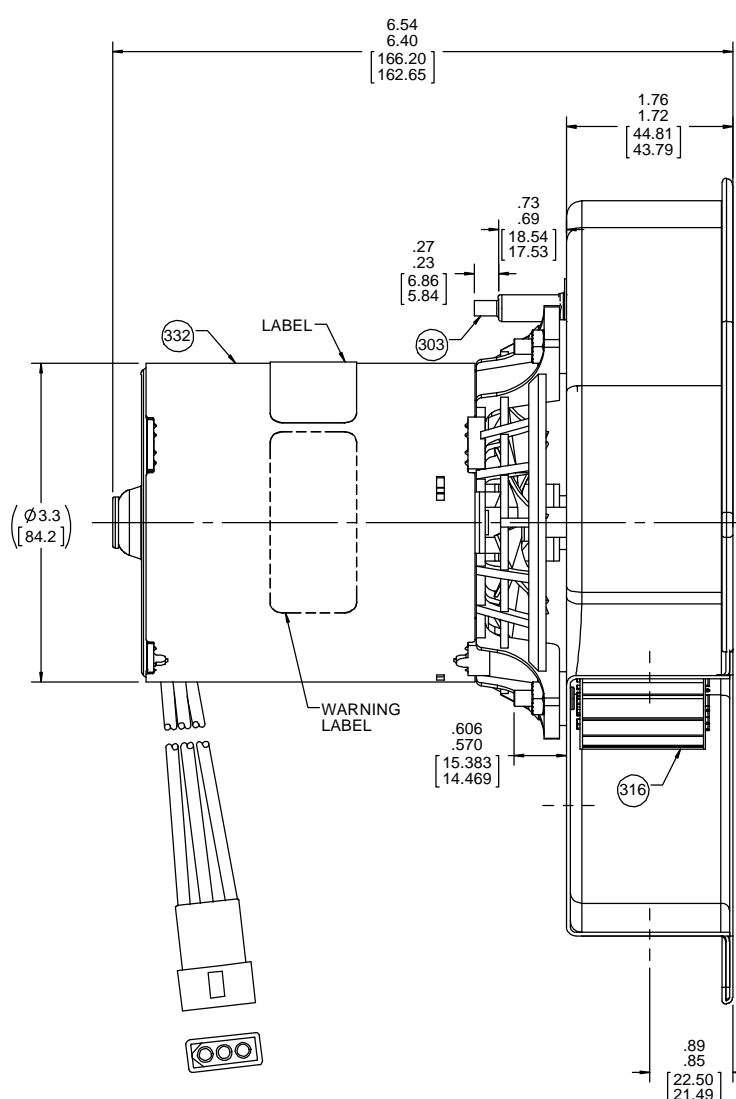
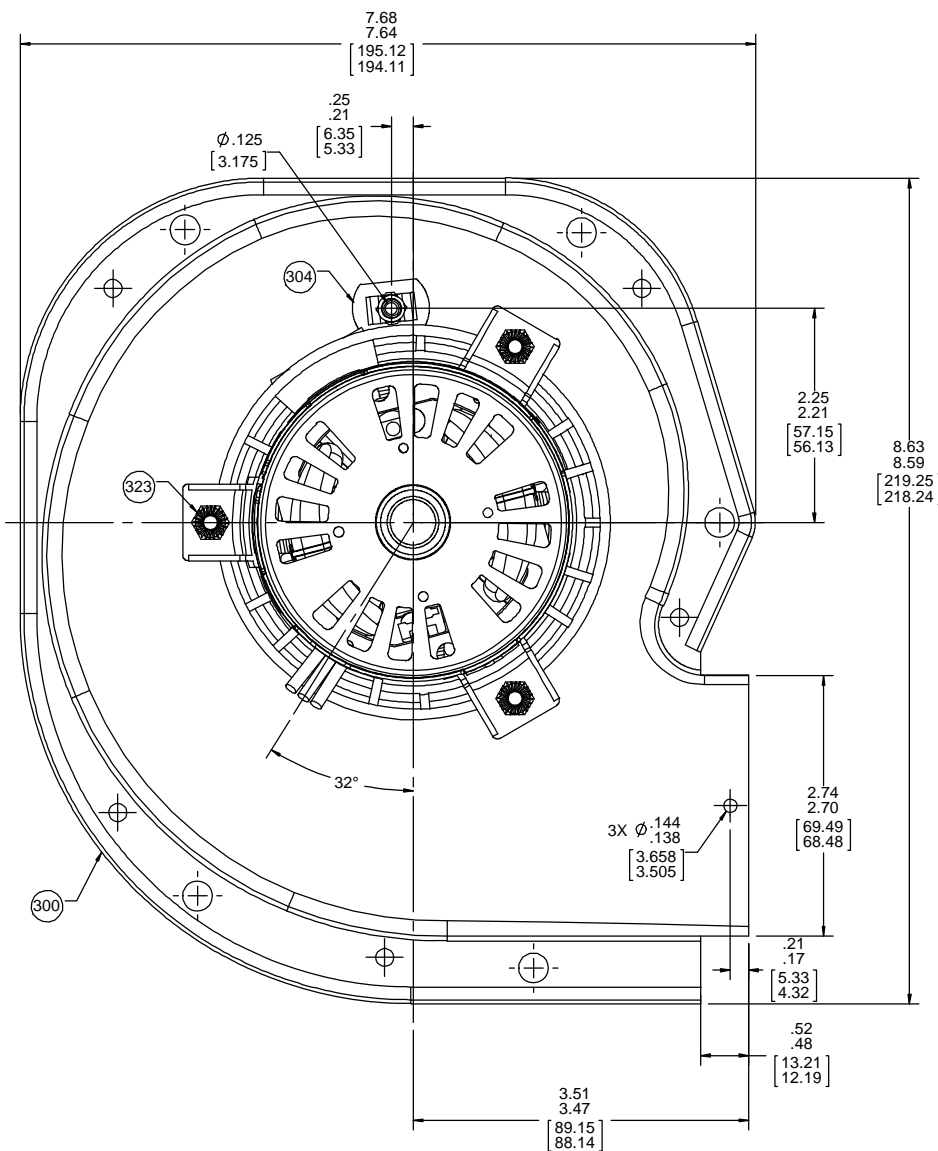
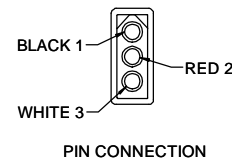
THERMALLY PROTECTED  
CLASS "B" INSULATION  
416 SS SHAFT  
SEALED BALL BEARING

APPLICATION:	GAS FURNACE	B	LA	FR	A	S	C	E	B	A
CUSTOMER:	FASCO DIST.	GS	21	47	V	06	FB	6	0	C
CUSTOMER PN:	A288									

LEAD MATERIAL  
18 GA. 125°C 4/64 INSUL.  
EPDM  
BLACK, RED, WHITE  
8.00/6.00 [203.20/152.40]  
W/PIN TERMS.  
AMP 770530-1  
TERMINAL HOUSING  
AMP 770074-1

- NOTES:
1. LOCATION OF IMPELLER TO BE .120/.080 [3.048/2.032] FROM MOTOR SHELL.
  2. INSPECTION TEST FIXTURING IS REQUIRED.
  3. STATIC TAP READING IS TO BE -1.10 MINIMUM CORRECTED TO STANDARD AIR (0.075 LB/FT<sup>3</sup>) WITH A 1/516 INLET RESTRICTOR ON HIGH SPEED.
  4. PACK 1 PER CONTAINER, 16 CONTAINER PER LAYER, 5 LAYERS PER PALLET, 80 MAX. PER PALLET, PACKING ASSY. 87854335, PER 88834200.
  5. CARTON LABELS MUST ALL FACE ONE DIRECTION TOWARD THE OPEN END OF THE PALLET. SEE 88834408.
  6. NO PACKAGING TAPE OVER CARTON LABEL.
  7. BLOWER - NATURAL, MOTOR - FLAT BLACK.

Connection Diagram  
Wht Common  
Blk High  
Red Low



TYPICAL PERFORMANCE TEST DATA WITH 1/516 INLET RESTRICTOR			
AT 115 VOLTS 60 Hz			
	RPM	WATTS	AMPS
HIGH	3220	100	1.4
LOW	2780	50	.67
BLOWER WEIGHT	5 1/2 LBS.		ENDPLAY .XX/XX

DRAWING REVISION AA	REVISION BY MLS	DATE 6/15/2018	TOLERANCES UNLESS OTHERWISE SPECIFIED: DEC. INCH mm ANGLE .X ±0.1 [±2.5] .XX ±0.01 [±0.25] .XXX ±0.005 [±0.127] XXXX ±0.0005 [±0.0127]	DRAWN BY MLS	DATE 6/15/2018	APPROVED BY BAA	DATE 6/15/2018	DESCRIPTION OUTLINE BLOWER ASSY
ECO-0141980			REMOVED TO SOLIDWORKS	MATERIAL D		PROCESS/FINISH SEE NOTES		
ECO DESCRIPTION			EDGES: .003/.015 [0.076/ 381] X 45° CORNER FILLETS: R.02 [51] MACHINED SURFACES: 125 INCP/ mlv mm SHOWN IN [BRACKETS]	THIRD ANGLE PROJECTION	SIZE D	DRAWING NUMBER 702111911	SHEET 1 OF 1	

Regal Beloit America, Inc.