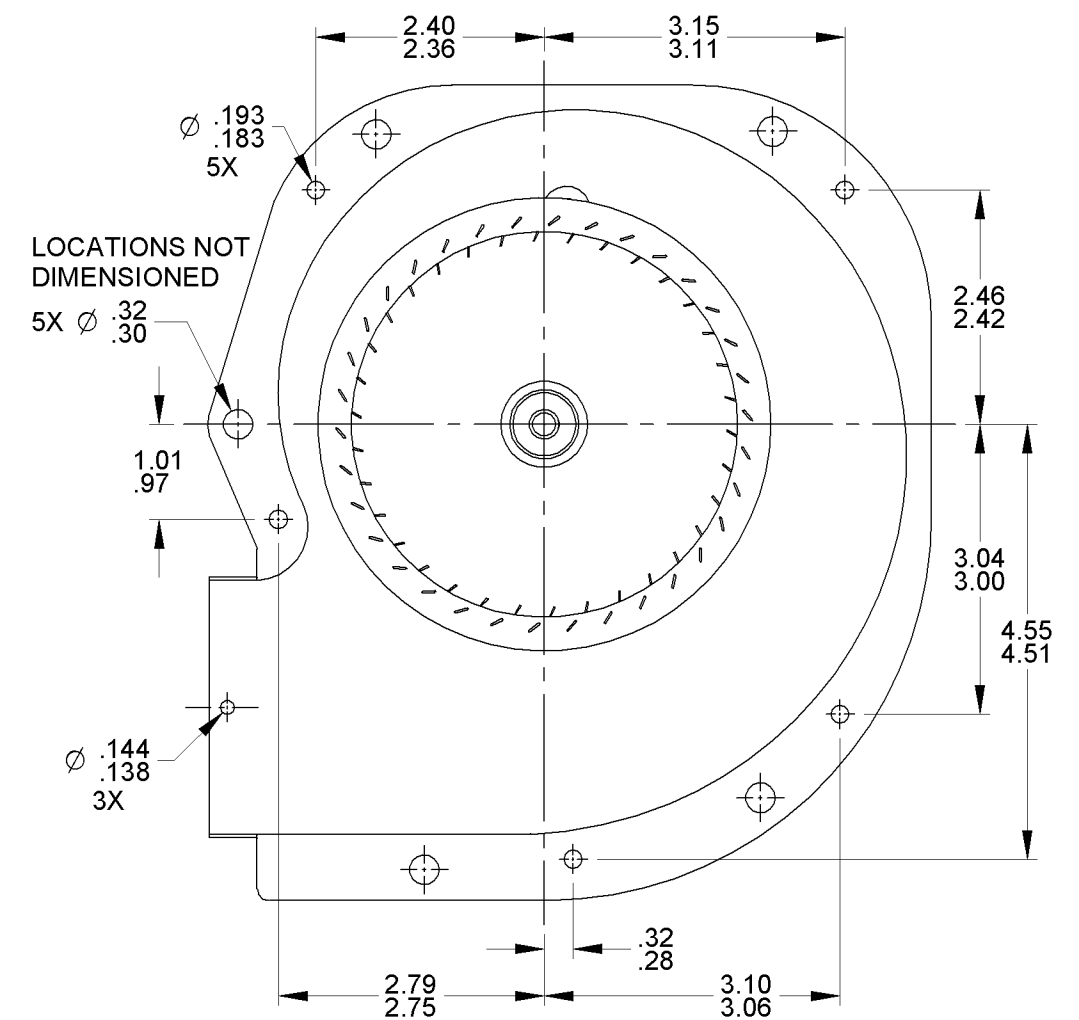
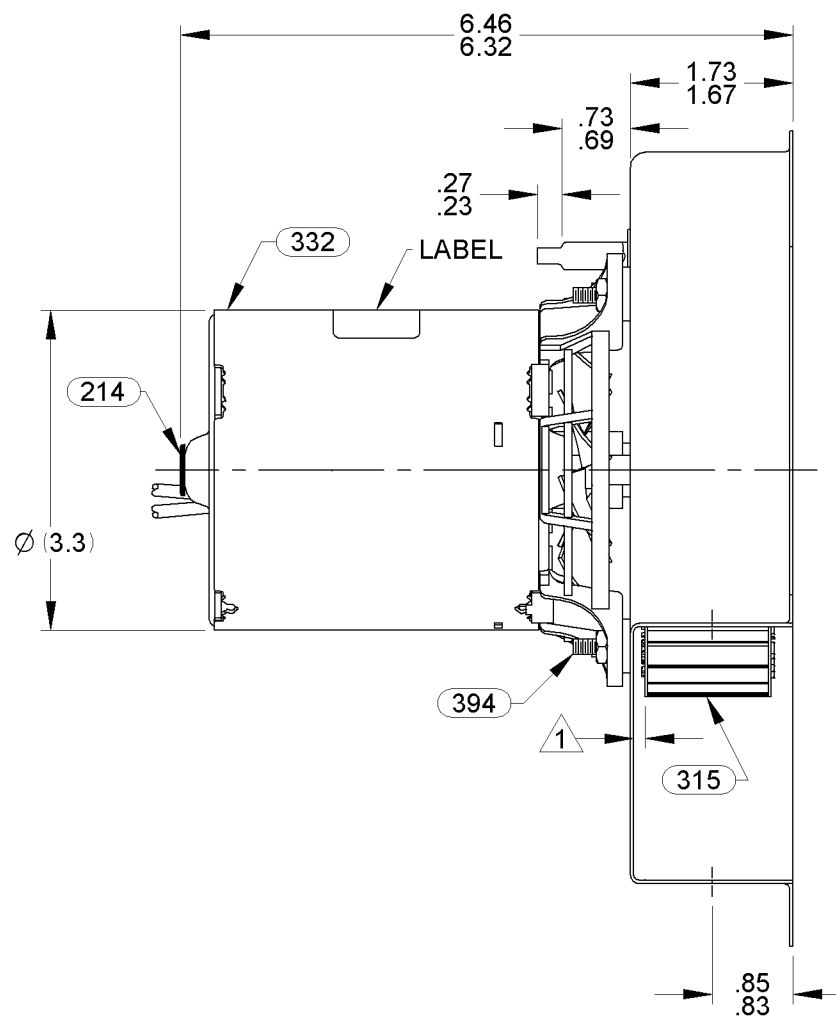
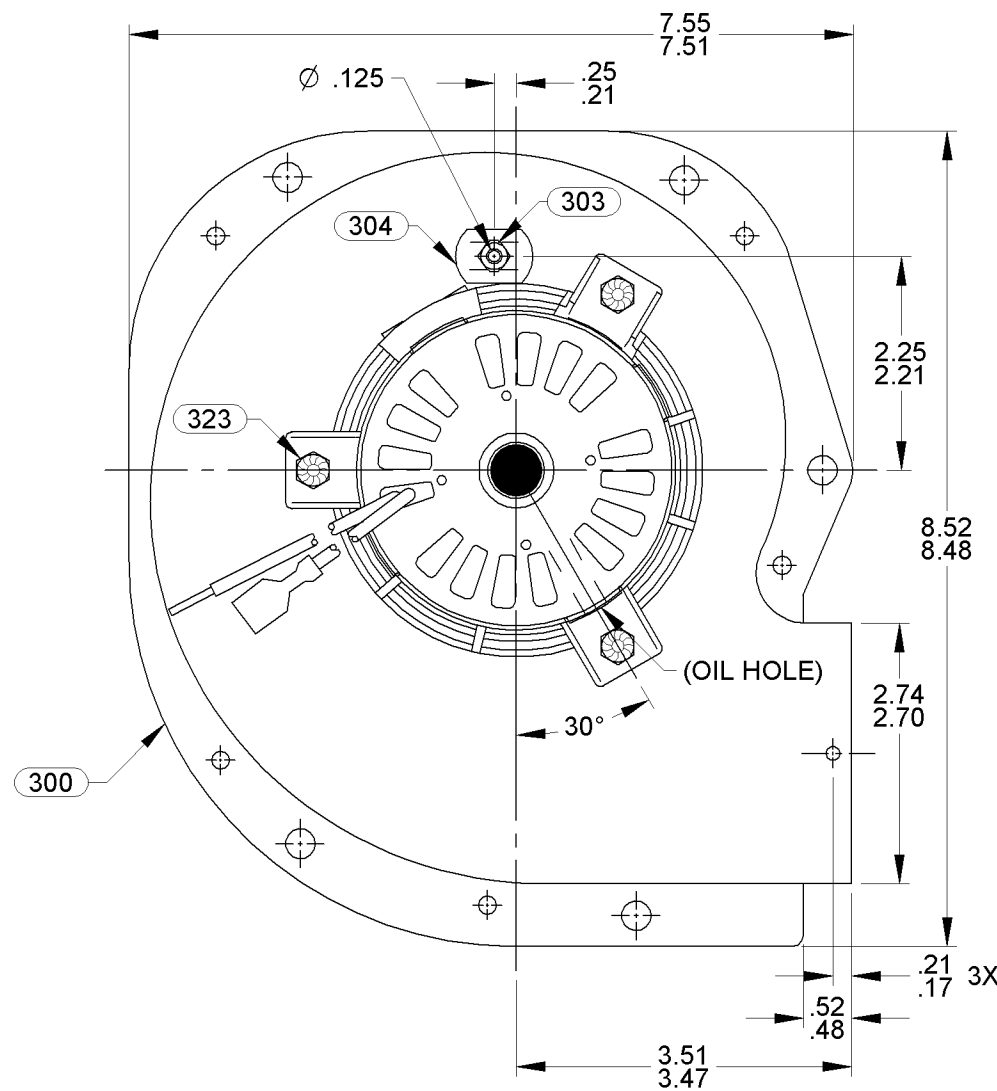


NOTES:

1. IMPELLER MEASURED .140/.100 FROM INSIDE OF HOUSING WITH END PLAY PULLED OUT.
2. INSPECTION TEST FIXTURE IS REQUIRED.
3. STATIC TAP READING IS -1.25 MINIMUM CORRECTED TO STANDARD AIR (0.075 LB/FT³) WITH A 1 5/16 INLET RESTRICTOR.
4. PACK 1 PER CONTAINER, 80 MAX. PER PALLET, PACKING ASSY. 8785-4335, 16 CONTAINERS PER LAYER, 5 LAYERS PER PALLET, P.S. 8883-4200, P.S. 8883-4408.
5. CARTON LABELS MUST ALL FACE DIRECTION TOWARD THE OPEN END OF THE PALLET. SEE P.S. 8883 4408.
6. NO PACKAGING TAPE OVER CARTON LABEL.

APPLICATION	FURNACE								
THERMALLY PROTECTED CLASS "B" INSULATION 416 S.S. SHAFT									
B	LA	FR	A	S	C	E	B	A	
GS	21	47	V	06	AZ	5	3	0	
CUSTOMER FASCO DIST.									
CUSTOMER PART NO. A287									

LEAD MATERIAL
 18 GA. 125°C 4/64 INS.
 EPDM. (1) BLACK
 13.00/11.00 IN. LONG
 W/FSPADE TERM. 8903-4025
 AMP# 2-520263-2
 AND (1) WHITE
 23.00/21.00 IN. LONG
 .81/.69 IN. STRIP



ALL MATERIAL FURNISHED TO THIS DRAWING AND/OR APPLICABLE PURCHASE ORDER FOR THIS PART MUST COMPLY WITH THE LATEST REVISION OF THE EUROPEAN DIRECTIVES RoHS AND REACH.				TYPICAL PERFORMANCE TEST DATA WITH A 1 5/16 INLET RESTRICTOR.				UNLESS OTHERWISE SPECIFIED DIMENSIONS ARE IN INCHES TOLERANCES ARE: FRACTIONS ± 1/16 DECIMALS XX ± .01 ANGLES ± 1° XXX ± .005			FASCO MOTORS GROUP AC MOTOR/BLOWER DIVISION		
								AT 115 VOLTS 60 HZ.				APPROVALS	
ECO. NO.	REV.	DATE	APPROVAL	R.P.M.	WATTS	AMPS	DRAWN		SDM		11/08/2005		
4000108	06	11/02/10	JMC/PLA		79	1.17	CHECKED		BGP		11/08/2005		
4001629	07	04/06/11	MLM/PLA				BLOWER WEIGHT		4.75 LBS.		END PLAY		
							FINISH COLOR		BLOWER - NATURAL MOTOR - FLAT BLACK		DO NOT SCALE DRAWING		
										SHEET 1 OF 1		REV. 07	

If Printed, this is an Uncontrolled Document.