

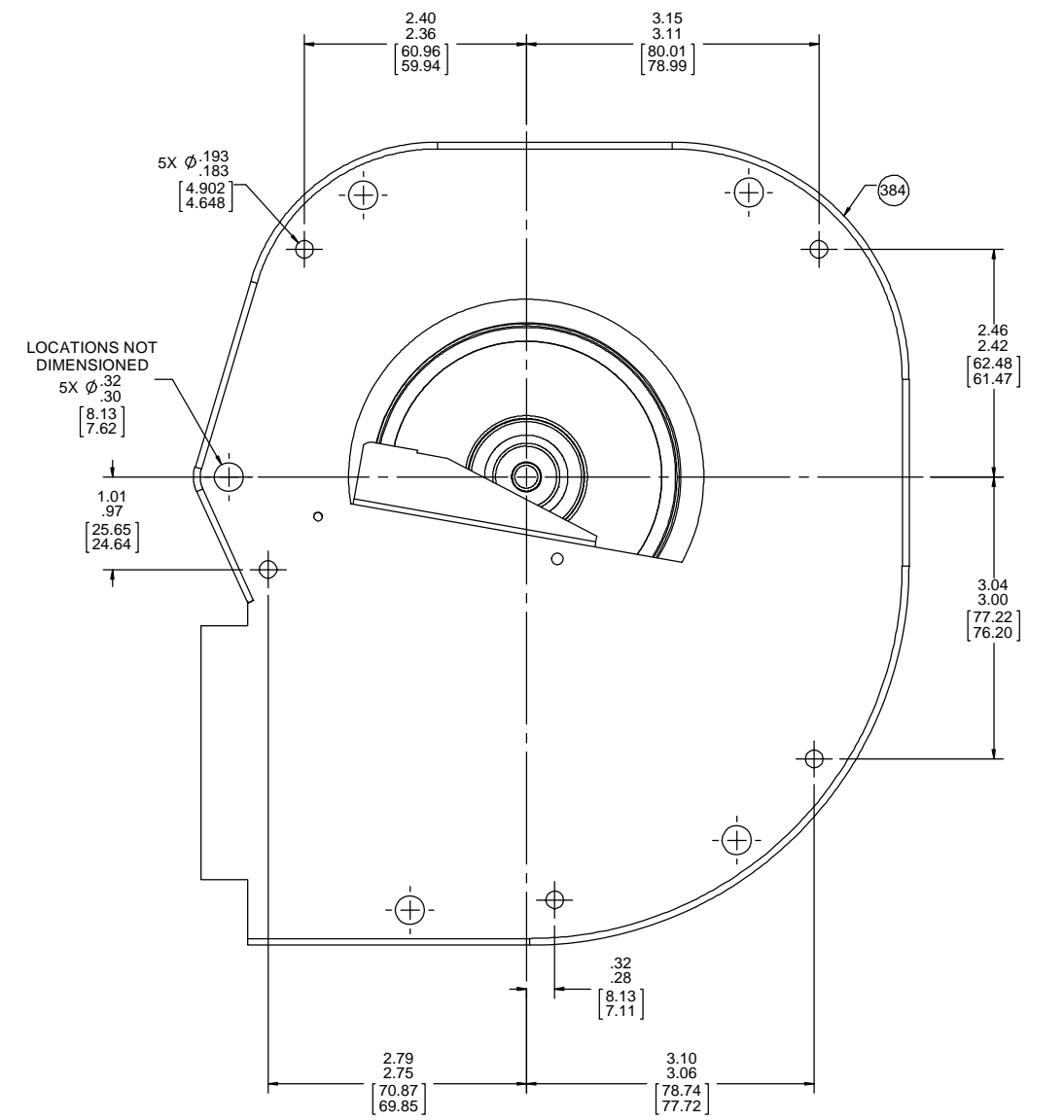
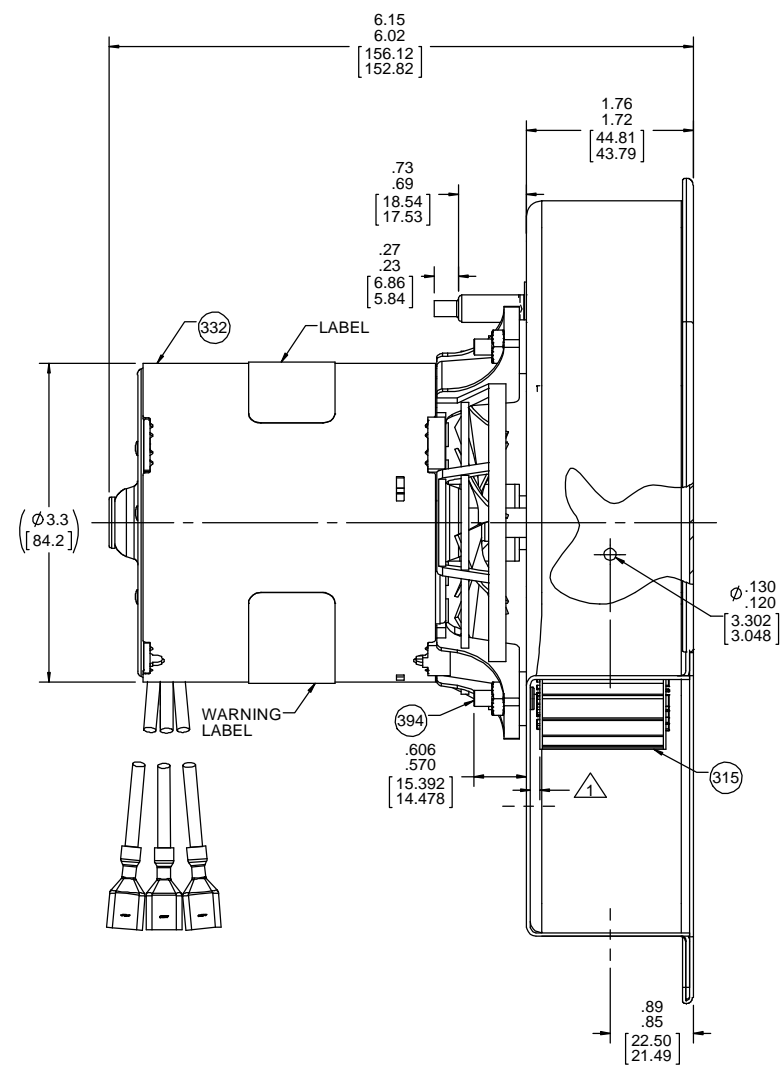
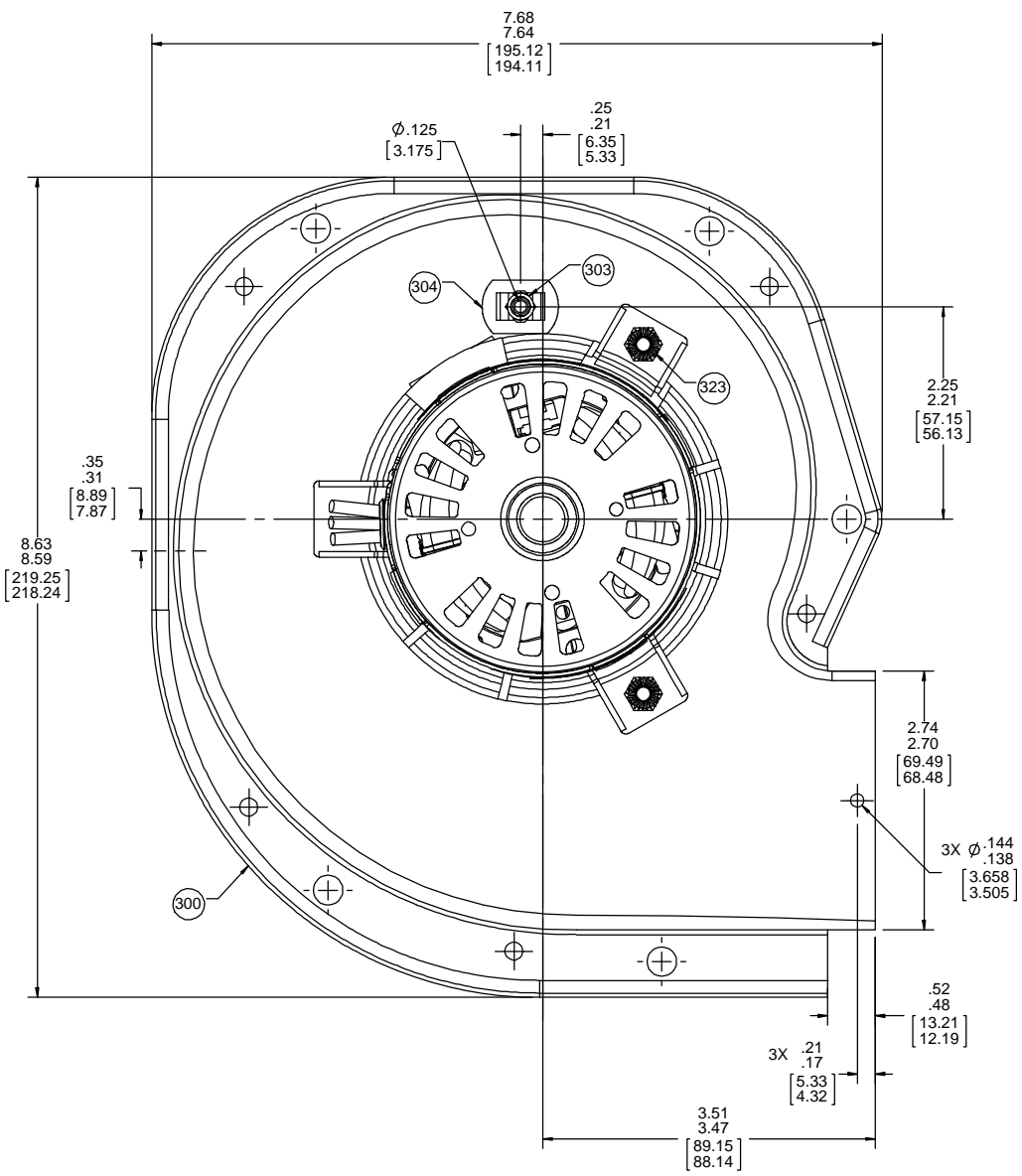
THERMALLY PROTECTED
CLASS "B" INSULATION
416 SS SHAFT

| | | | | | | | | | | |
|--------------|----------------------|----|----|----|---|----|----|---|---|---|
| APPLICATION: | GAS/ELECT. PKG. UNIT | B | LA | FR | A | S | C | E | B | A |
| CUSTOMER: | FASCO DIST. | GS | 21 | 47 | V | 05 | EO | 9 | 3 | C |
| CUSTOMER PN: | A286 | | | | | | | | | |

NOTES:

- LOCATION OF IMPELLER MEASURED .120/.080 [3.048/2.032] FROM INSIDE OF HOUSING WITH ENDPLAY PUSHED TOWARD MOTOR.
- INSPECTION TEST FIXTURING IS REQUIRED.
- STATIC TAP READING IS TO BE 1.45 MINIMUM CORRECTED TO STANDARD AIR (0.075 LB/FT³) WITH A 1 5/16 INLET RESTRICTOR.
- PACK 1 PER CONTAINER, 18 CONTAINERS PER LAYER, 5 LAYERS PER PALLET, 80 MAX. PER PALLET, PACKING ASSY. 87854335, PER 88834200.
- CARTON LABELS MUST ALL FACE ONE DIRECTION TOWARD THE OPEN END OF THE PALLET. SEE 88834408.
- NO PACKAGING TAPE OVER CARTON LABEL.
- BLOWER - NATURAL, MOTOR - FLAT BLACK.

LEAD MATERIAL
18 GA. 125°C 4/64 INUSL.
EPDM.
(1) PURPLE, (1) BLACK, (1) RED
46.00/44.00 [1168.40/1117.60]
W/FSPADE TERMS.
AMP 2-520263-2



Connection Diagram
Pur — Common
Red — 230 V
Blk — 208 V

| TYPICAL PERFORMANCE TEST DATA WITH 1 5/16 INLET RESTRICTOR | | | |
|---|--------|-------|-------------------------------------|
| AT 230 VOLTS 60 Hz | | | |
| | RPM | WATTS | AMPS |
| | 2930 | 100 | .65 |
| BLOWER WEIGHT | 5 LBS. | | ENDPLAY .030/.010 [.762/.254] |

| | | | | | | | | |
|--|--------------------|-------------------|---|-------------------------------------|-------------------|---|-------------------|---------------------------------------|
| DRAWING REVISION AA | REVISION BY MLS | DATE 3/16/2018 | TOLERANCES UNLESS OTHERWISE SPECIFIED: DEC. INCH mm ANGLE .X ±0.1 #2.5 ±1° .XX ±0.01 #0.25 ±.1° .XXX ±0.005 #0.127 ±.05° XXX ±0.005 #0.127 ±.05° | DRAWN BY MLS | DATE 3/16/2018 | APPROVED BY JMG | DATE 3/16/2018 | DESCRIPTION OUTLINE BLOWER ASSY |
| REDRAWN TO SOLIDWORKS <small>PROPRIETARY AND CONFIDENTIAL INFORMATION - THIS DOCUMENT IS THE PROPERTY OF REGAL BELOIT AMERICA, INC. CONSENT AND CONFIRMATION OF OWNERS PROPRIETARY INFORMATION, ANY PERSON, CORPORATION OR OTHER FIRM RECEIVING IT IS DEEMED, BY RECEIVING IT, TO AGREE THAT IT, AND/OR ANY PART OF IT, SHALL NOT BE DISCLOSED TO ANY PERSON, CORPORATION OR OTHER ENTITY, DUPLICATED, AND/OR USED, EXCEPT AS EXPRESSLY APPROVED IN WRITING IN ADVANCE BY OWNER. THIS DOCUMENT SHALL BE RETURNED TO OWNER UPON REQUEST. IT MAY BE SUBJECT TO CERTAIN RESTRICTIONS UNDER APPLICABLE EXPORT CONTROL LAWS AND REGULATIONS.</small> | | | | REFERENCE THIRD ANGLE PROJECTION | | MATERIAL PROCESS/FINISH SEE NOTES | | |
| REGAL BELOIT AMERICA, Inc. | | | | | | SIZE DRAWING NUMBER 702111907 | | SHEET 1 OF 1 |