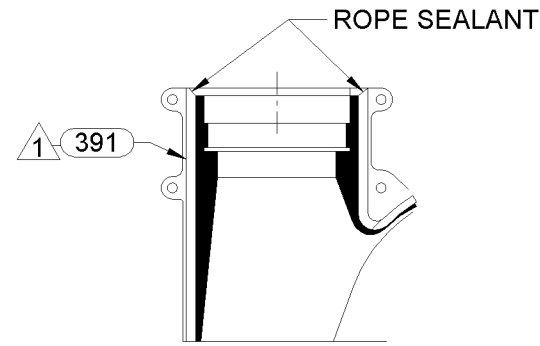


NOTES:

1. LAY PC 391 ROPE SEALANT IN CHANNEL PROVIDED IN PC 366 MOUNTING SHELL.
2. ASSEMBLE PC 383 INLET SHELL TO PC 366 MOUNTING SHELL ASSEMBLY AND SECURE WITH (9) PC 324 SCREWS. TRIM EXCESS ROPE SEALANT FROM FACE OF BLOWER EXHAUST.
3. STATIC TAP MUST BE FLASH FREE.
4. USE GO AND NO GO GAUGES 2.412/2.393 FOR CORRECT EXHAUST OPENING.
5. PACK 1 PER CONTAINER, 36 MAX. PER PALLET, PACKING ASSY: 8785 4916, 12 CONTAINERS PER LAYER, 3 LAYERS PER PALLET, P.S. 8883 4200 & 8883 4408.
6. CARTON LABELS MUST ALL FACE ONE DIRECTION TOWARD THE OPEN END OF THE PALLET. SEE P.S. 8883 4408.
7. NO PACKING TAPE OVER CARTON LABEL.

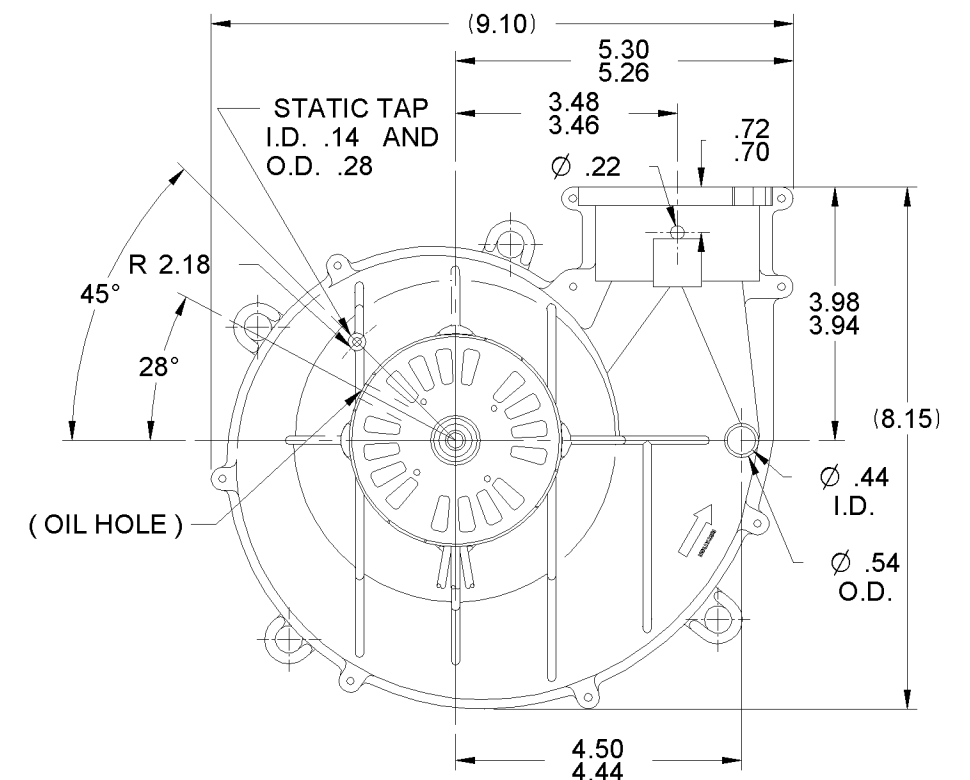
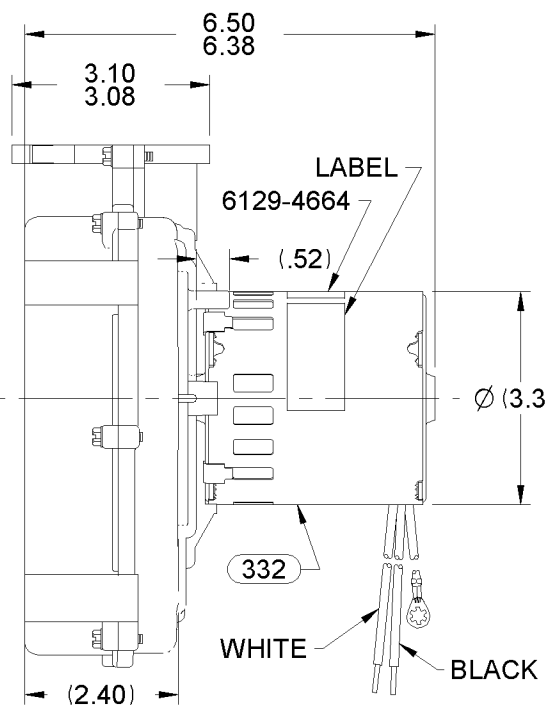
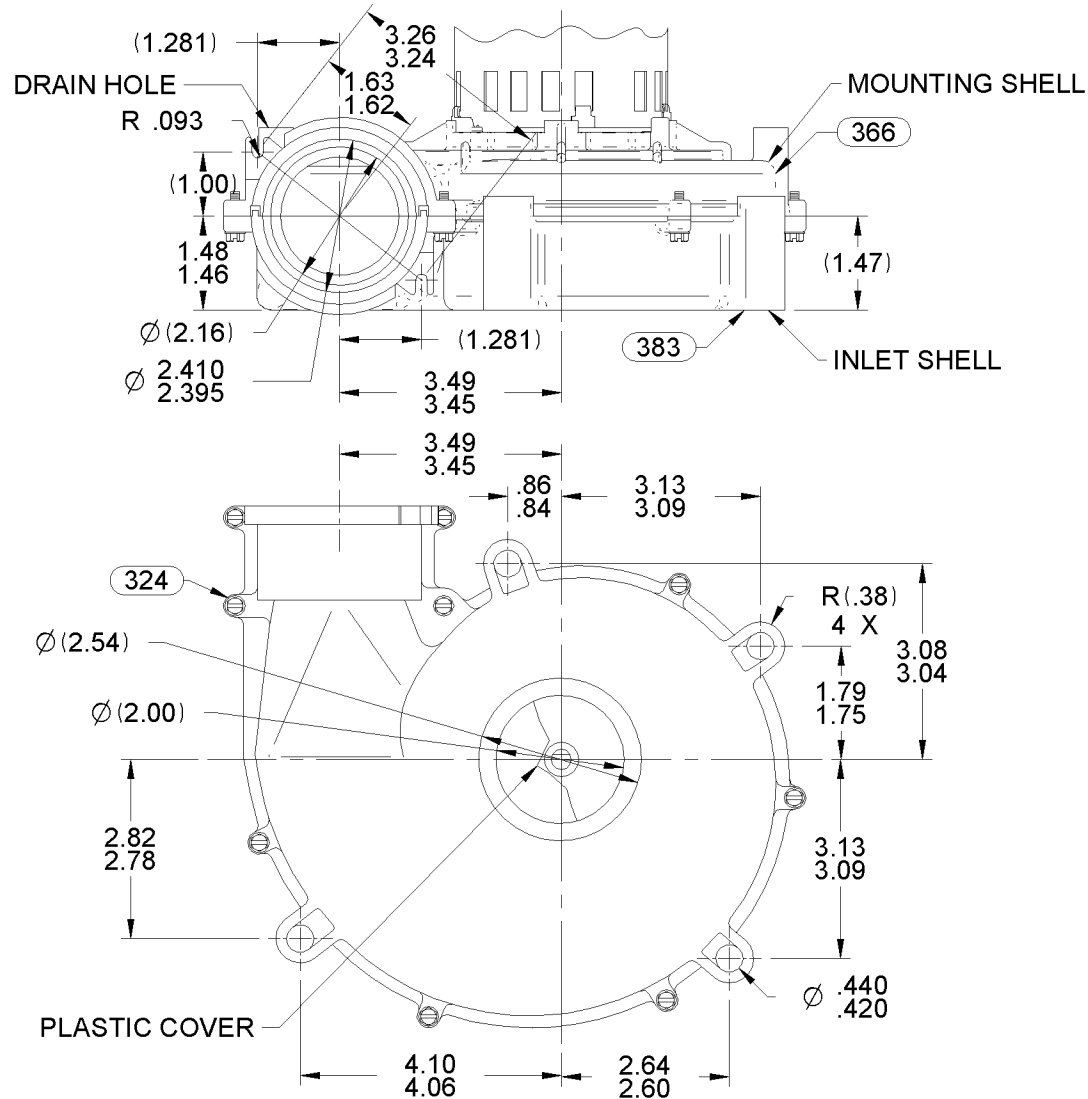


EXHAUST DETAIL

APPLICATION	FURNACE BLOWER								
THERMALLY PROTECTED CLASS "B" INSULATION	B	LA	FR	A	S	C	E	B	A
416 S.S. SHAFT	PB	21	30	F	04	DJ	5	3	C
CUSTOMER	FASCO DIST.								
CUSTOMER PART NO.	A283								

GROUND MATERIAL  
 18 GA. 125°C 2/64 INS.  
 X-LINK POLY., GRN/YEL  
 19.00/17.00 IN. LONG  
 W/RING TERM. 8902-0156  
 AMP #61794-1

LEAD MATERIAL  
 18 GA. 125°C 4/64 INS.  
 EPDM. (1)BLACK,  
 (1)WHITE  
 23.00/21.00 IN. LONG  
 .81/.69 IN. STRIP



PERFORMANCE TEST DATA				UNLESS OTHERWISE SPECIFIED DIMENSIONS ARE IN INCHES TOLERANCES ARE:			FASCO FASCO MOTORS GROUP AC MOTOR/BLOWER DIVISION		
ECO. NO.	REV.	DATE	APPROVAL	FRACTIONS ± 1/16	DECIMALS .XX ± .01 .XXX ± .005	ANGLES ± 1°	CONFIDENTIAL: DO NOT DUPLICATE OR DISCLOSE TO THIRD PARTIES WITHOUT WRITTEN PERMISSION OF FASCO MOTORS GROUP, AC MOTOR/BLOWER DIVISION.		
4002778	04	07/28/2011	SDM/PLA	TEST PERFORMANCE WITH INLET RESTRICTED TO 1 1/4 IN. TEST COMPLETE BLOWER AT 115 V. 60 HZ. WITH ENTERING AIR AT 70° ± 5° F. (A) BLOWER RPM TO READ 3012 / 3125 R.P.M. (B) TOTAL NEGATIVE PRESSURE [ INCH W.C.] TO READ 1.9/2.2 AT STANDARD AIR.			APPROVALS	DATE	
				BLOWER WEIGHT 3 5/8 LBS.			END PLAY .030/.010	FINISH COLOR FLAT BLACK	
							TITLES		
							DRAWN JMH 11/02/2005		
							CHECKED PLA 11/02/2005		
							TITLE BLOWER ASSEMBLY		
							SIZE B	DWG. NO. 7021 11904	REV. 04
							DO NOT SCALE DRAWING SHEET 1 OF 2		