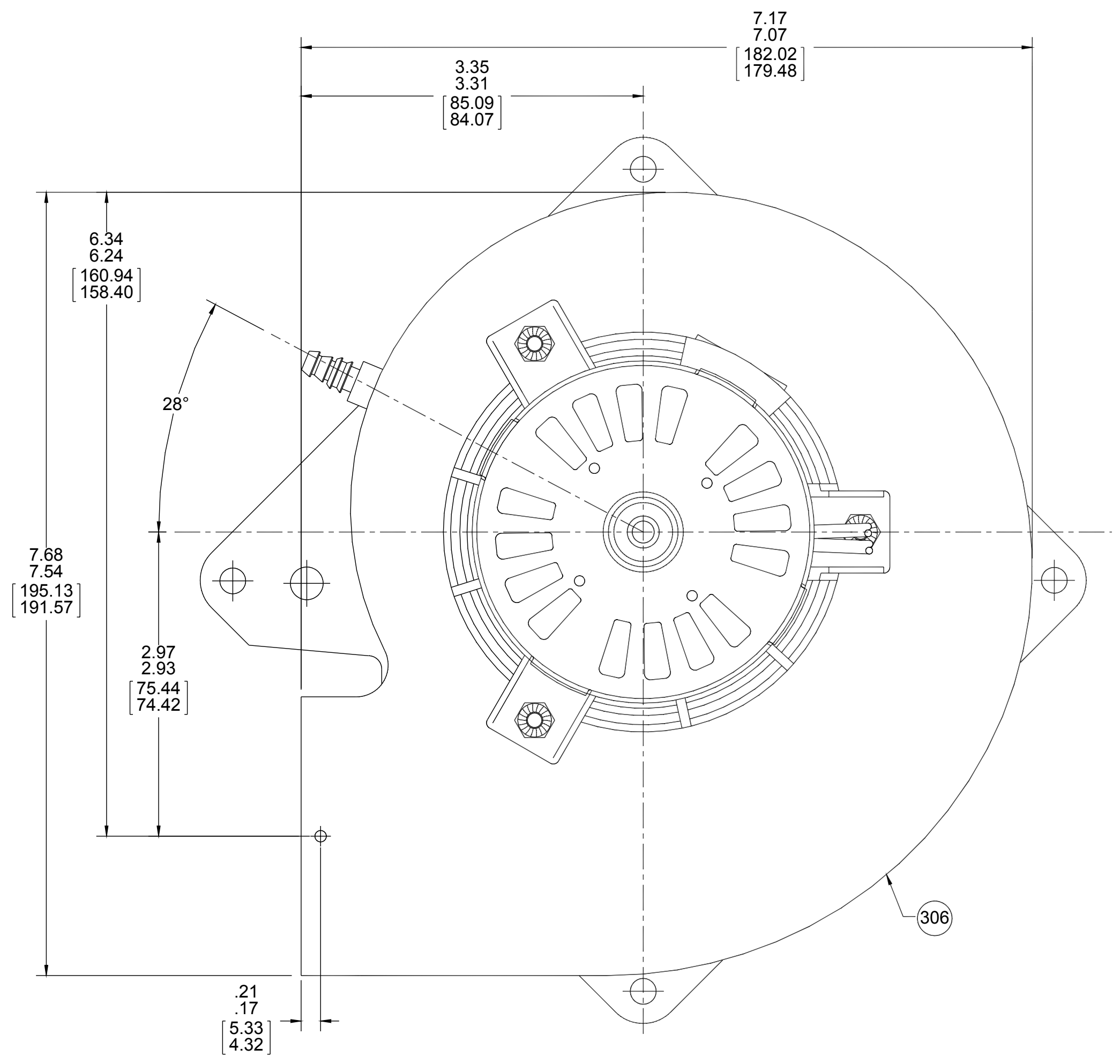
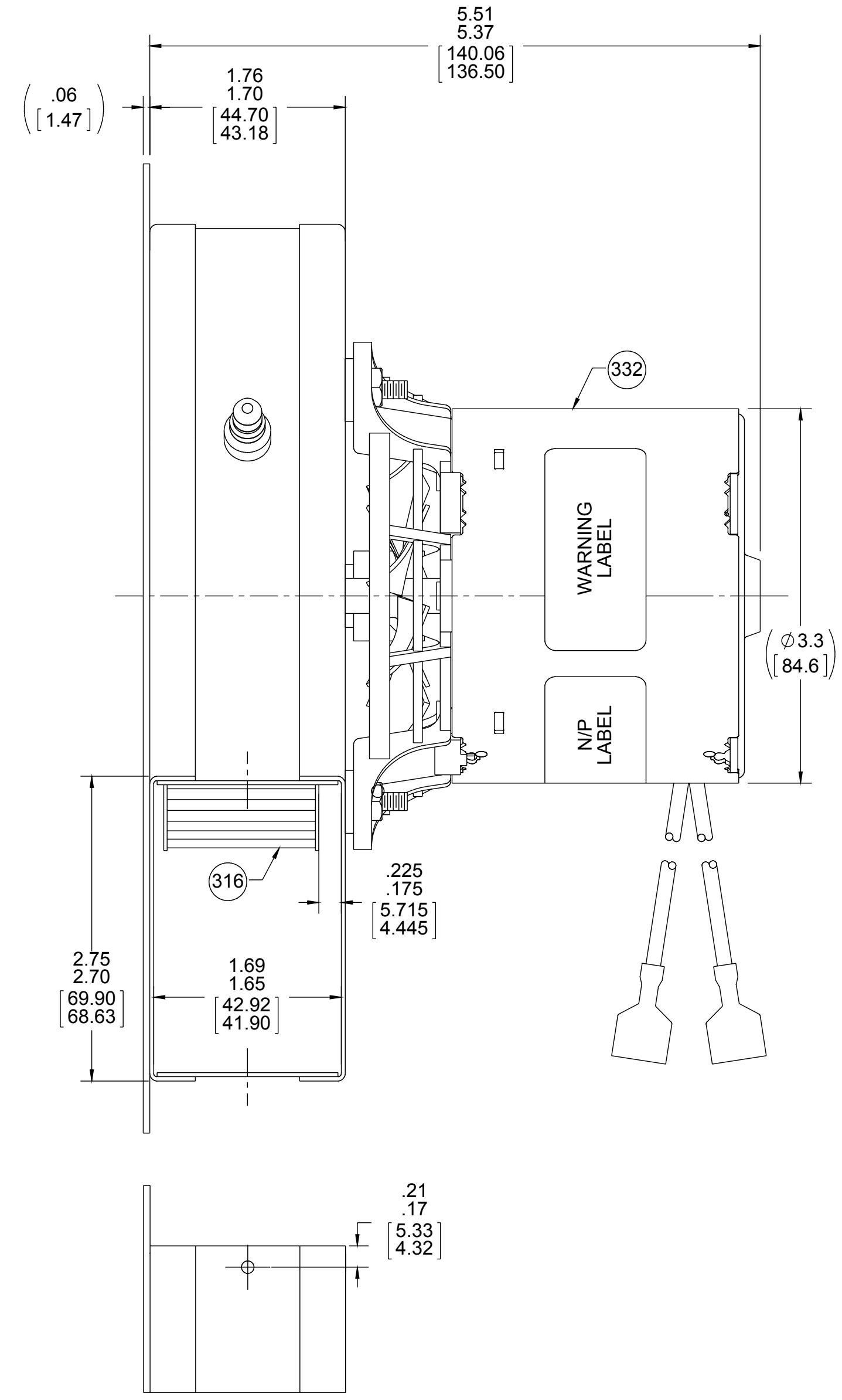
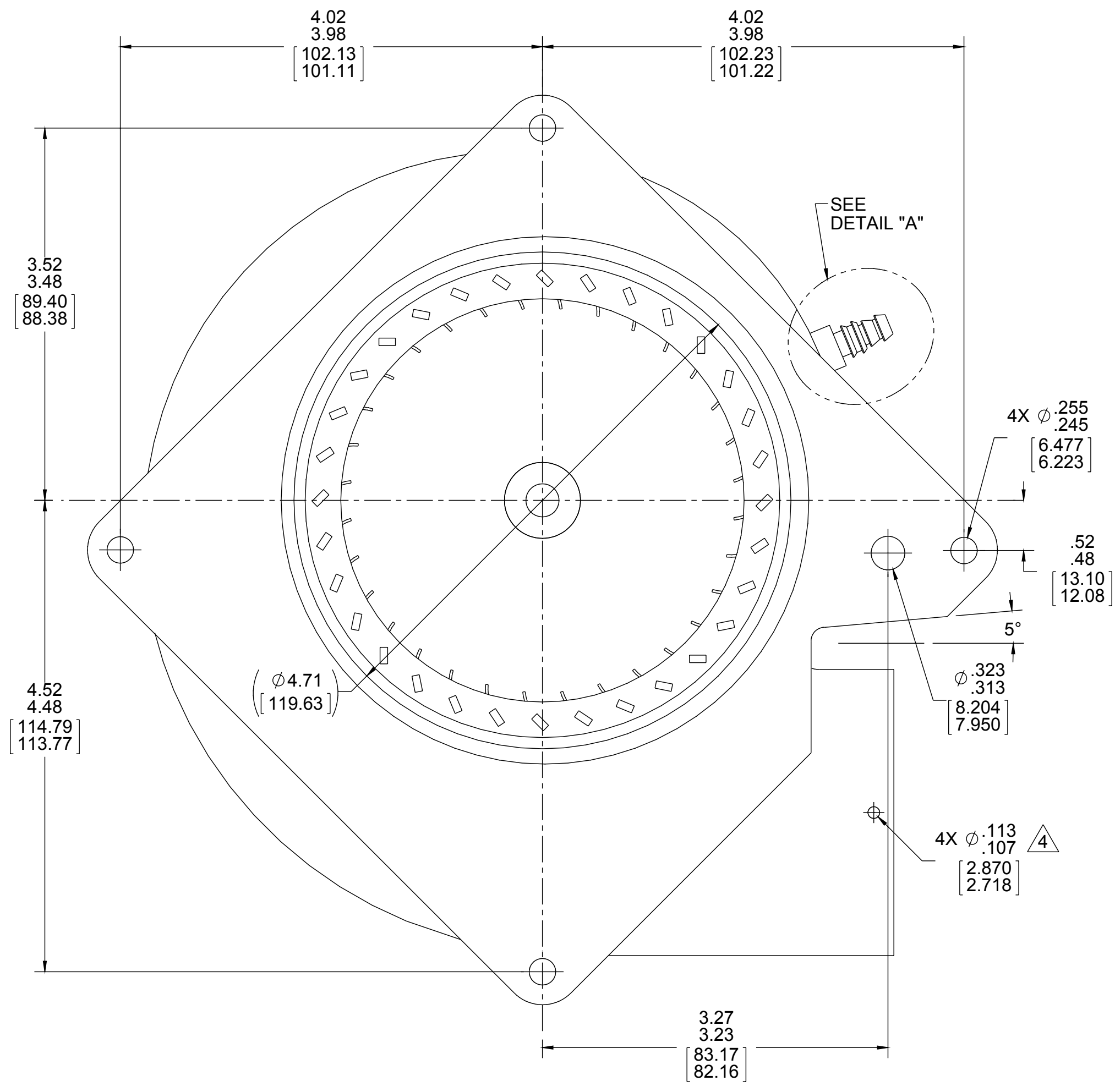
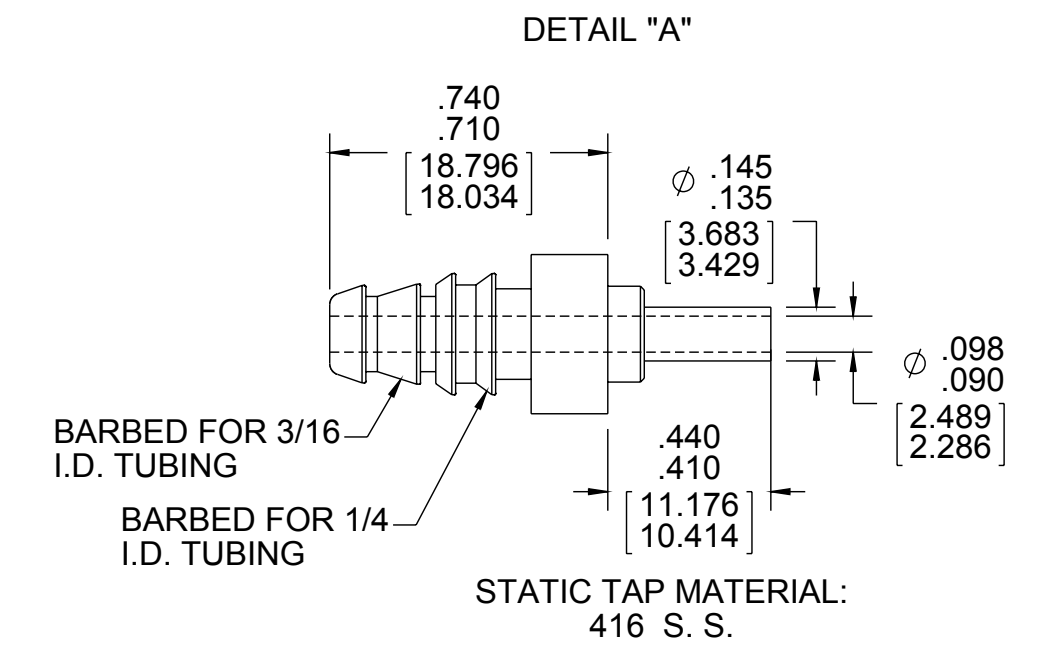


- NOTES:
1. NO STA- LOC REQUIRED ON IMPELLER.
 2. STATIC TAP READING IS TO BE -.7 MINIMUM CORRECTED TO STANDARD AIR (0.075 LB/FT³) WITH A 1/16 INLET RESTRICTOR.
 3. STATIC TAP TO BE TIGHT AND SECURELY FASTENED.
 4. NOTE: SPECIAL HOLE SIZE.
 5. INSPECTION TEST FIXTURE REQUIRED.
 6. PACK 1 PER CONTAINER, 16 CONTAINERS PER LAYER, 5 LAYERS PER PALLET, 80 MAX. PER PALLET, PACKING ASSY. 87854707, PER 88834200 AND 88834408.
 7. CARTON LABELS MUST ALL FACE ONE DIRECTION TOWARD THE OPEN END OF THE PALLET. PER 88834408.
 8. NO PACKAGING TAPE OVER CARTON LABEL.
 9. BLOWER - NATURAL, MOTOR - FLAT BLACK

THERMALLY PROTECTED CLASS "B" INSULATION 416 SS SHAFT

APPLICATION:	FURNACE	B	LA	FR	A	S	C	E	B	A
CUSTOMER:	FASCO DIST.	12	21	47	V	02	GJ	5	3	0
CUSTOMER PN:	A282									

LEAD MATERIAL
 18 GA. 125°C 2/64 INSUL
 X-LINKED POLY. (1) BROWN
 AND (1) BLUE
 18.00/16.00 [457.20/406.40]
 W/ MSPADE TERM. 89039148
 AMP 2-520102-2



TYPICAL PERFORMANCE TEST DATA WITH 1/16" INLET RESTRICTOR AT 220 VOLTS 50 Hz

	RPM	WATTS	AMPS
	2754	49	.35

BLOWER WEIGHT 4.5 LBS. ENDPLAY .030/.010 [0.762/0.254]

DRAWING REVISION	D	REVISION BY	SDM	DATE	2/4/2016	TOLERANCES UNLESS OTHERWISE SPECIFIED:	DRAWN BY	SDM
ECO	ECO-0092896	APPROVED BY	BGP	DATE	2/4/2016	DEC. INCH. mm ANGLE	DATE	2/4/2016
CHANGE PACKING NOTE						XX +0.01 [-0.25]	APPROVED BY	BGP
BLOWER ASSY						XXX +0.005 [-0.127]	DATE	2/4/2016
BLOWER WEIGHT 4.5 LBS. ENDPLAY .030/.010 [0.762/0.254]						XXXX +0.0005 [-0.0127]	REFERENCE	
BLOWER ASSY						REMOVE BURRS & BREAK SHARP EDGES: .003/.015 [0.076/381] X 45°	MATERIAL	SEE NOTE 9
BLOWER ASSY						CORNER FILLETS: R.02 [51]	THIRD ANGLE PROJECTION	D
BLOWER ASSY						MACHINED SURFACES: 125/32	SIZE	D
BLOWER ASSY						mm SHOWN IN [BRACKETS]	DRAWING NUMBER	702111903
BLOWER ASSY							SHEET	1 OF 1

