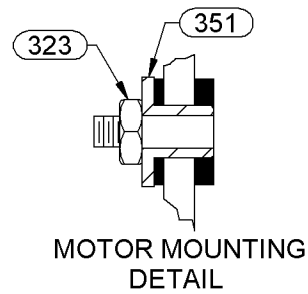


NOTES:

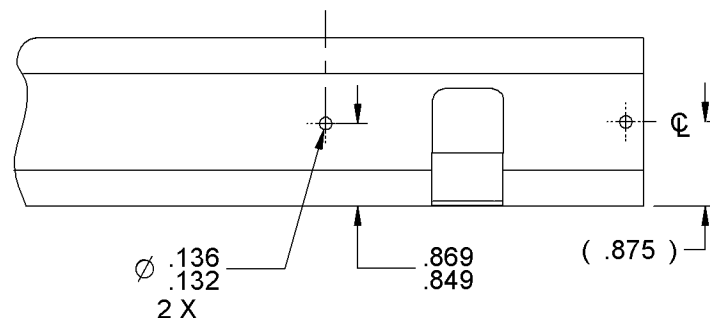
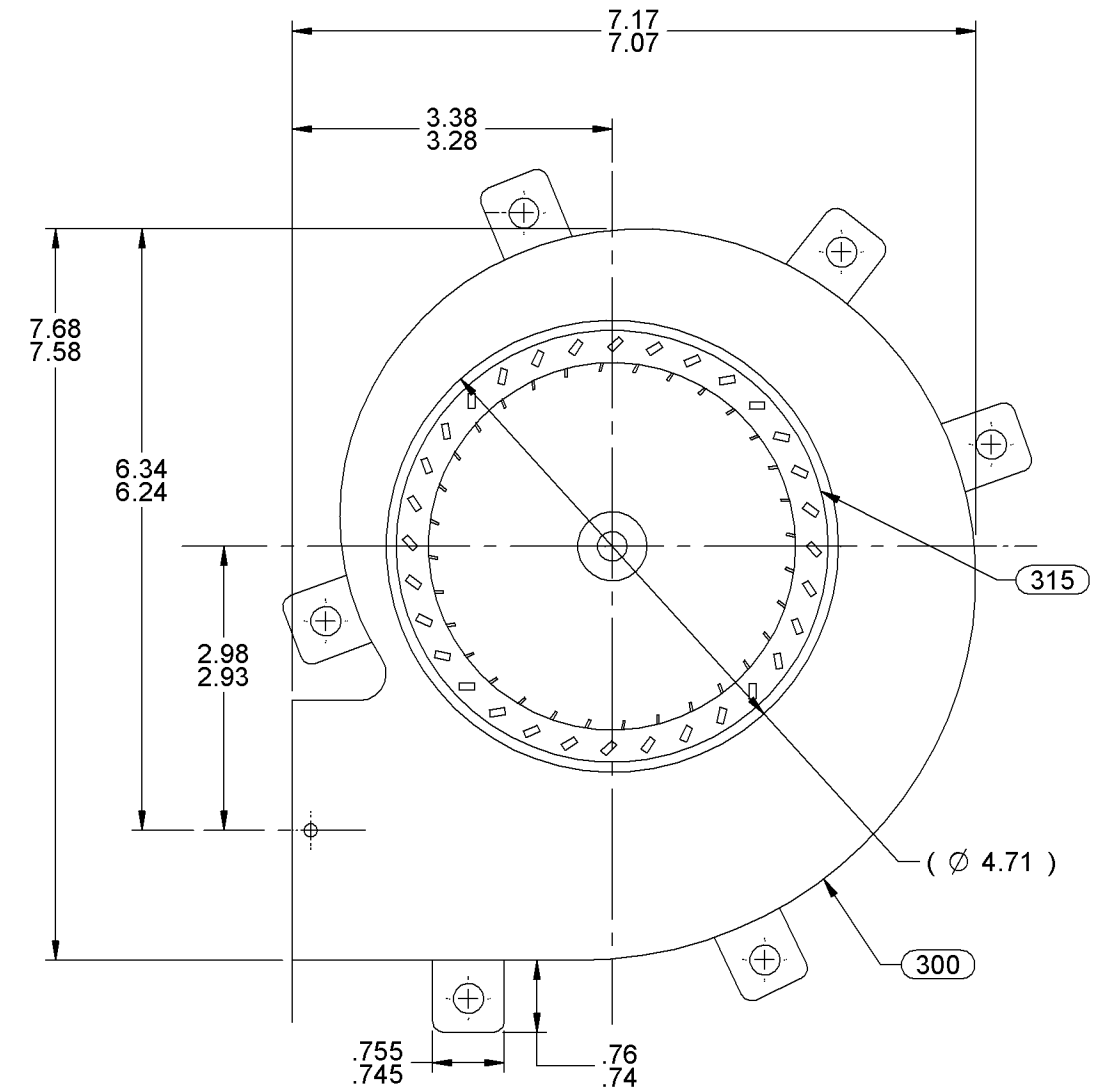
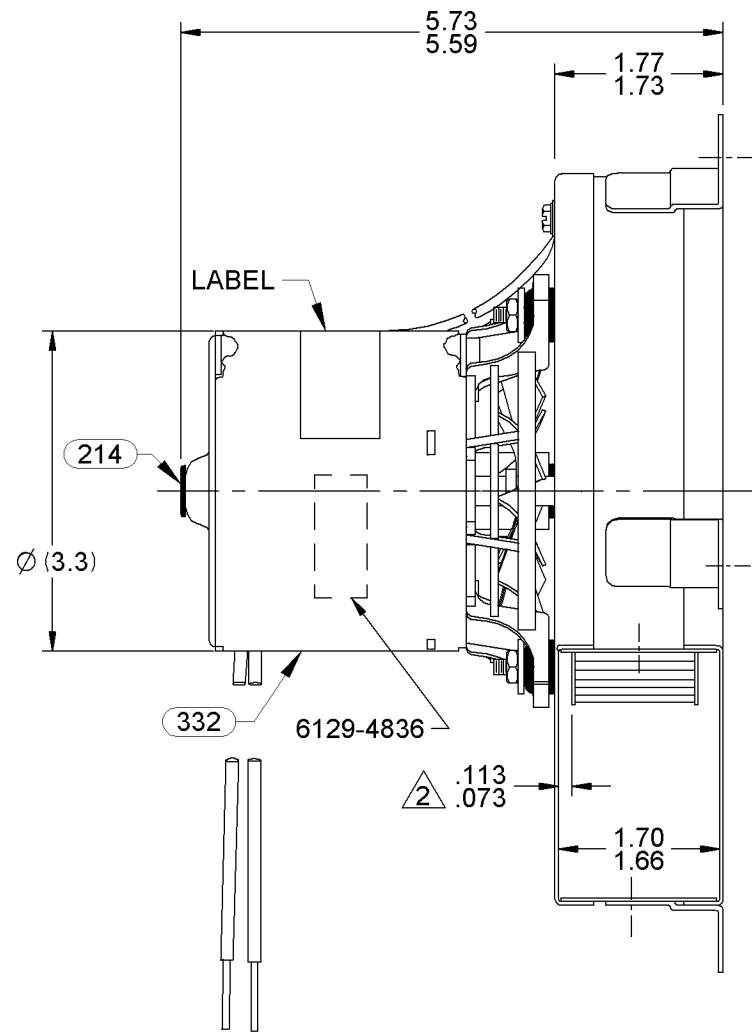
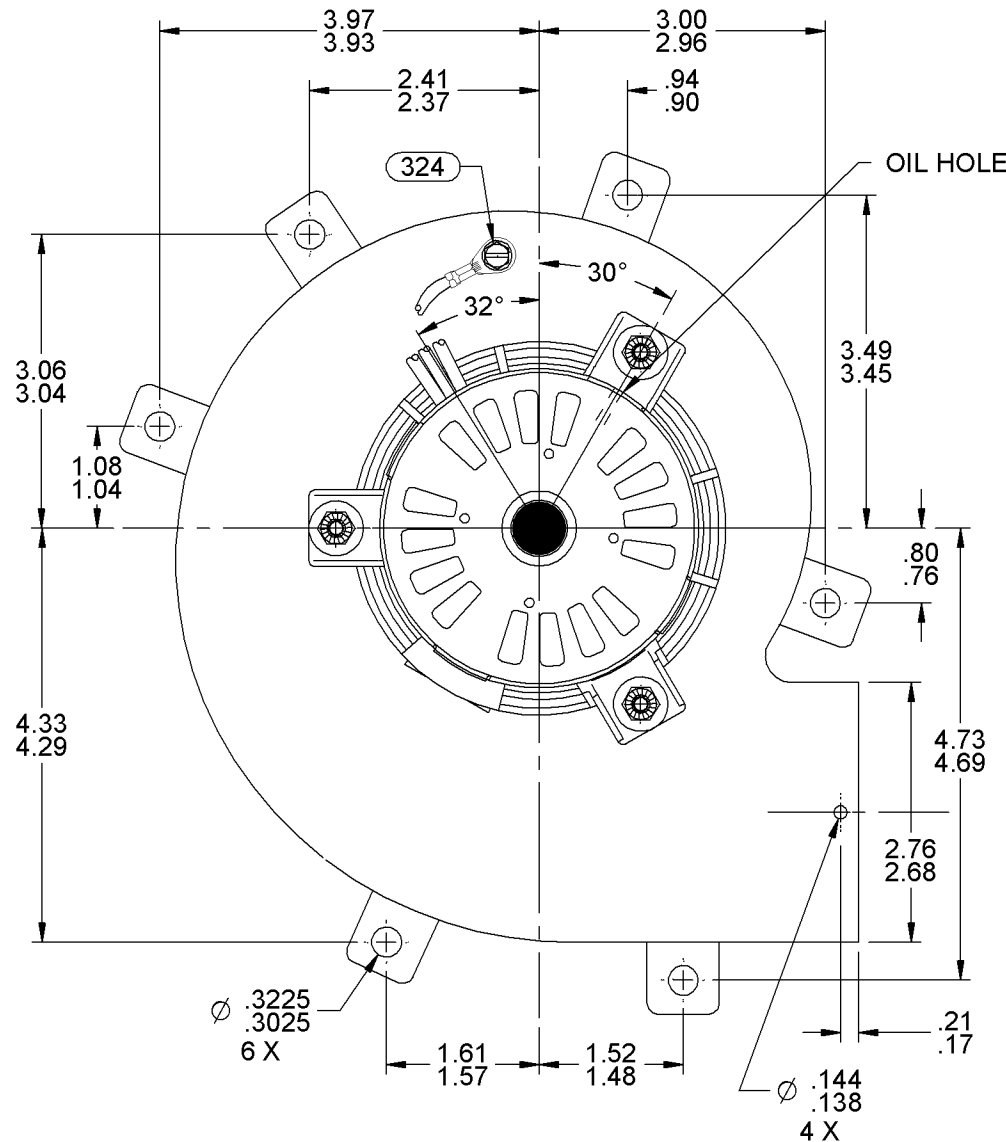
1. NO STA-LOC REQUIRED ON IMPELLER.
2. DIM. TO BE MEASURED WITH ENDPLAY PULLED OUT. ASSEMBLE IMPELLER USING TOOL NO. 018-086-001.
3. SECURE GROUND LEAD TO BLOWER HSG. WITH PC 324 SCREW AS SHOWN.
4. INSPECTION TEST FIXTURE IS REQUIRED.
5. PACK 1 PER CONTAINER, 80 MAX. PER PALLET, PACKING ASSY: 87854335, 16 CONTAINERS PER LAYER, 5 LAYERS PER PALLET, P.S. 88834200 AND P.S. 88834408.
6. CARTON LABELS MUST ALL FACE ONE DIRECTION TOWARD THE OPEN END OF THE PALLET. SEE 88834408.
7. NO PACKAGING TAPE OVER CARTON LABEL.



APPLICATION	FURNACE								
THERMALLY PROTECTED CLASS "B" INSULATION	B	LA	FR	A	S	C	E	B	A
416 S.S. SHAFT	12	21	47	V	02	EJ	5	3	0
CUSTOMER	FASCO DIST.								
CUSTOMER PART NO.	A281								

GROUND LEAD MATERIAL
 18 GA. 125°C 2/64 INSUL.
 X-LINK POLY., GRN/YEL.
 7.50/5.50 IN. LONG
 W/RING TERM. 89020156
 AMP 61794-1

LEAD MATERIAL
 18 GA. 125°C 4/64 INSUL.
 EPDM, BLACK, WHITE
 28.00/26.00 IN. LONG
 .81/.69 IN. STRIP



TYPICAL PERFORMANCE TEST DATA WITH 1/16 INLET RESTRICTOR

AT	115	VOLTS	60	HZ.
	R.P.M.	WATTS	AMPS	
	3243	68	.93	

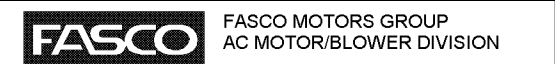
UNLESS OTHERWISE SPECIFIED DIMENSIONS ARE IN INCHES TOLERANCES ARE:

FRACTIONS ± 1/16	DECIMALS XX ± .01	ANGLES XXX ± .005
------------------	-------------------	-------------------

ECO. NO.	REV.	DATE	APPROVAL
4001668	05	04/11/11	MLM/PLA
4004036	06	12/14/11	BGP/SMC
4009736	07	7/15/2013	MLS/PLA

BLOWER WEIGHT	4.75 LBS.	END PLAY	.025/.008
---------------	-----------	----------	-----------

APPROVALS	DATE
DRAWN PLA	11/07/2005
CHECKED JMH	11/07/2005
MOTOR - FLAT BLACK	FINISH COLOR HOUSING - NATURAL



CONFIDENTIAL: DO NOT DUPLICATE OR DISCLOSE TO THIRD PARTIES WITHOUT WRITTEN PERMISSION OF FASCO MOTORS GROUP, AC MOTOR/BLOWER DIVISION.

TITLE		
BLOWER ASSEMBLY		
SIZE	DWG. NO.	REV.
B	7021 11902	07
DO NOT SCALE DRAWING		SHEET 1 OF 1