

NOTES:

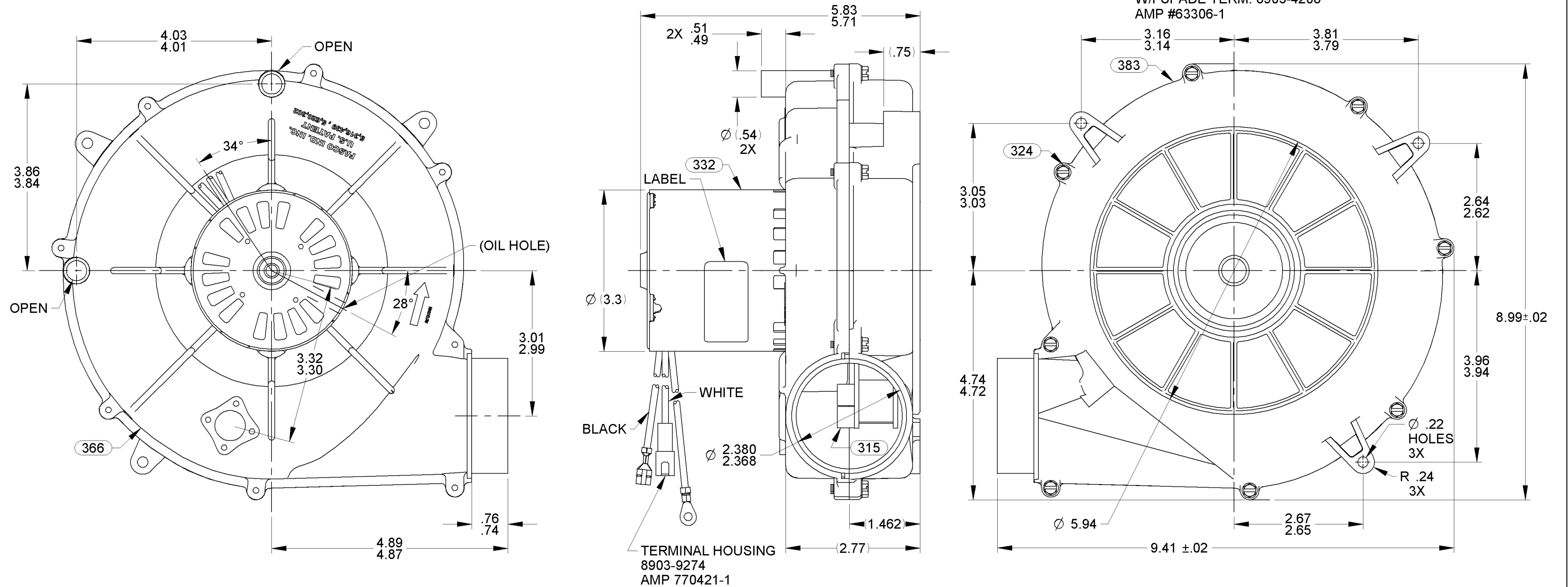
1. PACK 1 PER CONTAINER, 36 MAX. PER PALLET, PACKING ASSY. 8785 4916, 12 CONTAINERS PER LAYER, 3 LAYERS PER PALLET, P.S. 8883 4200 AND P.S. 8883 4408.
2. CARTON LABELS MUST ALL FACE ONE DIRECTION TOWARD THE OPEN END OF THE PALLET. SEE P.S. 8883 4408.
3. NO PACKING TAPE OVER CARTON LABEL.

APPLICATION	90+ GAS FURNACE								
	B	LA	FR	A	S	C	E	B	A
	PF	21	30	F	02	HW	5	3	0
CUSTOMER	FASCO DIST.								
CUSTOMER PART NO.	A276								

THERMALLY PROTECTED CLASS "B" INSULATION
416 S.S. SHAFT

LEAD MATERIAL
18 GA. 125°C 2/64 INS.
X-LINKED POLY. (1) WHITE
7.00/5.00 IN. LONG
W/PIN TERM.8903-9085
AMP #350218-1
AND (1) BLACK
11.00/9.00 IN. LONG
W/FSPADE TERM. 8903-4208
AMP #63306-1

GROUND LEAD MATERIAL
18 GA. 125°C 2/64 INS.
X-LINKED POLY. GRN/YEL
15.00/13.00 IN. LONG
W/RING TERM. 8903-9009
AMP #40955



TYPICAL PERFORMANCE TEST DATA IN FREE AIR				UNLESS OTHERWISE SPECIFIED DIMENSIONS ARE IN INCHES TOLERANCES ARE:		FASCO FASCO MOTORS GROUP AC MOTOR/BLOWER DIVISION	
AT	115	VOLTS	60	HZ.	APPROVALS		DATE
	R.P.M.	WATTS	AMPS		DRAWN	SDM	12/27/2005
	2635	96	1.22		CHECKED	BGP	12/27/2005
BLOWER WEIGHT			END PLAY		FINISH COLOR	FLAT BLACK	
3 5/8 LBS.			.030/.010			DO NOT SCALE DRAWING	

CONFIDENTIAL: DO NOT DUPLICATE OR DISCLOSE TO THIRD PARTIES WITHOUT WRITTEN PERMISSION OF FASCO MOTORS GROUP, AC MOTOR/BLOWER DIVISION.	TITLE		REV.
	BLOWER ASSEMBLY		02
SIZE	DWG. NO.	SHEET	
B	7021 11871	1 OF 2	