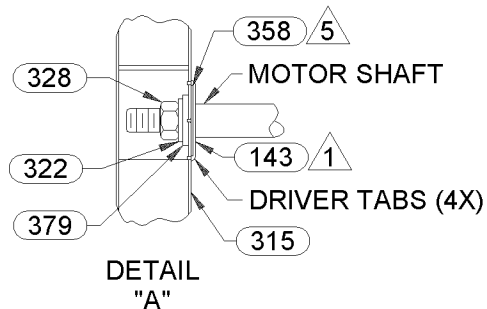
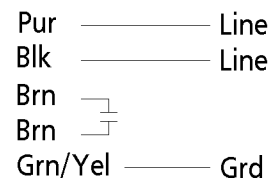


NOTES:

1. TO OBTAIN THE .950/.850" IMPELLER LOCATION, PC 143 MUST BE PRESSED ON SHAFT.
2. PACK 1 PER CARTON, 12 MAX PER PALLET. PACKING ASSY: 87854663 6 CARTONS PER LAYER, 2 LAYERS PER PALLET, P.S. 88834200 AND 88834408.
3. .031 MAX. AXIAL IMPELLER RUNOUT.
4. SEE SPECIFICATION SHEET 63004334 FOR TESTING REQUIREMENTS.
5. WASHER PC 358 MUST BE BETWEEN DRIVER AND IMPELLER.
6. CARTON LABELS MUST ALL FACE ONE DIRECTION TOWARD THE OPEN END OF THE PALLET. SEE P.S. 88834408.
7. NO PACKAGING TAPE OVER CARTON LABEL.
8. SAFETY WARNING LABEL IS LOCATED ON BLOWER MOTOR PER MOTOR DRAWING.
9. PLACE (1) PC 377 GASKET IN PLASTIC BAG AND PLACE IN EACH CONTAINER.

Connection Diagram

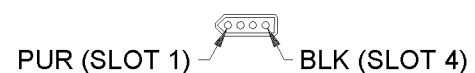
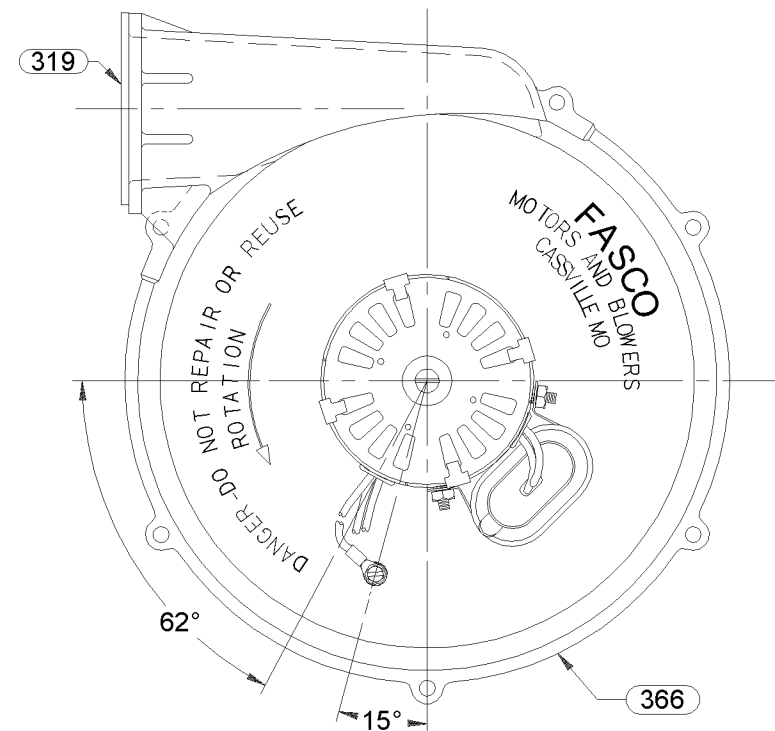
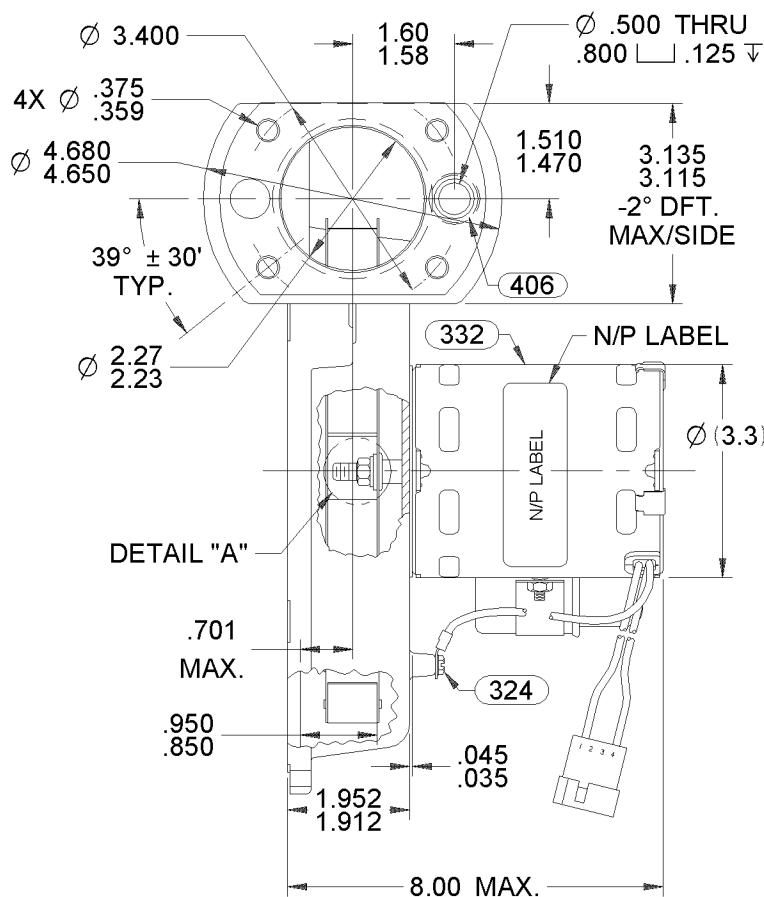
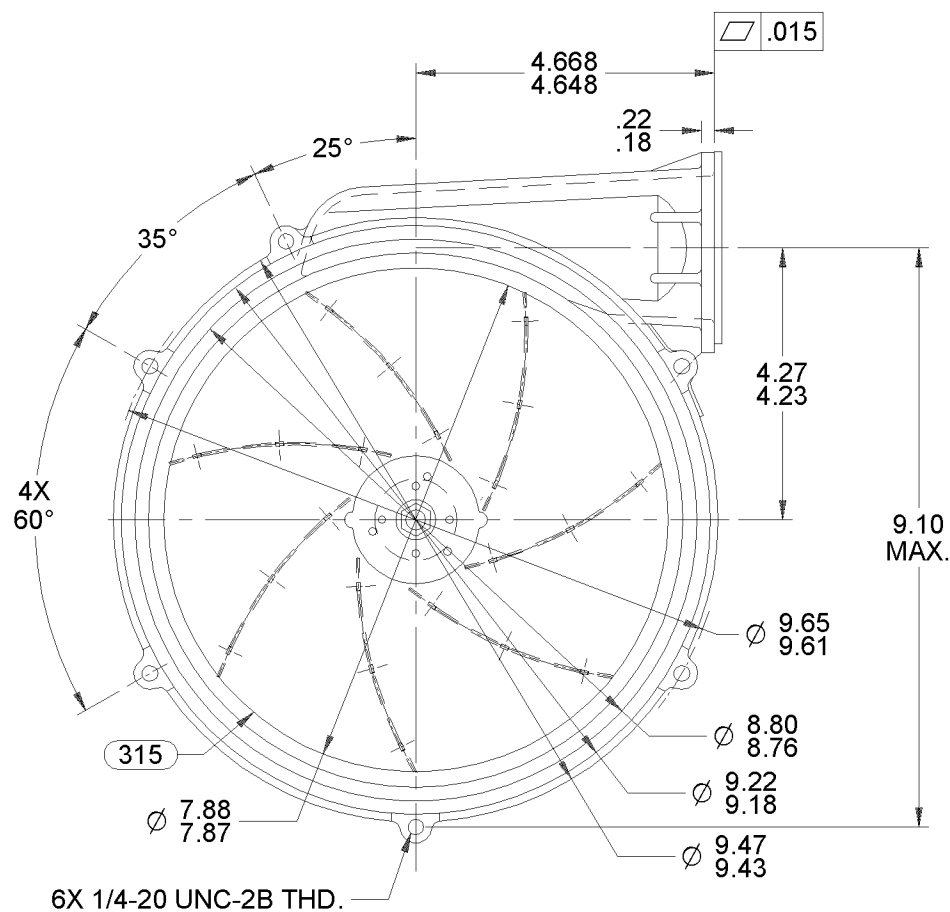


APPLICATION	DISTRIBUTION	B	LA	FR	A	S	C	E	B	A
SEALED BALL BEARING	CLASS B INSULATION	92	62	30	V	05	EK	5	0	0
THERMALLY PROTECTED	416 S.S. SHAFT	CUSTOMER FASCO DIST.								
CUSTOMER PART NO. A274										

CAPACITOR LEADS
 18 GA. 125°C 2/64 INSUL.
 X-LINKED POLY. (2) BRN
 6.25/4.25 IN. LONG
 W/FFLAG TERM. 89034045
 AMP 42742-2

GROUND LEAD
 18 GA. 125°C 2/64 INSUL.
 X-LINKED POLY. GRN/YEL
 10.00/8.00 IN. LONG
 W/RING TERM. 00081906
 AMP 2-34148-1

LEAD MATERIAL
 18 GA. 125°C 2/64 INSUL.
 X-LINKED POLY. (1) PUR
 AND (1) BLK,
 14.00/12.00 IN. LONG, MEASURED
 TO BACK OF TERMINAL HOUSING
 W/PIN TERM. 89034153
 AMP 350416-1,
 AND TERM. HSG. 89039302
 AMP 770078-1



TYPICAL PERFORMANCE TEST DATA
 IN FREE AIR WITH 135 MBH INLET ASSEMBLY
 AT 208 - 230 VOLTS 60 HZ.

CAPACITOR
 3 MFD
 440 VAC

UNLESS OTHERWISE SPECIFIED DIMENSIONS ARE
 IN INCHES TOLERANCES ARE:
 FRACTIONS DECIMALS ANGLES
 ± 1/16 .XX ± .01 ± 1°
 .XXX ± .005

ECO. NO.	REV.	DATE	APPROVAL
4005098	07	3/28/2012	SDM/PLA
4005760	08	6/19/2012	SED/SDM
4006057	09	07/19/2012	MLM/KSA
4010207	10	8/30/2013	MLH/KSA

	R.P.M.	WATTS	AMPS
230 V	3520	50	.28
208 V	3490	45	.28
BLOWER WEIGHT 6.38 LBS.			END PLAY NONE

APPROVALS	DATE
DRAWN ATM	08/12/2005
CHECKED SMM	08/12/2005
FINISH COLOR	MOTOR: BLACK BLOWER: NATURAL

FASCO FASCO MOTORS GROUP
 AC MOTOR/BLOWER DIVISION

CONFIDENTIAL: DO NOT DUPLICATE OR DISCLOSE TO THIRD PARTIES WITHOUT WRITTEN PERMISSION OF FASCO MOTORS GROUP, AC MOTOR/BLOWER DIVISION.

TITLE
BLOWER ASSEMBLY

SIZE B	DWG. NO. 7062 5785	REV. 10
DO NOT SCALE DRAWING		SHEET 1 OF 1