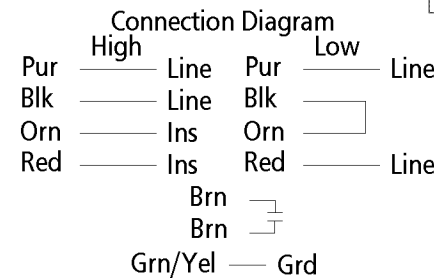
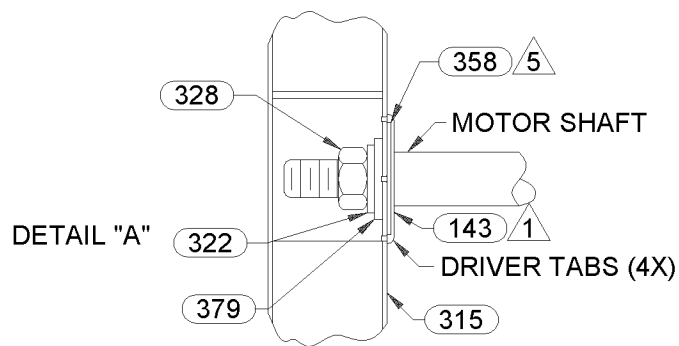


NOTES:

1. TO OBTAIN THE 1.368/1.268 IMPELLER LOCATION, PC 143 MUST BE PRESSED ON SHAFT.
2. PACK 1 PER CARTON, 12 MAX PER PALLET. PACKING ASSY: 87854663 6 CARTONS PER LAYER, 2 LAYERS PER PALLET. P.S. 88834200 AND P.S. 88834408.
3. .031 MAX. AXIAL IMPELLER RUNOUT.
4. SEE SPECIFICATION SHEET 63004336 FOR TESTING REQUIREMENTS.
5. WASHER PC 358 MUST BE BETWEEN DRIVER AND IMPELLER.
6. CAPACITOR RATING: 5 MFD/440 VAC.
7. CARTON LABELS MUST ALL FACE ONE DIRECTION TOWARD THE OPEN END OF THE PALLET. SEE P.S. 88834408.
8. NO PACKAGING TAPE OVER CARTON LABEL.
9. PLACE (1) PC 377 GASKET IN PLASTIC BAG AND PLACE IN EACH CONTAINER.

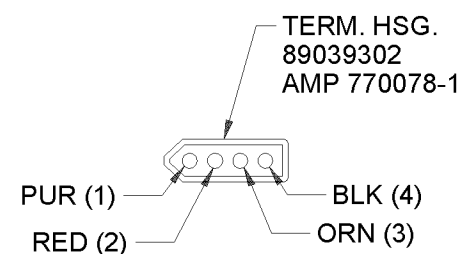
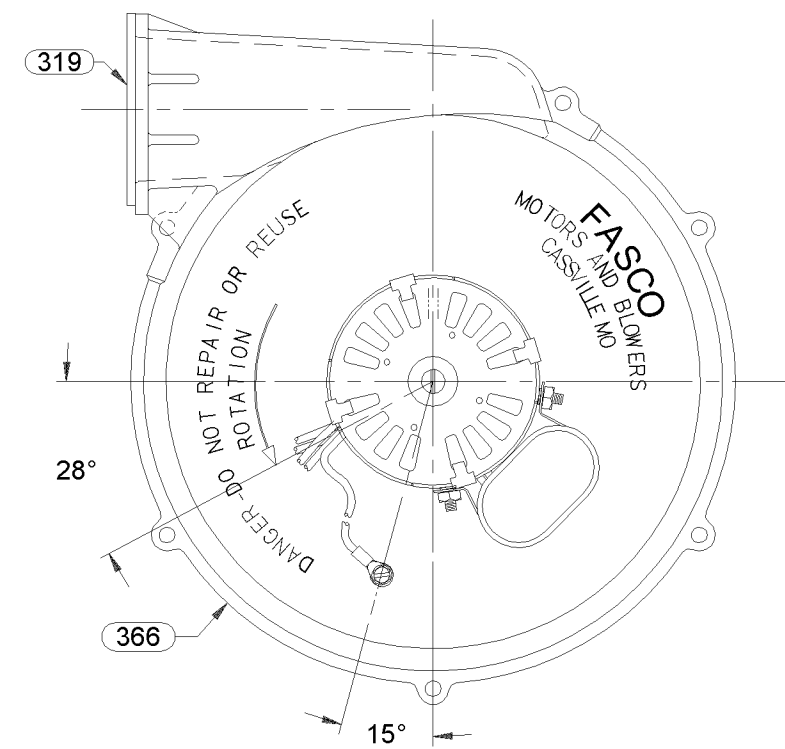
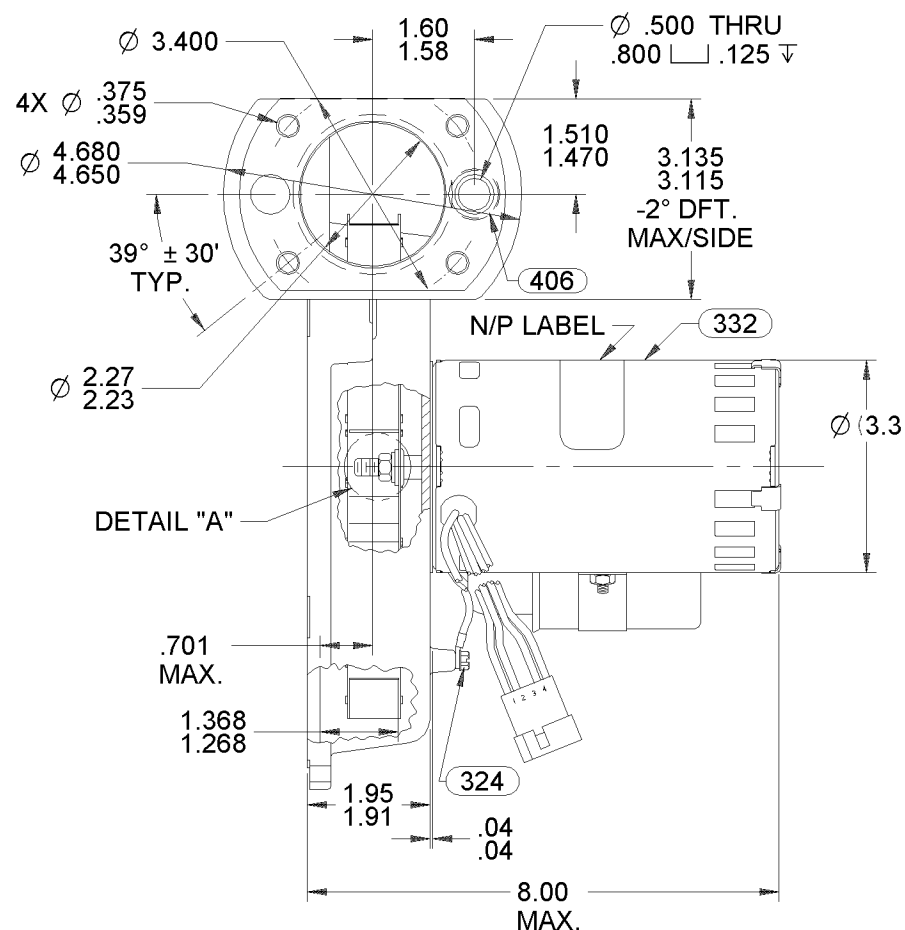
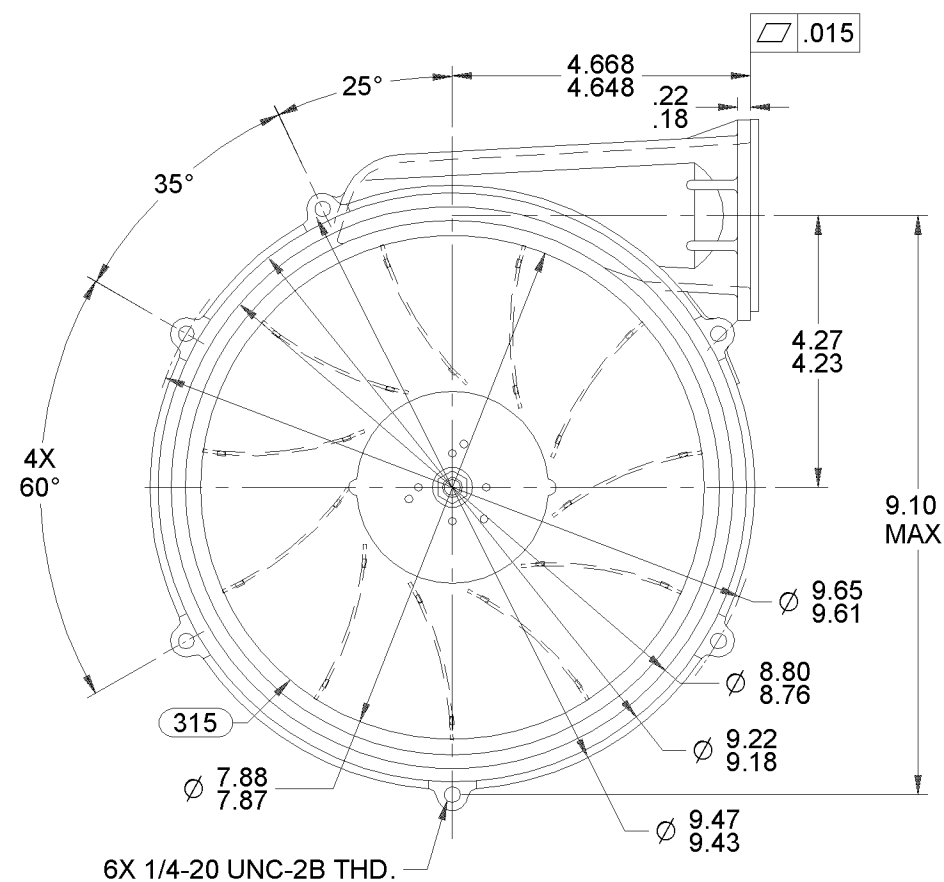


APPLICATION	DISTRIBUTION	B	LA	FR	A	S	C	E	B	A
	SEALED BALL BEARING CLASS B INSULATION THERMALLY PROTECTED SS 416 SHAFT	92	62	30	F	08	DU	6	0	0
CUSTOMER FASCO DIST.										
CUSTOMER PART NO. A273										

GROUND LEAD
18 GA. 125°C 2/64 INSUL.
X-LINKED POLY. GRN/YEL
6.00/4.00 IN. LONG
W/RING TERM. 00081906
AMP 2-34148-1

LEAD MATERIAL
18 GA. 125°C 2/64 INSUL.
X-LINKED POLY
(4) PIN TERMS 89034153
AMP 350416-1
14.00/12.00 IN. LONG
TO BACK OF TERM. HSG.

CAPACITOR LEADS
18 GA. 125°C 2/64 INSUL.
X-LINKED POLY. (2) BRN
3.50/4.50 IN. LONG
W/FFLAG TERMS. 89034045
AMP 42742-2



TYPICAL PERFORMANCE TEST DATA (SEE 6300 - 4336)
IN FREE AIR WITH 400 MBH INLET ASSEMBLY
AT 208 - 230 VOLTS 60 HZ.

UNLESS OTHERWISE SPECIFIED DIMENSIONS ARE
IN INCHES TOLERANCES ARE:
FRACTIONS ± 1/16 DECIMALS .XX ± .01 ANGLES ± 1°
XXX ± .005

ECO. NO.	REV.	DATE	APPROVAL
4005759	09	6/19/2012	SED/SDM
4006054	10	7/19/2012	MLM/KSA
4006358	11	8/21/2012	SED/BGP
4010221	12	9/3/2013	MLH/BGP

	R.P.M.	WATTS	AMPS
208 V	3470	115	.59
230 V	3490	135	.62
BLOWER WEIGHT 8.25 LBS.			END PLAY XX/XX

APPROVALS	DATE
DRAWN ATM	08/11/2005
CHECKED SMM	08/11/2005
FINISH COLOR	MOTOR: BLACK BLOWER: NATURAL

FASCO FASCO MOTORS GROUP
AC MOTOR/BLOWER DIVISION

CONFIDENTIAL: DO NOT DUPLICATE OR DISCLOSE TO THIRD PARTIES WITHOUT WRITTEN PERMISSION OF FASCO MOTORS GROUP, AC MOTOR/BLOWER DIVISION.

TITLE
BLOWER ASSEMBLY

SIZE B	DWG. NO. 7062 5784	REV. 12
DO NOT SCALE DRAWING		SHEET 1 OF 1