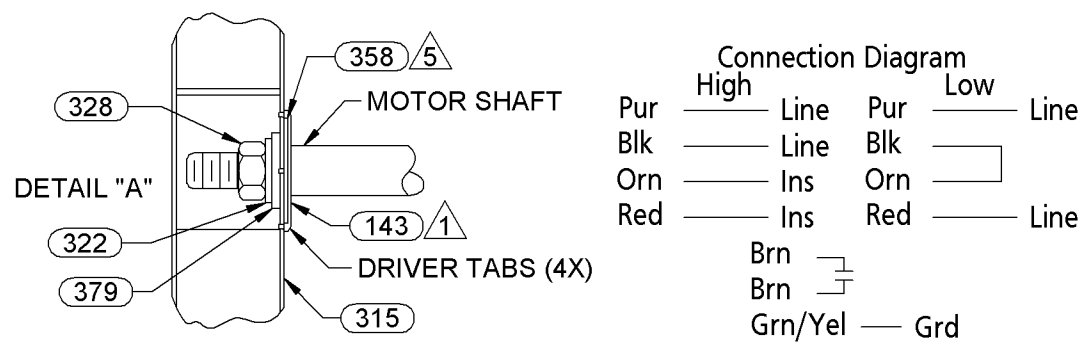
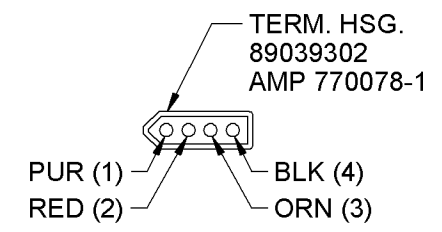
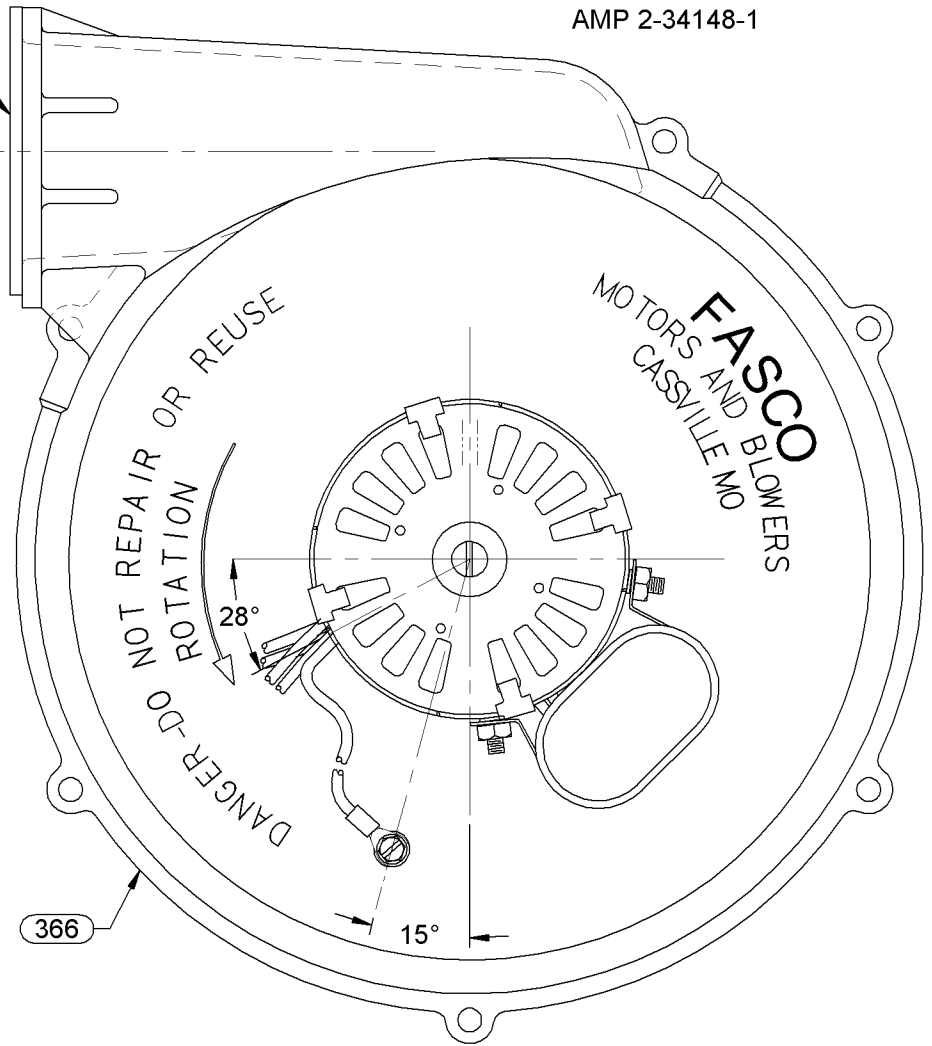
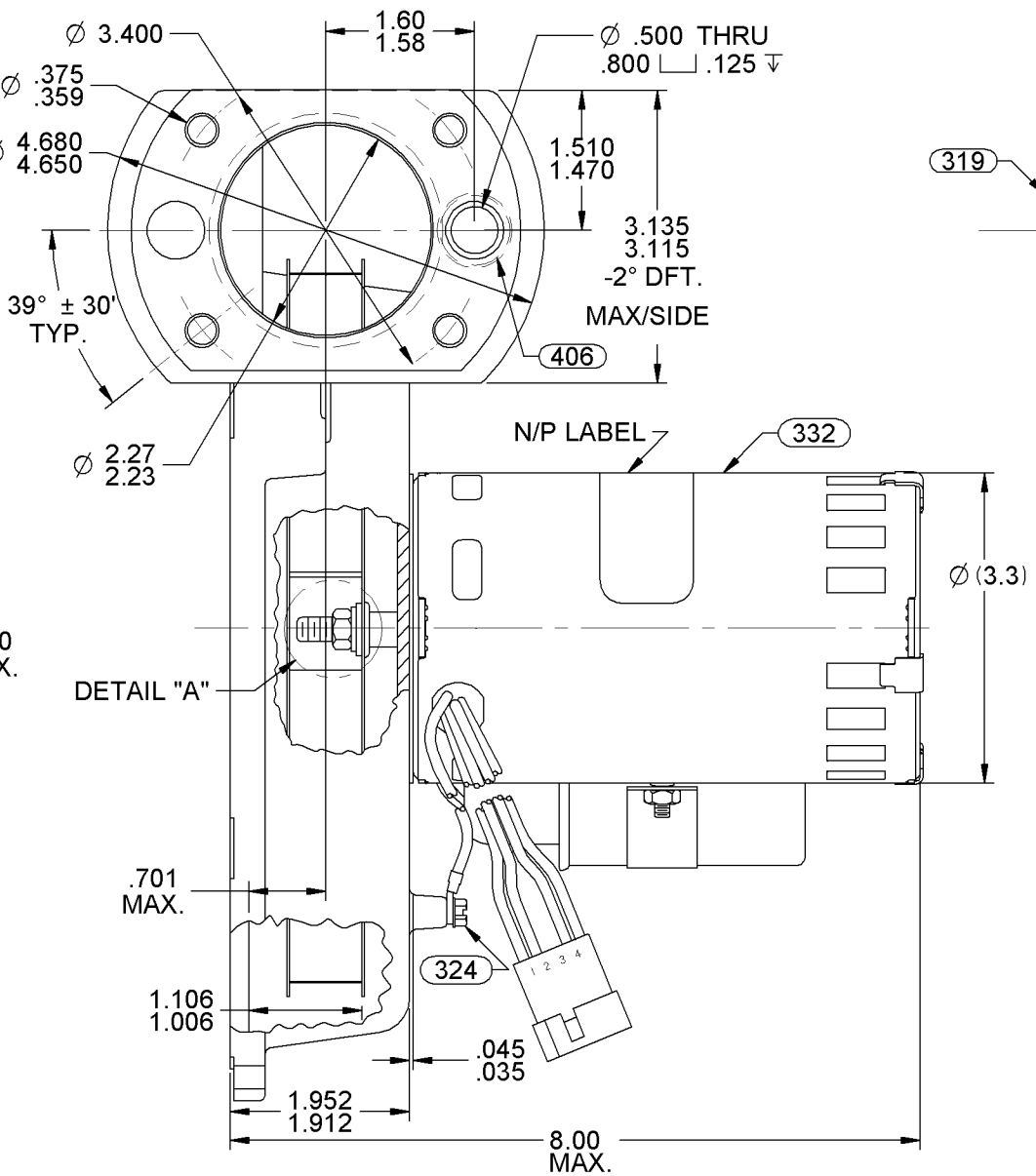
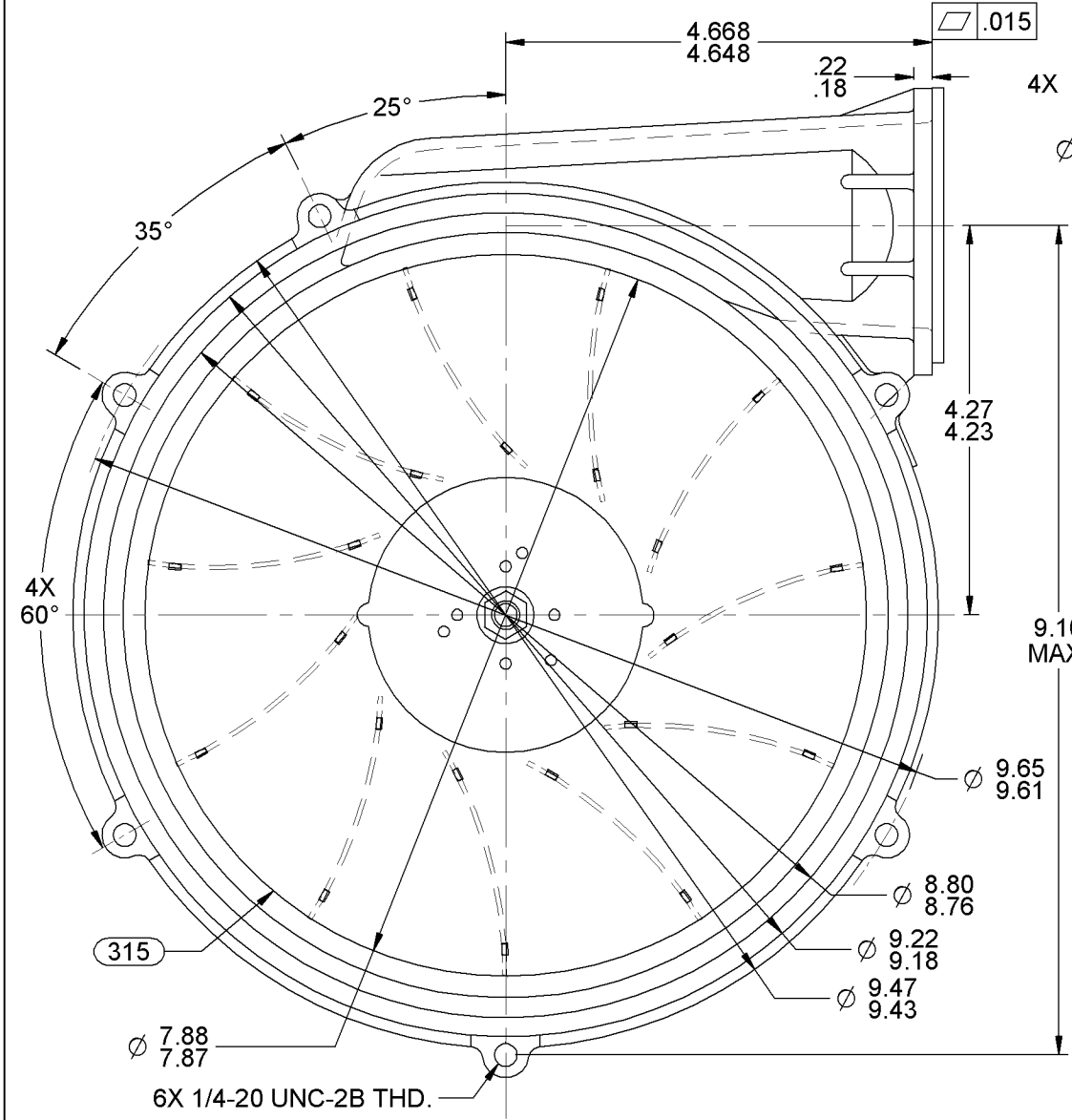


NOTES:

1. TO OBTAIN THE 1.106/1.006 IMPELLER LOCATION, PC 143 MUST BE PRESSED ON SHAFT.
2. PACK 1 PER CARTON, 12 MAX PER PALLET. PACKING ASSY: 87854663, 6 CARTONS PER LAYER, 2 LAYERS PER PALLET. P.S. 88834200 AND 88834408.
3. .031 MAX. AXIAL IMPELLER RUNOUT.
4. SEE SPECIFICATION SHEET 63004337 FOR TESTING REQUIREMENTS.
5. WASHER PC 358 MUST BE BETWEEN DRIVER AND IMPELLER.
6. CAPACITOR RATING: 6 MFD/440 VAC.
7. CARTON LABELS MUST ALL FACE ONE DIRECTION TOWARD THE OPEN END OF THE PALLET. SEE P.S. 88834408.
8. NO PACKAGING TAPE OVER CARTON LABEL.
9. SAFETY WARNING LABEL LOCATION PER BLOWER MOTOR DRAWING.
10. PLACE (1) PC 377 GASKET IN PLASTIC BAG AND PLACE IN EACH CONTAINER.



APPLICATION		DISTRIBUTION								
SEALED BALL BEARING CLASS B INSULATION THERMALLY PROTECTED SS 416 SHAFT		B	LA	FR	A	S	C	E	B	A
		92	62	30	F	08	DT	6	0	0
		CUSTOMER FASCO DIST.								
		CUSTOMER PART NO. A272								
LEAD MATERIAL 18 GA. 125°C, 2/64 INSUL. X-LINKED POLY. (1) PUR (1) RED, (1) ORN, (1) BLK 14.00/12.00 IN. LONG MEASURED TO BACK OF TERM. HSG. PIN TERMS. 89034153 AMP 350416-1		CAPACITOR LEADS 18 GA. 125° 2/64 INSUL. X-LINKED POLY. (2) BRN 3.50/4.50 IN. LONG W/FLAG TERMS. 89034045 AMP 42742-2 GROUND LEAD 18 GA. 125°C, 2/64 INSUL. X-LINKED POLY, GRN/YEL 6.00/4.00 IN. LONG W/RING TERM. 00081906 AMP 2-34148-1								



TYPICAL PERFORMANCE TEST DATA (SEE 6300 - 4337) IN FREE AIR WITH 250 MBH INLET ASSEMBLY

AT 208 - 230 VOLTS 60 HZ.

ECO. NO.	REV.	DATE	APPROVAL
4006059	09	07/19/2012	MLM/KSA
4006368	10	8/21/2012	SED/BGP
4010227	11	9/4/2013	MLH/SDM
4010431	12	9/27/2013	MLS/PLA

	R.P.M.	WATTS	AMPS
208 V	3500	100	.56
230 V	3525	110	.56
BLOWER WEIGHT LBS.			END PLAY XX/XX

UNLESS OTHERWISE SPECIFIED DIMENSIONS ARE IN INCHES TOLERANCES ARE:

FRACTIONS ± 1/16 DECIMALS XX ± .01 ANGLES ± 1°

XXX ± .005

APPROVALS	DATE
DRAWN ATM	08/11/2005
CHECKED SMM	08/11/2005

MOTOR: BLACK
BLOWER: NATURAL

FASCO FASCO MOTORS GROUP
AC MOTOR/BLOWER DIVISION

CONFIDENTIAL: DO NOT DUPLICATE OR DISCLOSE TO THIRD PARTIES WITHOUT WRITTEN PERMISSION OF FASCO MOTORS GROUP, AC MOTOR/BLOWER DIVISION.

TITLE: **BLOWER ASSEMBLY**

SIZE **B** DWG. NO. 7062 5783 REV. 12

DO NOT SCALE DRAWING SHEET 1 OF 1