



NOTES:

1. INSPECTION TEST FIXTURING IS REQUIRED.
2. CAPACITOR RATING: 3 MFD 370 VAC.
3. PACK 1 PER CONTAINER, 64 MAX. PER PALLET, PACKING ASSY: 87854335  
16 CONTAINERS PER LAYER, 4 LAYERS PER PALLET.  
P.S. 88834200 AND P.S. 88834408.
4. DISTANCE FROM MOTOR SIDE OF HSG TO BLOWER WHEEL IS .120/.090.
5. CARTON LABELS MUST ALL FACE ONE DIRECTION TOWARD THE OPEN END OF THE PALLET. SEE P.S. 88834408.
6. NO PACKAGING TAPE OVER CARTON LABEL.

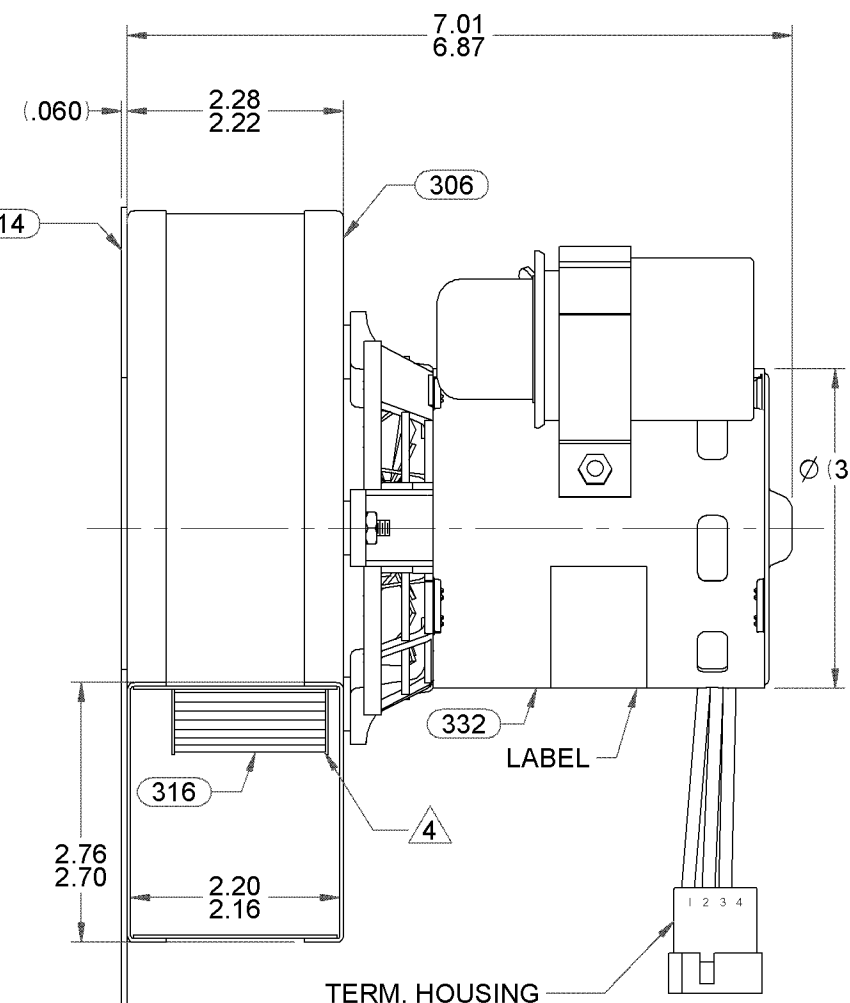
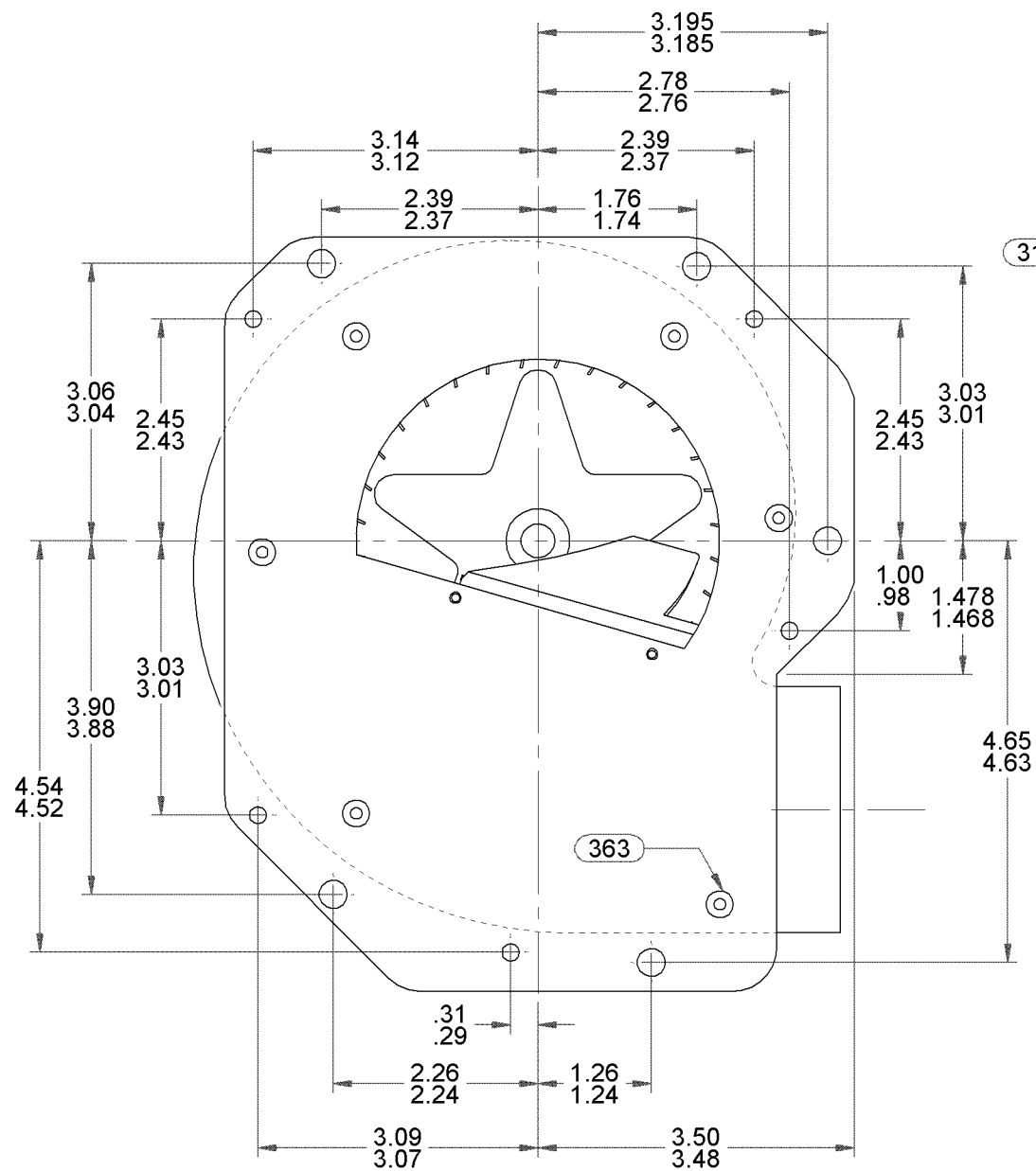
CONNECTION DIAGRAM  
 BLK ——— COMMON  
 RED ——— HIGH  
 PUR ——— LOW  
 BRN ———   
 BRN ———   
 GRN/YEL ——— GRD

APPLICATION	COMMERCIAL GAS									
	B	LA	FR	A	S	C	E	B	A	
	12	62	47	V	03	ET	6	0	0	
	THERMALLY PROTECTED CLASS "B" INSULATION SEALED BALL BEARING 416 S.S. SHAFT									
CUSTOMER	FASCO DIST.									
CUSTOMER PART NO.	A270									

LEAD MATERIAL  
 18 GA. 125°C. 2/64 INSUL.  
 X-LINKED POLY. BLK,  
 RED, & PUR  
 9.50/7.50 IN. LONG TO  
 BACK OF TERM HOUSING  
 W/PIN TERM. 89034153  
 AMP 350416-1

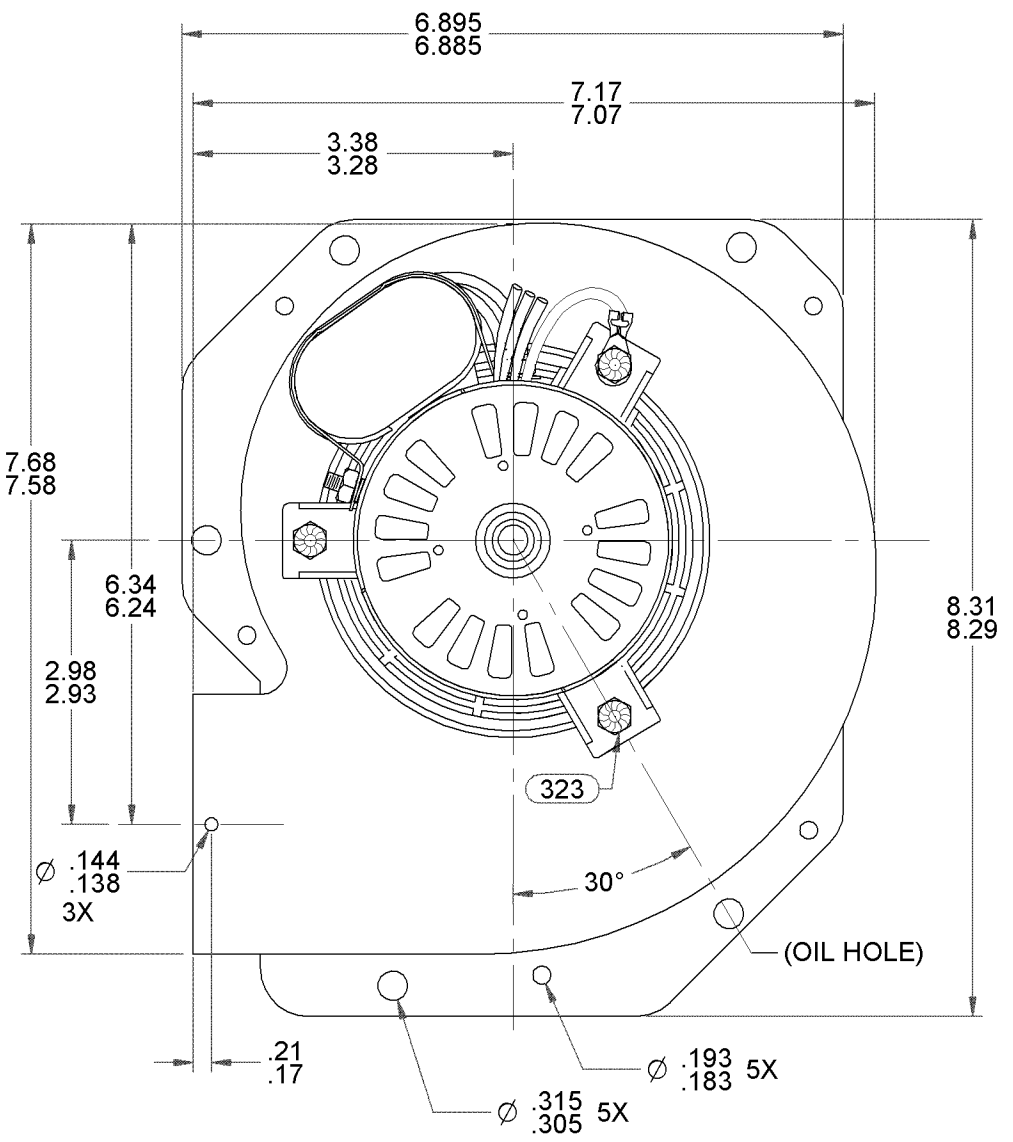
CAPACITOR LEADS  
 18 GA. 125°C. 2/64 INSUL.  
 X-LINKED POLY. BRN

GROUND LEAD  
 18 GA. 125°C. 2/64 INSUL.  
 X-LINKED POLY. GRN/YEL  
 7.75/5.75 IN. LONG  
 W/RING TERM. 89020156,  
 AMP 61794-1



TERM. HOUSING  
 89039302  
 AMP 770078-1

PIN LOCATION  
 BLK ——— PIN 1  
 RED ——— PIN 2  
 PUR ——— PIN 3  
 VACANT ——— PIN 4



TYPICAL PERFORMANCE TEST DATA  
 W/ 1 5/16 INLET RESTRICTOR

AT	230	VOLTS	60	HZ.	
R.P.M.	3398	WATTS	70	AMPS	.32
R.P.M.	3093	WATTS	56	AMPS	.25

UNLESS OTHERWISE SPECIFIED DIMENSIONS ARE IN INCHES TOLERANCES ARE:  
 FRACTIONS ± 1/16 DECIMALS XX ± .01 ANGLES ± 1°  
 XXX ± .005

**FASCO** FASCO MOTORS GROUP  
 AC MOTOR/BLOWER DIVISION

ECO. NO.	REV.	DATE	APPROVAL
4000730	07	1/10/11	MLM/KSA
4010249	08	9/6/2013	MLH/KSA

APPROVALS	DATE
DRAWN ATM	07/19/2005
CHECKED SMM	07/19/2005

APPROVALS	DATE
DRAWN ATM	07/19/2005
CHECKED SMM	07/19/2005

CONFIDENTIAL: DO NOT DUPLICATE OR DISCLOSE TO THIRD PARTIES WITHOUT WRITTEN PERMISSION OF FASCO MOTORS GROUP, AC MOTOR/BLOWER DIVISION.

TITLE  
**BLOWER ASSEMBLY**

SIZE **B** DWG. NO. 7062 5781 REV. 08

DO NOT SCALE DRAWING SHEET 1 OF 1