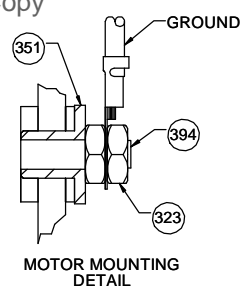
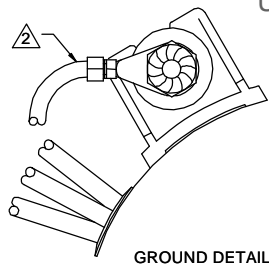


- NOTES:
- ASSEMBLE GROUND STRAP BETWEEN (2) PC 323 NUTS.
 - TERMINAL TO BE ORIENTED AS SHOWN.
 - INSPECTION TEST FIXTURE IS REQUIRED.
 - 100% HI-POT 1500 V FOR ONE SECOND.
 - AUDIT VIBRATION PERIODICALLY TO INSURE .0025 MAX. DISPLACEMENT.
 - PACK 4 PER CONTAINER, 80 MAX. PER PALLET, PACKING ASSY. 8785-4335, 16 CONTAINERS PER PALLET, 5 LAYERS PER PALLET, PER 88834200 AND 88834408.
 - CARTON LABELS MUST ALL FACE ONE DIRECTION TOWARD THE OPEN END OF THE PALLET. SEE 88834408.
 - NO PACKAGING TAPE OVER CARTON LABEL.
 - BLOWER - NATURAL, MOTOR - FLAT BLACK.

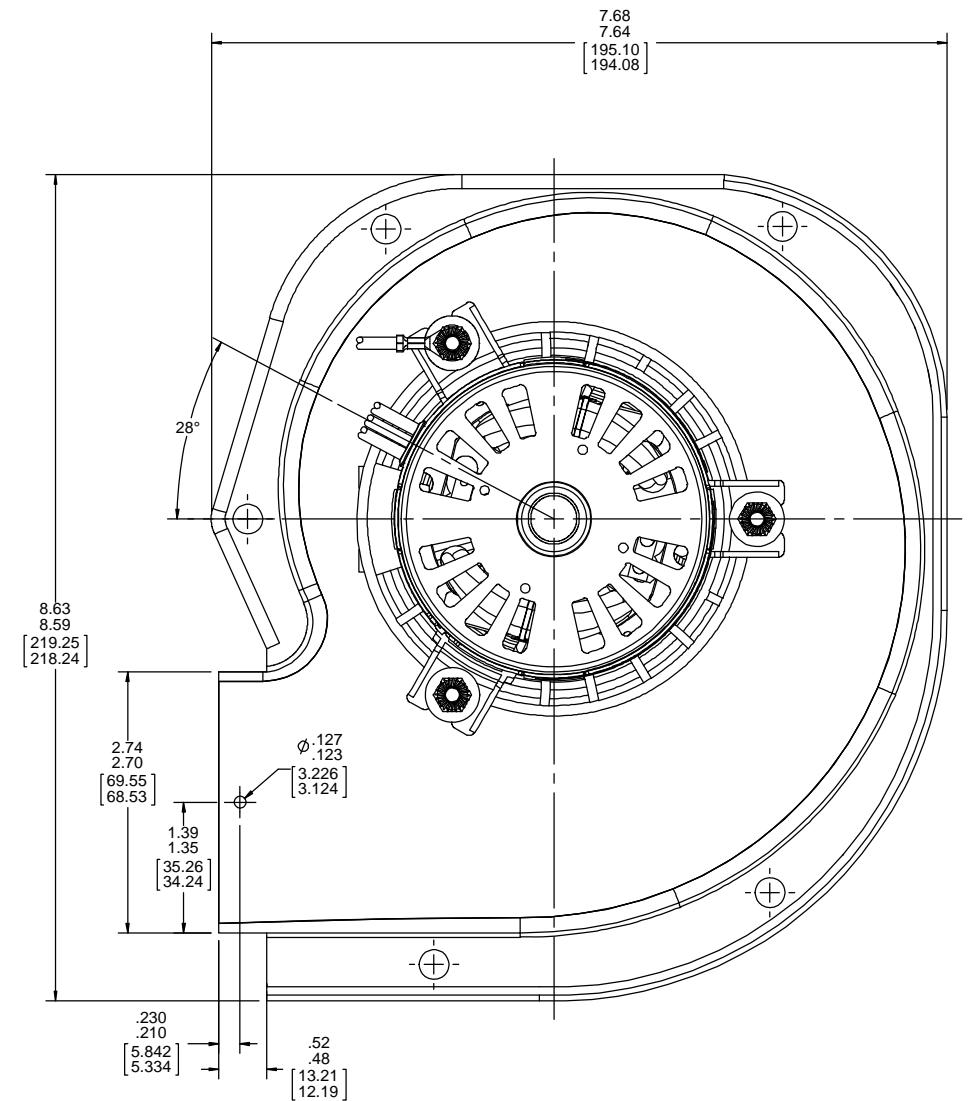
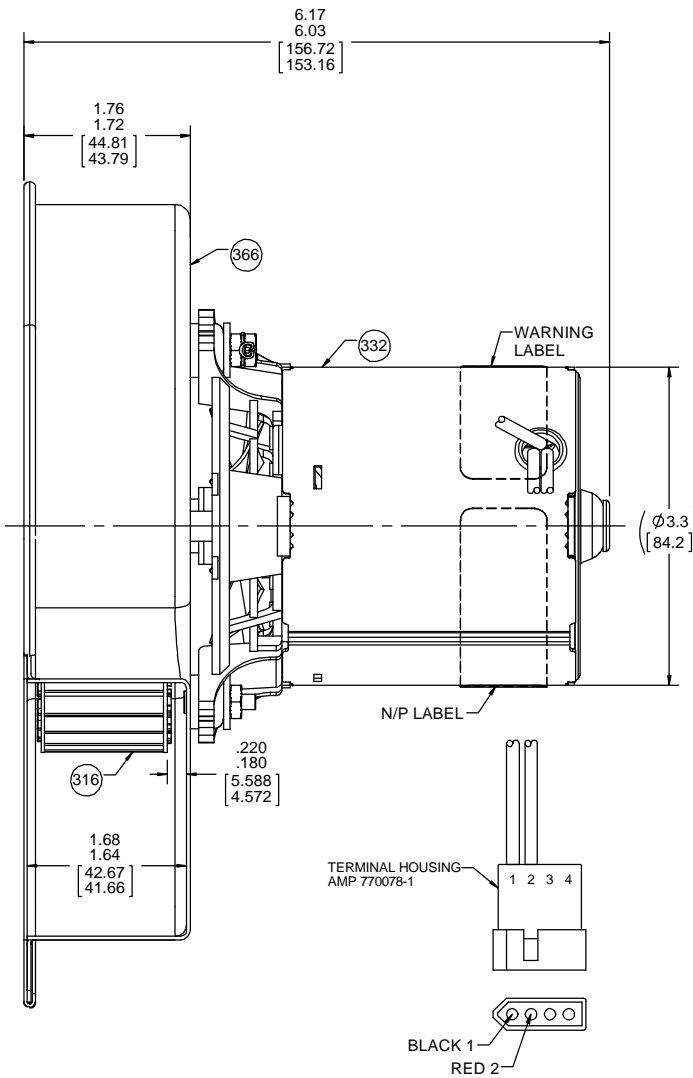
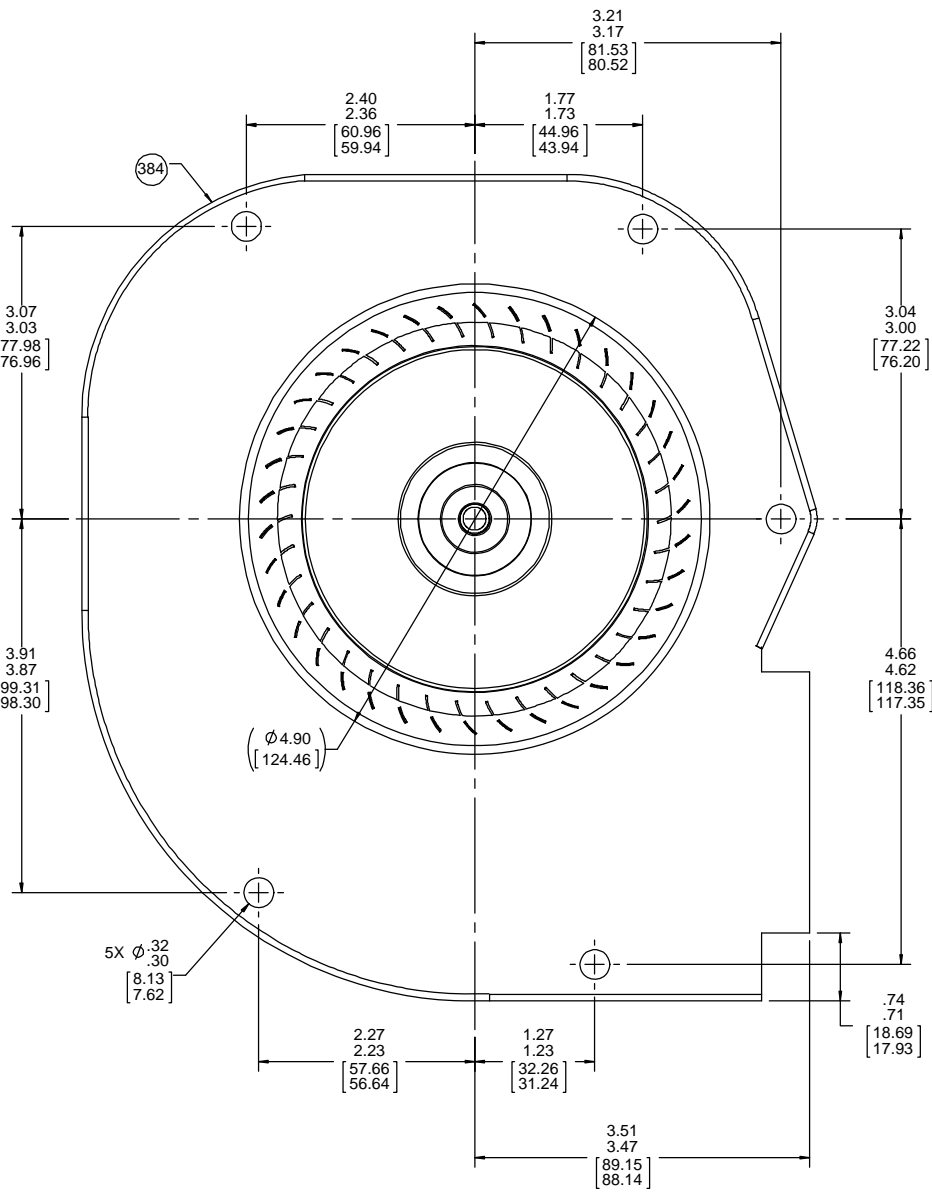


Uncontrolled Copy

THERMALLY PROTECTED
CLASS "B" INSULATION
SEALED BALL BEARING
416 SS SHAFT

APPLICATION:		B	LA	FR	A	S	C	E	B	A
CUSTOMER:	FASCO DIST.	GS	21	47	V	04	EY	5	0	0
CUSTOMER PN:	A269									

LEAD MATERIAL
18 GA. 125°C 2/64 INSUL.
X-LINKED POLY.
(1) BLACK, (1) RED
6.00/4.00 [152.40/101.60]
W/PIN TERM.
AMP 350416-1
GROUND LEAD MATERIAL
GRN/YEL
6.00/4.00 [152.40/101.60]
W/RING TERM.
AMP 61794-1



Connection Diagram
Blk — Common
Red — 230 V
Grn/Yel — Grd

TYPICAL PERFORMANCE TEST DATA WITH 1 5/16 INLET RESTICTOR			
AT 230 VOLTS 60 Hz			
	RPM	WATTS	AMPS
	3242	65	.43
BLOWER WEIGHT			ENDPLAY
6.5 LBS.			.XX/XX

DRAWING REVISION AA	REVISION BY MLS	DATE 9/1/2017	TOLERANCES UNLESS OTHERWISE SPECIFIED: DEC. INCH mm ANGLE ±1°	DRAWN BY MLS	DATE 9/1/2017	DESCRIPTION OUTLINE
ECO-0129732	APPROVED BY KSA	DATE 9/1/2017	.X ±0.1 [±2.5]	APPROVED BY KSA	DATE 9/1/2017	DESCRIPTION OUTLINE
			.XX ±0.01 [±0.25]			
			.XXX ±0.005 [±0.127]			
			XXXX ±0.0005 [±0.0127]			
			REMOVE BURRS & BREAK SHARP EDGES: .003/.015 [0.076/.381] X 45°			
			CORNER FILLETS: R.02 [51]			
			MACHINED SURFACES: 125 INCR/ML			
			mm SHOWN IN [BRACKETS]			
			THIRD ANGLE PROJECTION			
			SIZE D			
			DRAWING NUMBER			
			702111852			
			1			
			1 OF 1			