

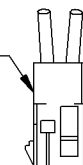
- NOTES:
1. NO STA-LOC REQUIRED ON IMPELLER.
 2. INSPECTION TEST FIXTURE IS REQUIRED.
 3. 100% HYPOT 1500V FOR 1 SECOND.
 4. 100% RUN, WITH 1" INLET RESTRICTOR & TEST FOR AMP DRAW.
 5. AUDIT VIBRATION PERIODICALLY TO INSURE .0015 MAX. DISPLACEMENT.
 6. IMPELLER MEASURED FROM BACK PLATE OF IMPELLER TO INSIDE OF HOUSING .150/.130.
 7. PACK 1 PER CONTAINER, 60 MAX. PER PALLET, PACKING ASSY: 8785-4752, 12 CONTAINERS PER LAYER, 5 LAYERS PER PALLET, P.S. 8883-4200, P.S. 8883-4408.
 8. APPLY NAMEPLATE LABEL TO ECM MOTOR ONLY TO READ FROM BACK END OF MOTOR.
 9. SERIAL NUMBER.

APPLICATION	GAS FURNACE								
	B	LA	FR	A	S	C	E	B	A
	GS	58	48	X	17	--	5	0	0
CUSTOMER	FASCO DIST.								
CUSTOMER PART NO.	A263								

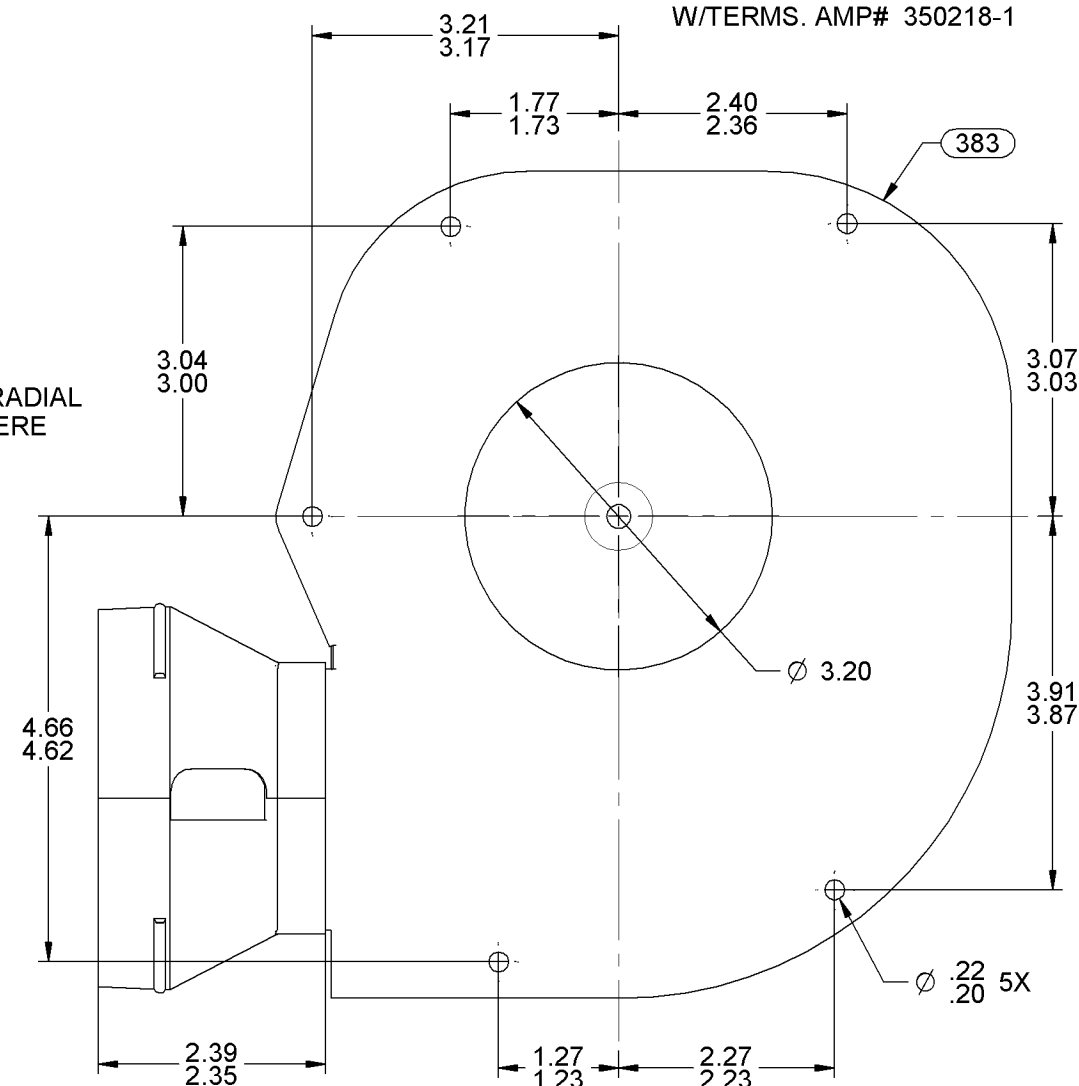
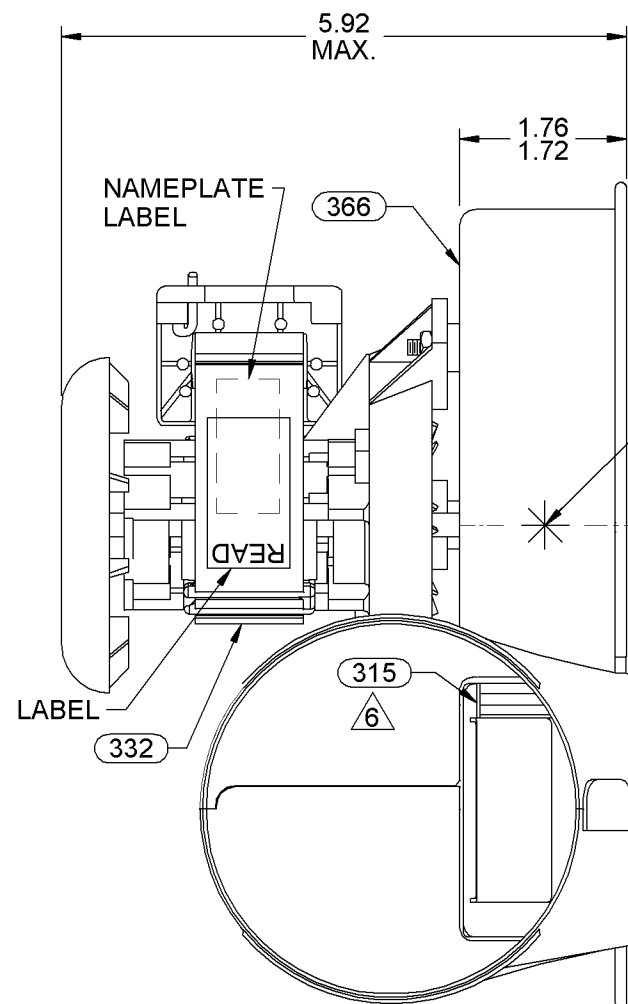
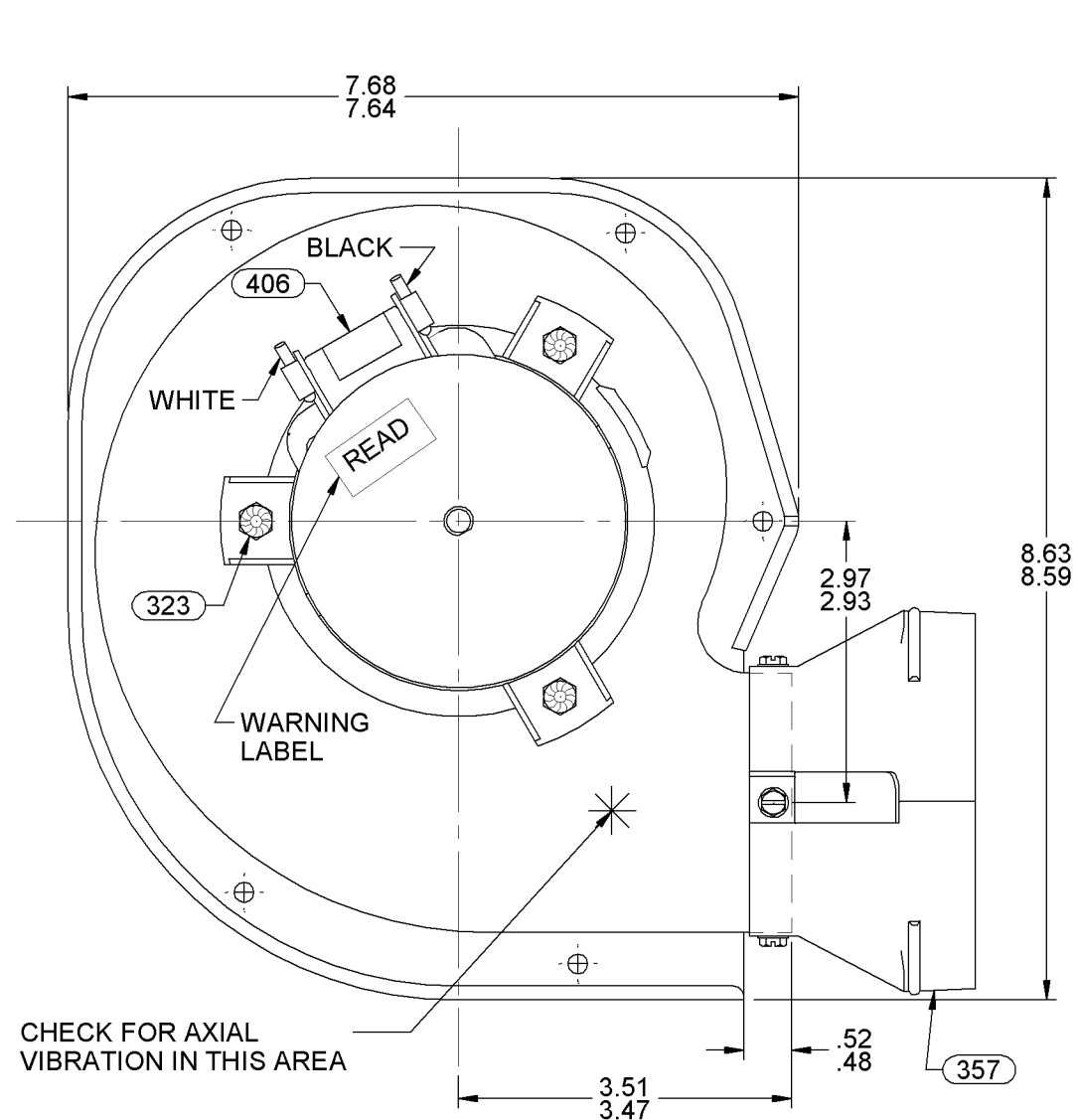
THERMALLY PROTECTED
CLASS "B" INSULATION
416/420 S.S. SHAFT
SEALED BALL BEARING

LEAD MATERIAL
18 GA. 125°C, 2/64 INS.
X-LINK POLY,
BLACK & WHITE
6.50/5.50 TO BACK OF
TERM. HOUSING
W/TERMS. AMP# 350218-1

TERM. HOUSING
AMP# 1-480699-0



PIN #1—BLACK
PIN #2—WHITE



8 0046-4136

FASCO NO. 7058-0450
XXXXXXXXXXXXXXXXX

Cassville Plant
Model A263

9

6129-9553

6129-4832

SAFETY WARNING
This Motor Must Be Grounded
In Accordance With Local Or
National Electrical Codes
To Prevent Possible Injury
Due To Electrical Shock

6130-4322

US PATENT:
6314894, 6318358, 6468034
6494152, 6595146, 6895874
6902373, 6908281, 6929448

APPLY TO TAPE ON BOBBIN

TYPICAL PERFORMANCE TEST DATA WITH 1" INLET RESTRICTOR				UNLESS OTHERWISE SPECIFIED DIMENSIONS ARE IN INCHES TOLERANCES ARE:		FASCO FASCO MOTORS GROUP AC MOTOR/BLOWER DIVISION	
AT 115 VOLTS 60 HZ.				FRACTIONS ± 1/16	DECIMALS XX ± .01 XXX ± .005	ANGLES ± 1°	CONFIDENTIAL: DO NOT DUPLICATE OR DISCLOSE TO THIRD PARTIES WITHOUT WRITTEN PERMISSION OF FASCO MOTORS GROUP, AC MOTOR/BLOWER DIVISION.
	R.P.M.	WATTS	AMPS	APPROVALS	DATE	TITLE BLOWER ASSEMBLY	
	3250	56	1.03	DRAWN JMH	08/19/2005	SIZE B	DWG. NO. 7058 0450
BLOWER WEIGHT LBS.			END PLAY .XX/.XX	CHECKED SDM	08/19/2005	REV. 02	
			FINISH COLOR NATURAL	DO NOT SCALE DRAWING		SHEET 1 OF 1	