

- NOTES:
1. NO STA-LOC REQUIRED ON IMPELLER.
 2. INSPECTION TEST FIXTURE IS REQUIRED.
 3. 100% HYPOT 1500V FOR 1 SECOND.
 4. 100% RUN, WITH 1" INLET RESTRICTOR & TEST FOR AMP DRAW.
 5. AUDIT VIBRATION PERIODICALLY TO INSURE .0015 MAX. DISPLACEMENT.
 6. IMPELLER MEASURED FROM BACK PLATE OF IMPELLER TO INSIDE OF HOUSING .150/.130.
 7. PACK 1 PER CONTAINER, 60 MAX. PER PALLET, PACKING ASSY: 8785-4752, 12 CONTAINERS PER LAYER, 5 LAYERS PER PALLET, P.S. 8883-4200, P.S. 8883-4408.
 8. APPLY NAMEPLATE LABEL TO ECM MOTOR ONLY TO READ FROM BACK END OF MOTOR.
 9. SERIAL NUMBER.

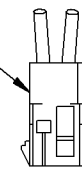
APPLICATION GAS FURNACE

THERMALLY PROTECTED
CLASS "B" INSULATION
416/420 S.S. SHAFT
SEALED BALL BEARING

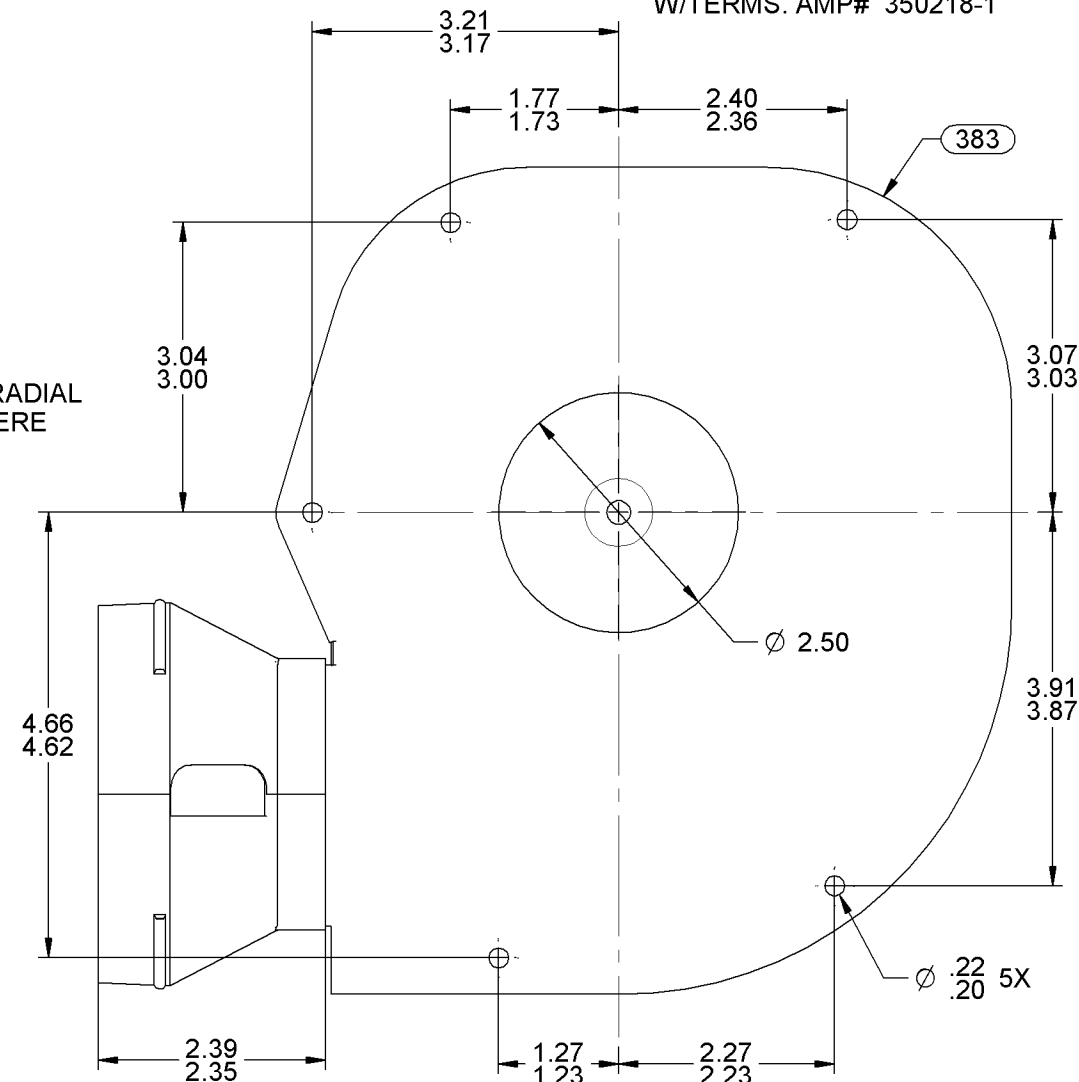
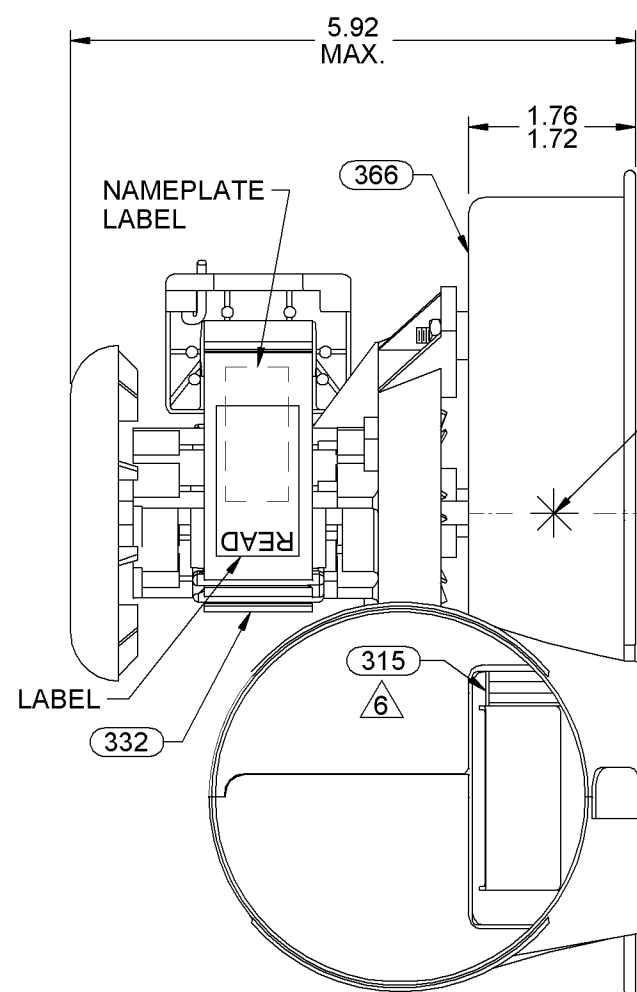
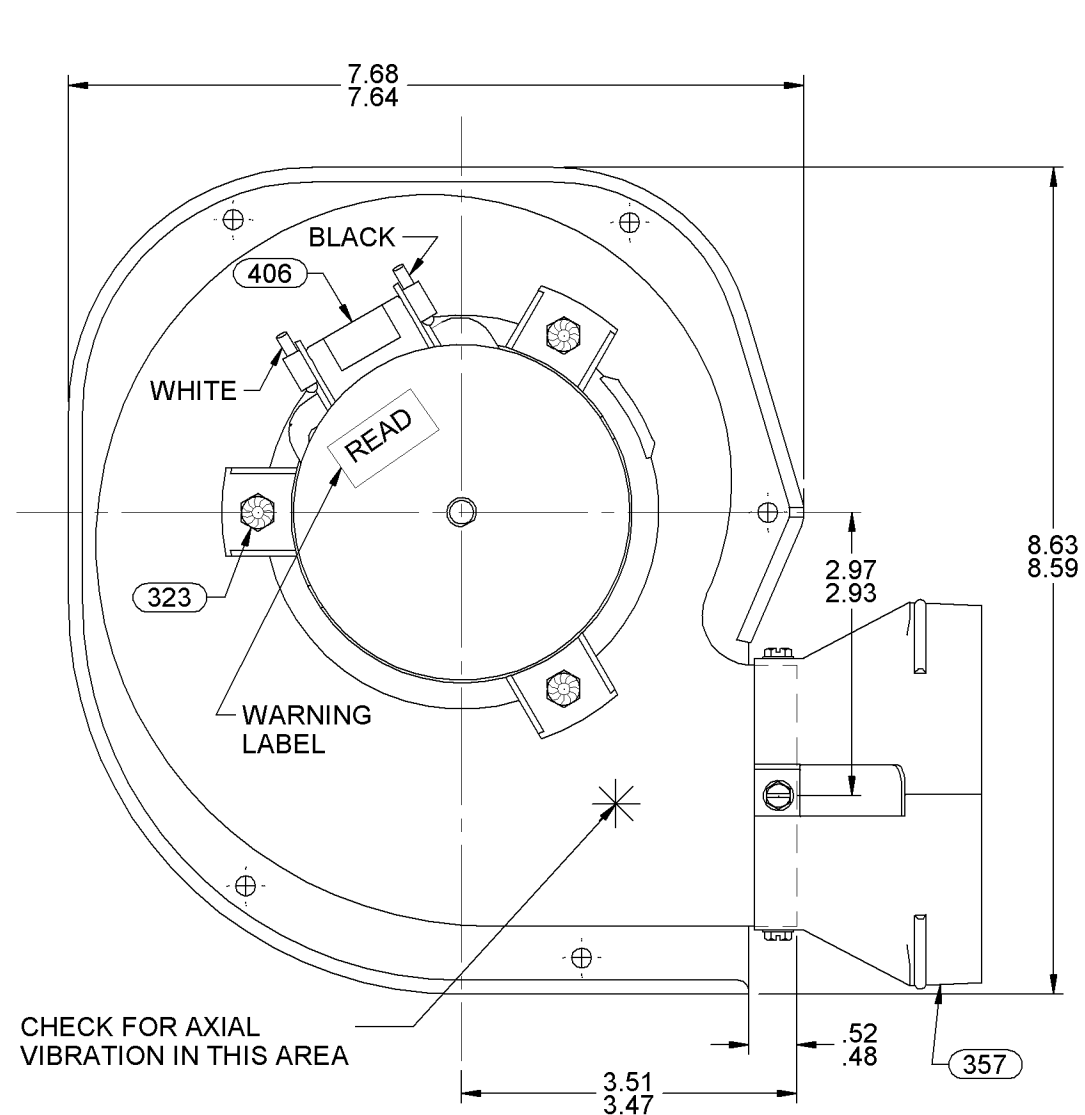
B	LA	FR	A	S	C	E	B	A
GS	58	48	X	17	--	5	0	0
CUSTOMER FASCO DIST.								
CUSTOMER PART NO. A262								

LEAD MATERIAL
18 GA. 125°C, 2/64 INS.
X-LINK POLY,
BLACK & WHITE
6.50/5.50 TO BACK OF
TERM. HOUSING
W/TERMS. AMP# 350218-1

TERM. HOUSING
AMP# 1-480699-0



PIN #1—BLACK
PIN #2—WHITE



8 0046-4136

FASCO NO. 7058-0449
XXXXXXXXXXXXXXXXX 9

Cassville Plant
Model A262

6129-9553

6129-4832

SAFETY WARNING

This Motor Must Be Grounded
In Accordance With Local Or
National Electrical Codes
To Prevent Possible Injury
Due To Electrical Shock

6130-4322

US PATENT:
6314894, 6318358, 6468034
6494152, 6595146, 6895874
6902373, 6908281, 6929448

APPLY TO TAPE ON BOBBIN

TYPICAL PERFORMANCE TEST DATA WITH 1" INLET RESTRICTOR.			
AT 115 VOLTS 60 HZ.			
	R.P.M.	WATTS	AMPS
	3250	56	1.03
BLOWER WEIGHT LBS.			END PLAY .XX/.XX

UNLESS OTHERWISE SPECIFIED DIMENSIONS ARE IN INCHES TOLERANCES ARE:	
FRACTIONS ± 1/16	DECIMALS XX ± .01 XXX ± .005
APPROVALS	DATE
DRAWN JMH	08/19/2005
CHECKED SDM	08/19/2005
FINISH COLOR	NATURAL

FASCO FASCO MOTORS GROUP
AC MOTOR/BLOWER DIVISION

CONFIDENTIAL: DO NOT DUPLICATE OR DISCLOSE TO THIRD PARTIES WITHOUT
WRITTEN PERMISSION OF FASCO MOTORS GROUP, AC MOTOR/BLOWER DIVISION.

TITLE
BLOWER ASSEMBLY

SIZE **B** DWG. NO. 7058 0449 REV. 02

DO NOT SCALE DRAWING SHEET 1 OF 1