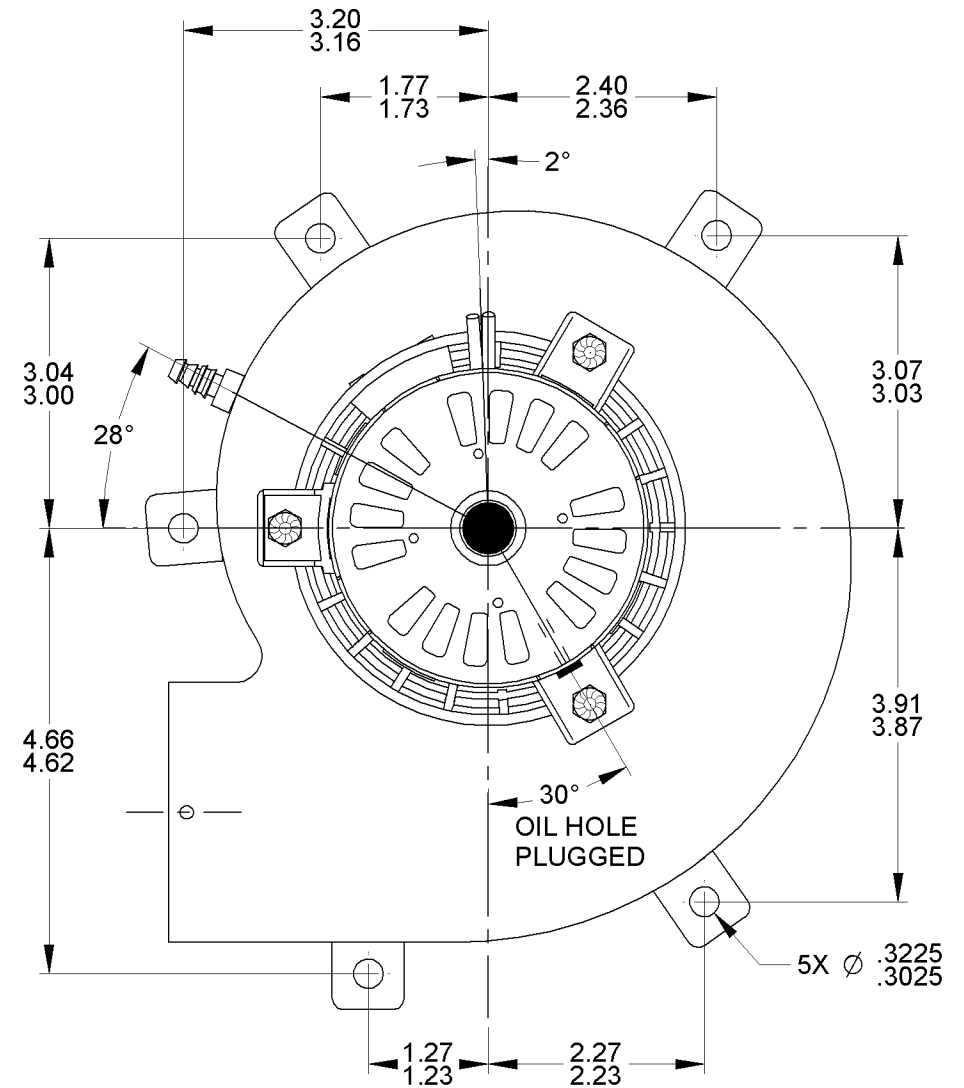
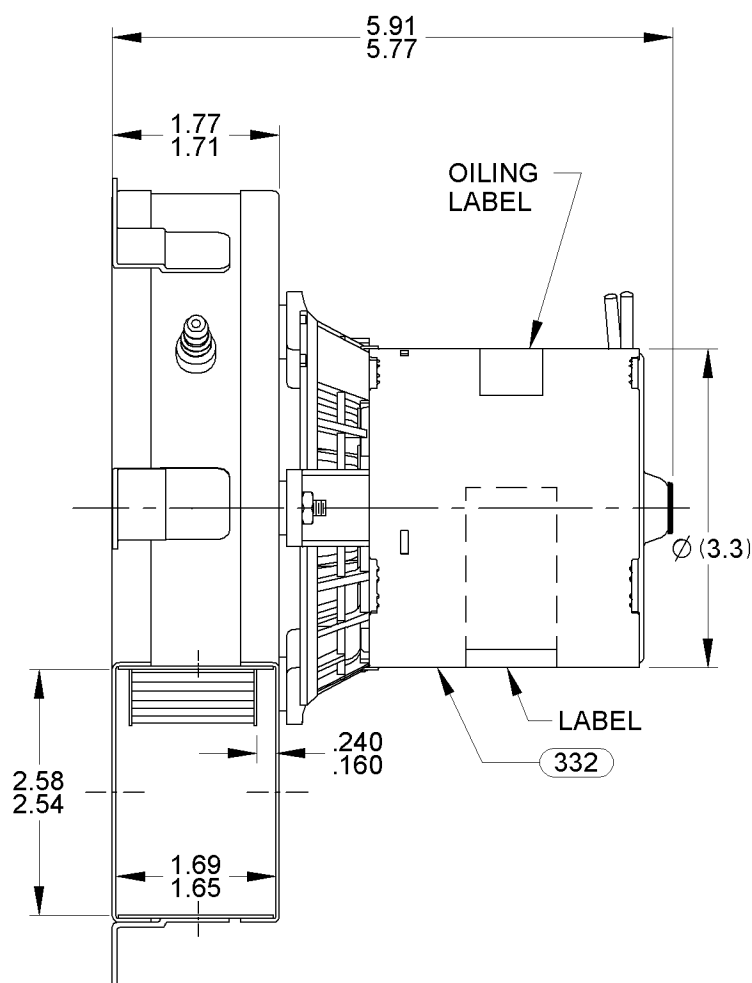
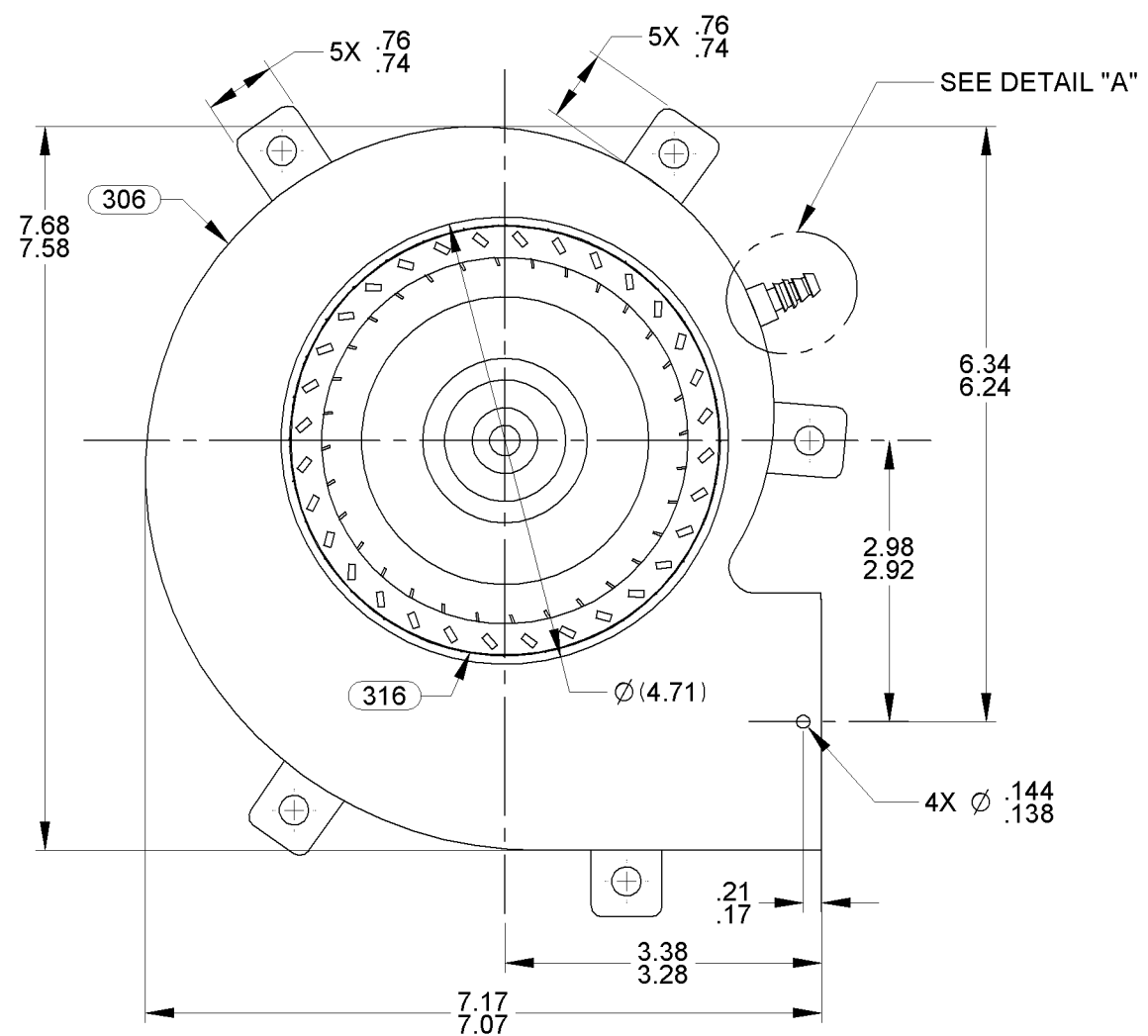
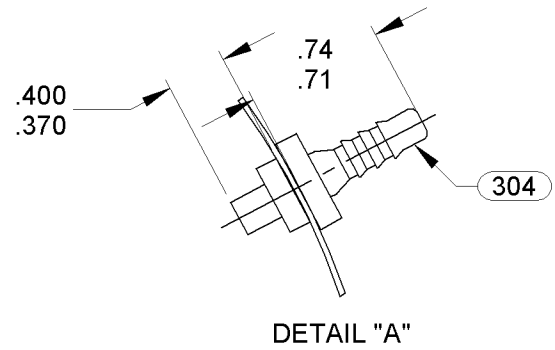


NOTES:

1. INSPECTION TEST FIXTURING IS REQUIRED.
2. NO STA-LOC REQUIRED ON IMPELLER.
3. STATIC TAP TO BE TIGHT AND SECURELY FASTENED.
4. STATIC TAP READING TO BE .95" MIN. CORRECTED TO STD. AIR (0.075 LB/FT<sup>3</sup>) WITH A 1 5/16 INLET RESTRICTOR.
5. PACK 1 PER CARTON, 80 MAX. PER PALLET, P.S. 87854335, 16 CONTAINERS PER LAYER, 5 LAYERS PER PALLET, P.S. 88834200 AND P.S. 88834408.
6. CARTON LABELS MUST ALL FACE ONE DIRECTION TOWARD THE OPEN END OF THE PALLET. SEE P.S. 88834408.
7. NO PACKAGING TAPE OVER CARTON LABEL.

APPLICATION	DISTRIBUTION								
	B	LA	FR	A	S	C	E	B	A
	12	21	47	V	02	GP	5	3	0
	THERMALLY PROTECTED CLASS "B" INSULATION 416 S.S. SHAFT								
CUSTOMER	FASCO DIST.								
CUSTOMER PART NO.	A251								

LEAD MATERIAL  
18 GA. 125°C 4/64 INSUL.  
EPDM (2) BLACK  
50.00/48.00 IN. LONG  
.56/.44 IN. STRIP



TYPICAL PERFORMANCE TEST DATA  
WITH 1 5/16" INLET RESTRICTOR

AT	208 VOLTS	60 HZ.
R.P.M.	WATTS	AMPS
3246	68	.49

UNLESS OTHERWISE SPECIFIED DIMENSIONS ARE IN INCHES TOLERANCES ARE:  
FRACTIONS ± 1/16  
DECIMALS XX ± .01  
XXX ± .005  
ANGLES ± 1°

**FASCO** FASCO MOTORS GROUP  
AC MOTOR/BLOWER DIVISION

ECO. NO.	REV.	DATE	APPROVAL
4001323	04	03/04/11	MLM/PLA
4009709	05	7/11/2013	MLS/NJP

APPROVALS	DATE
DRAWN PLA	06/06/2005
CHECKED JMH	06/06/2005

BLOWER-NATURAL  
MOTOR-FLAT BLACK

CONFIDENTIAL: DO NOT DUPLICATE OR DISCLOSE TO THIRD PARTIES WITHOUT WRITTEN PERMISSION OF FASCO MOTORS GROUP, AC MOTOR/BLOWER DIVISION.

TITLE  
**BLOWER ASSEMBLY**

SIZE **B** DWG. NO. 7021 11840 REV. **05**

DO NOT SCALE DRAWING SHEET 1 OF 1