

B	LA	FR	A	S	C	E	B	A
PB	62	30	V	05	EC	6	0	C
CUSTOMER								FASCO DIST.
CUSTOMER PART NO.								A246

NOTES:

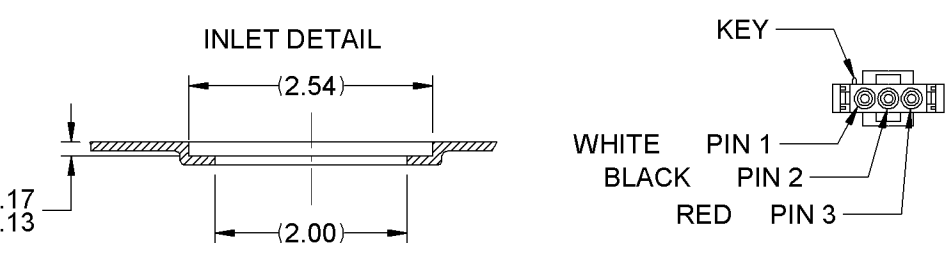
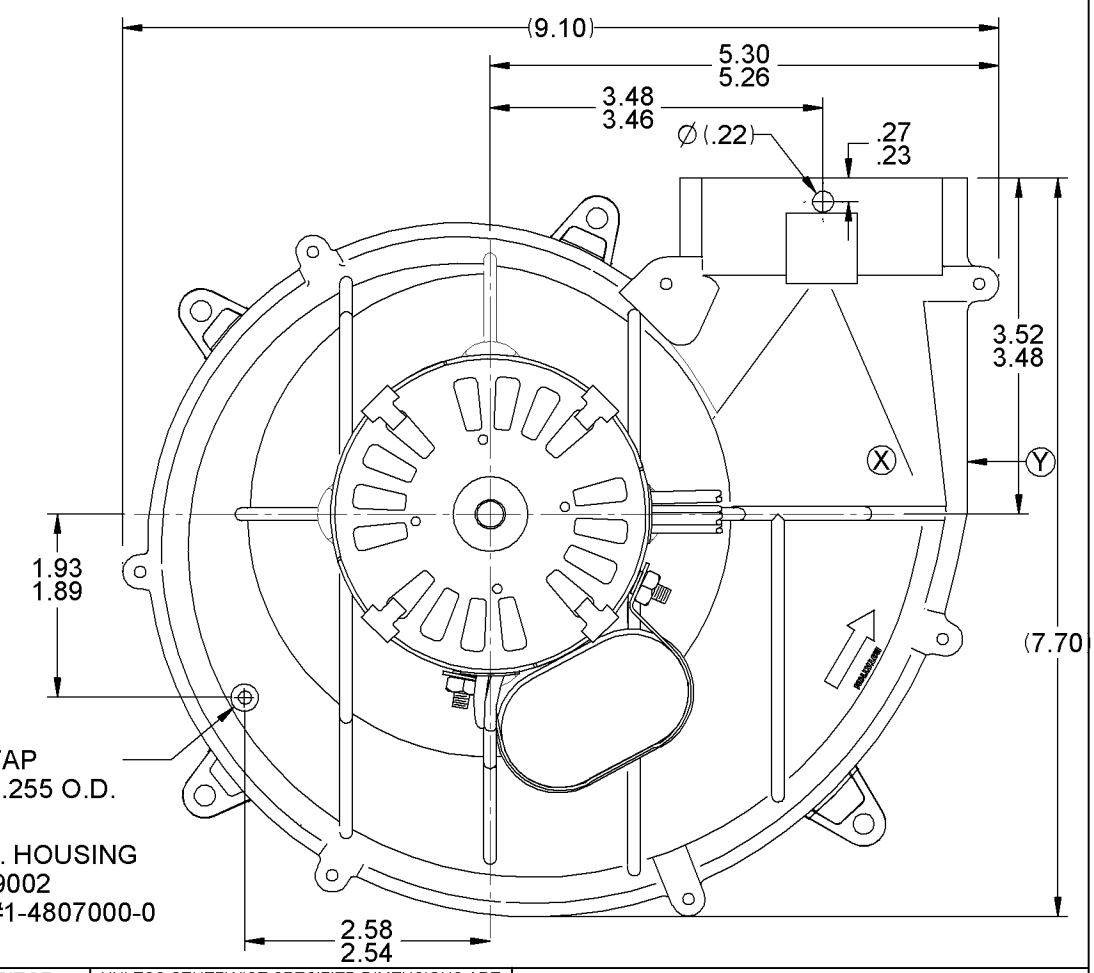
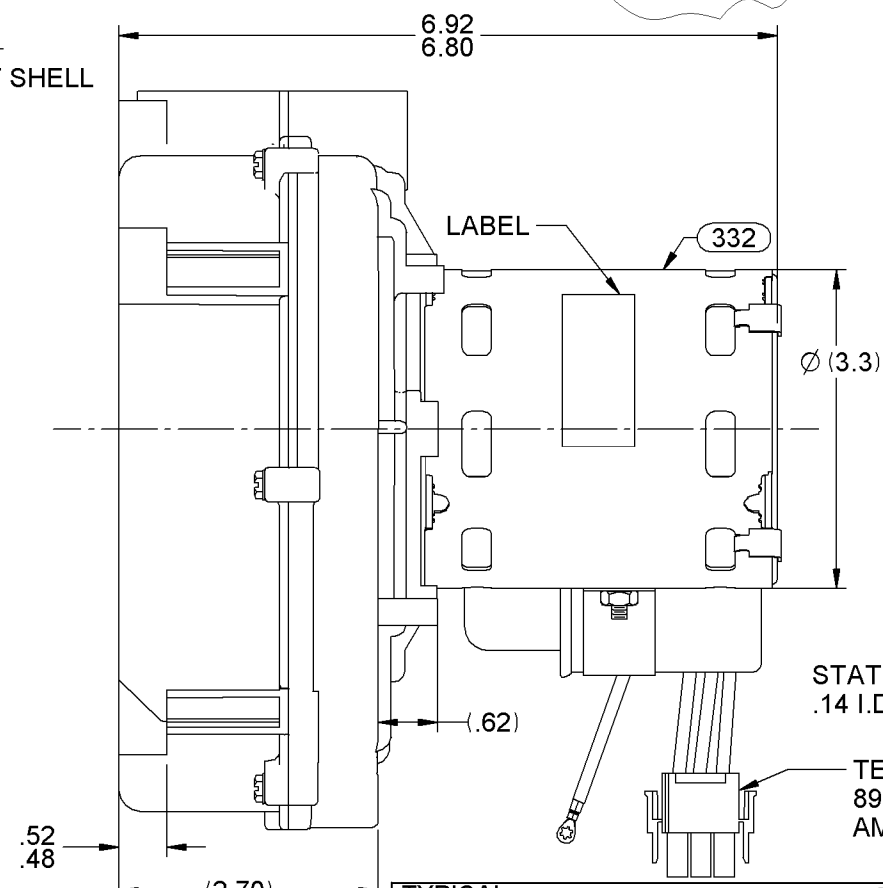
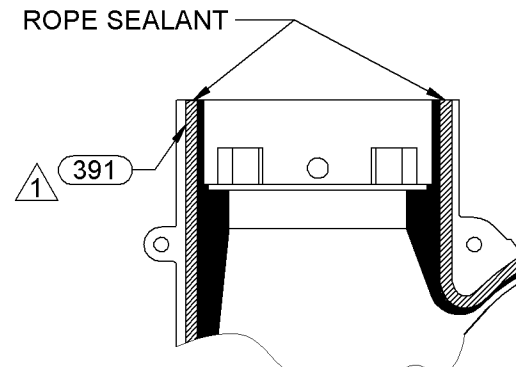
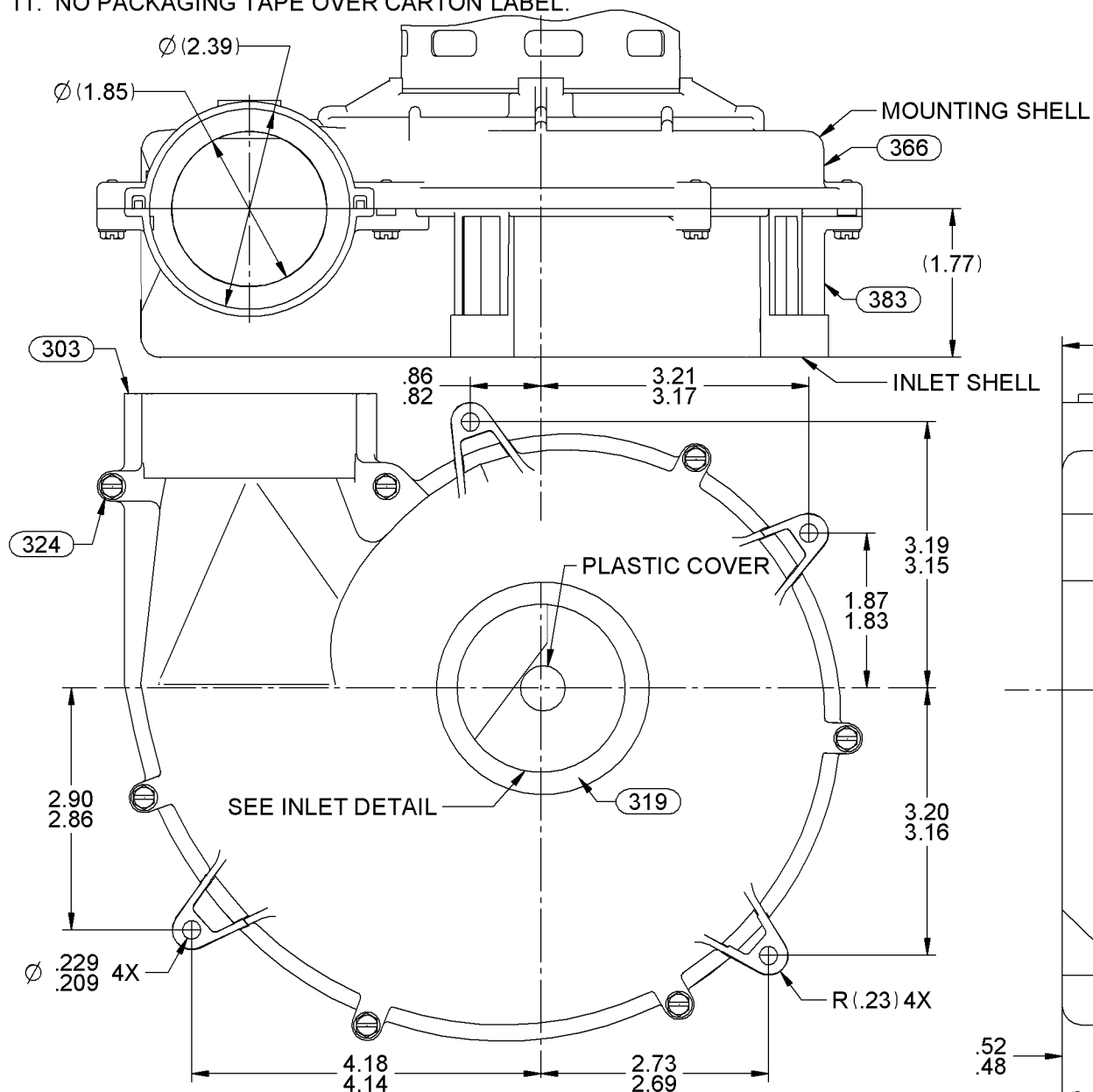
- LAY PC 391 (ROPE SEALANT) IN CHANNEL PROVIDED IN MOUNTING SHELL. ASSEMBLE INLET SHELL TO MOUNTING SHELL ASSEMBLY AND SECURE WITH (7) PC 324 (SCREWS). TRIM EXCESS ROPE SEALANT FROM FACE OF BLOWER EXHAUST.
- PACK 1 PER CONTAINER, 36 MAX. AMT. PER PALLET, PACKING ASSY: 8785-4916, 12 CONTAINERS PER LAYER, 3 LAYERS PER PALLET, P.S. 8883-4200 AND P.S. 8883-4408.
- STATIC TAP HOLE TO BE FREE OF FLASH.
- BLOWER TO BE UNIT BALANCED BEFORE INLET SHELL IS ASSEMBLED TO A SPEC OF 1.0 MIL. PEAK TO PEAK OR BELOW IN LOCATION MARKED X & Y.
- INSPECTION TEST FIXTURING IS REQUIRED.
- STATIC PRESSURE READING FOR HIGH SPEED VACUUM TO BE -2.15" TO -2.42" CORRECTED TO STD. AIR (0.075 LB/FT³). THE LOW SPEED VACUUM SHOULD BE A MIN. OF -.85 CORRECTED TO STD. AIR (0.075 LB/FT³).
- MUST USE STAINLESS STEEL STUDS AND NUTS (CUST. REQUEST).
- HOUSING MADE FROM RTP127 HB 40% TALC FILLED POLYPROPYLENE MATERIAL.
- IMPELLER MADE OF RTP99X66833 PLOYPROPYLENE MATERIAL.
- CARTON LABELS MUST ALL FACE ONE DIRECTION TOWARD THE OPEN END OF THE PALLET, SEE P.S. 8883 4408.
- NO PACKAGING TAPE OVER CARTON LABEL.

LEAD MATERIAL
18 GA. 125° C 2/64 INSUL.
X-LINKED POLY,
BLACK, WHITE & RED
11.00/9.00 LONG
W/TERMS. 8903-9085
AMP #350218-1

THERMALLY PROTECTED
CLASS "B" INSULATION
416 S.S. SHAFT
SEALED BALL BEARING

GROUND LEAD
18 GA. 125° C 2/64 INSUL.
X-LINKED POLY. GRN/YEL
16.00/14.00 LONG
W/TERM. 8902-0156
AMP# 61794-1

CAPACITOR LEADS
18 GA. 125° C 2/64 INSUL.
X-LINKED POLY,
(2) BROWN
8.00/6.00" LONG
W/TERMS. 8903-4045
AMP #42742-2



TYPICAL PERFORMANCE TEST DATA WITH A 1.25" INLET RESTRICTOR.

ECO. NO.	REV.	DATE	APPROVAL
4011149	04	1/7/2014	4011149

AT	115	VOLTS	60	HZ.
R.P.M.	WATTS	AMPS		
3326	95	.85		
BLOWER WEIGHT		END PLAY		FINISH COLOR
5.0 LBS.		.XX / .XX		FLAT BLACK

UNLESS OTHERWISE SPECIFIED DIMENSIONS ARE IN INCHES TOLERANCES ARE:
FRACTIONS ± 1/16
DECIMALS XX ± .01
XXX ± .005
ANGLES ± 1°

APPROVALS	DATE
DRAWN SRM	08/16/2004
CHECKED ATM	08/16/2004

FASCO FASCO MOTORS GROUP
AC MOTOR/BLOWER DIVISION

CONFIDENTIAL: DO NOT DUPLICATE OR DISCLOSE TO THIRD PARTIES WITHOUT WRITTEN PERMISSION OF FASCO MOTORS GROUP, AC MOTOR/BLOWER DIVISION.

TITLE: **BLOWER ASSEMBLY**

SIZE **B** DWG. NO. 7062 5677 REV. 04

DO NOT SCALE DRAWING SHEET 1 OF 2