

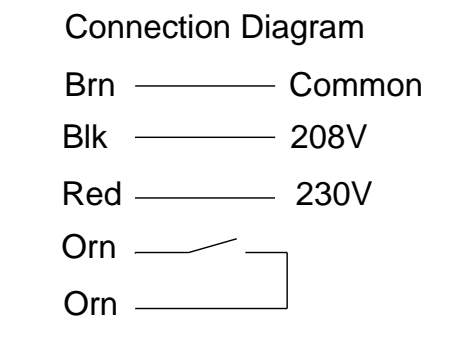
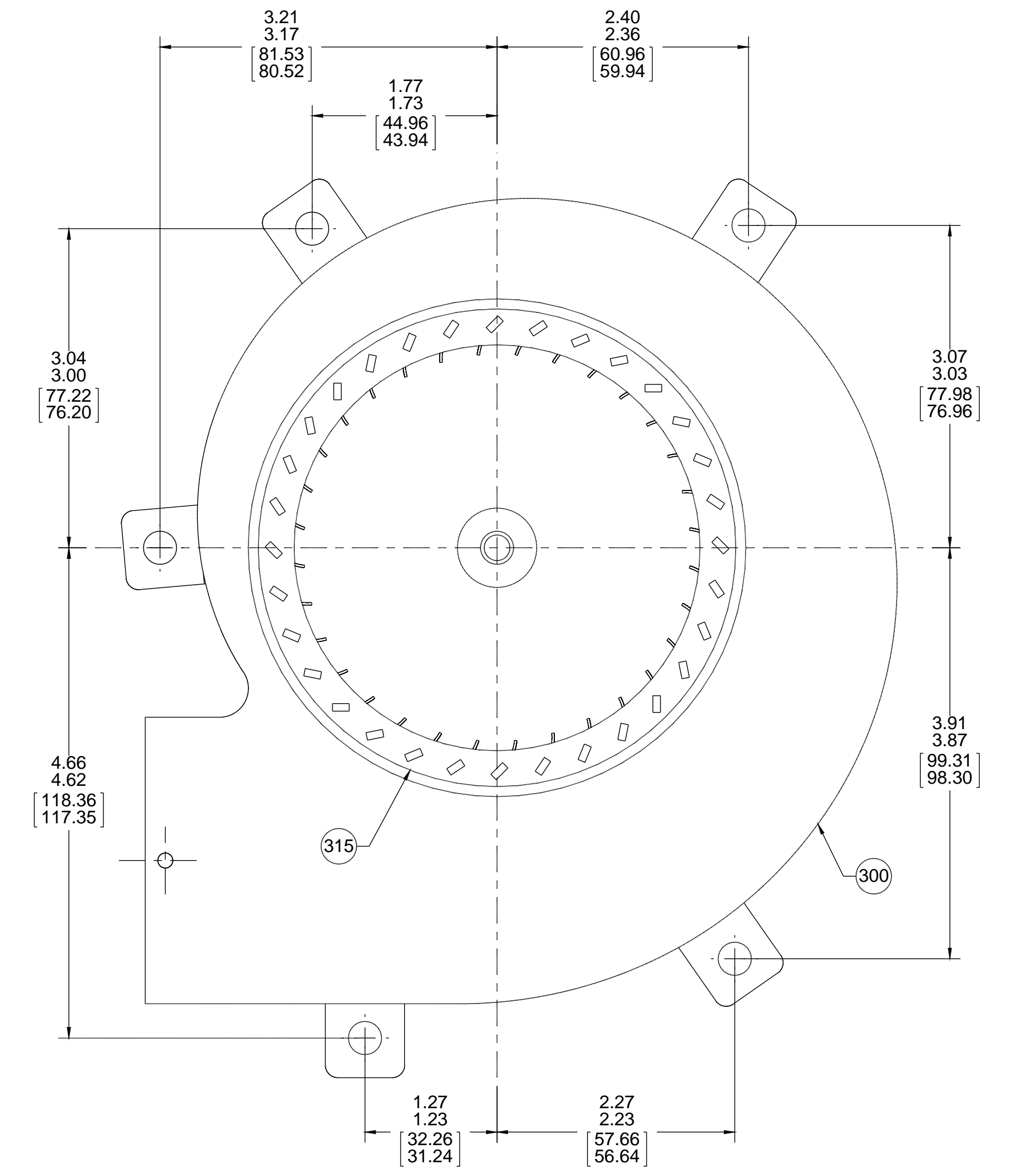
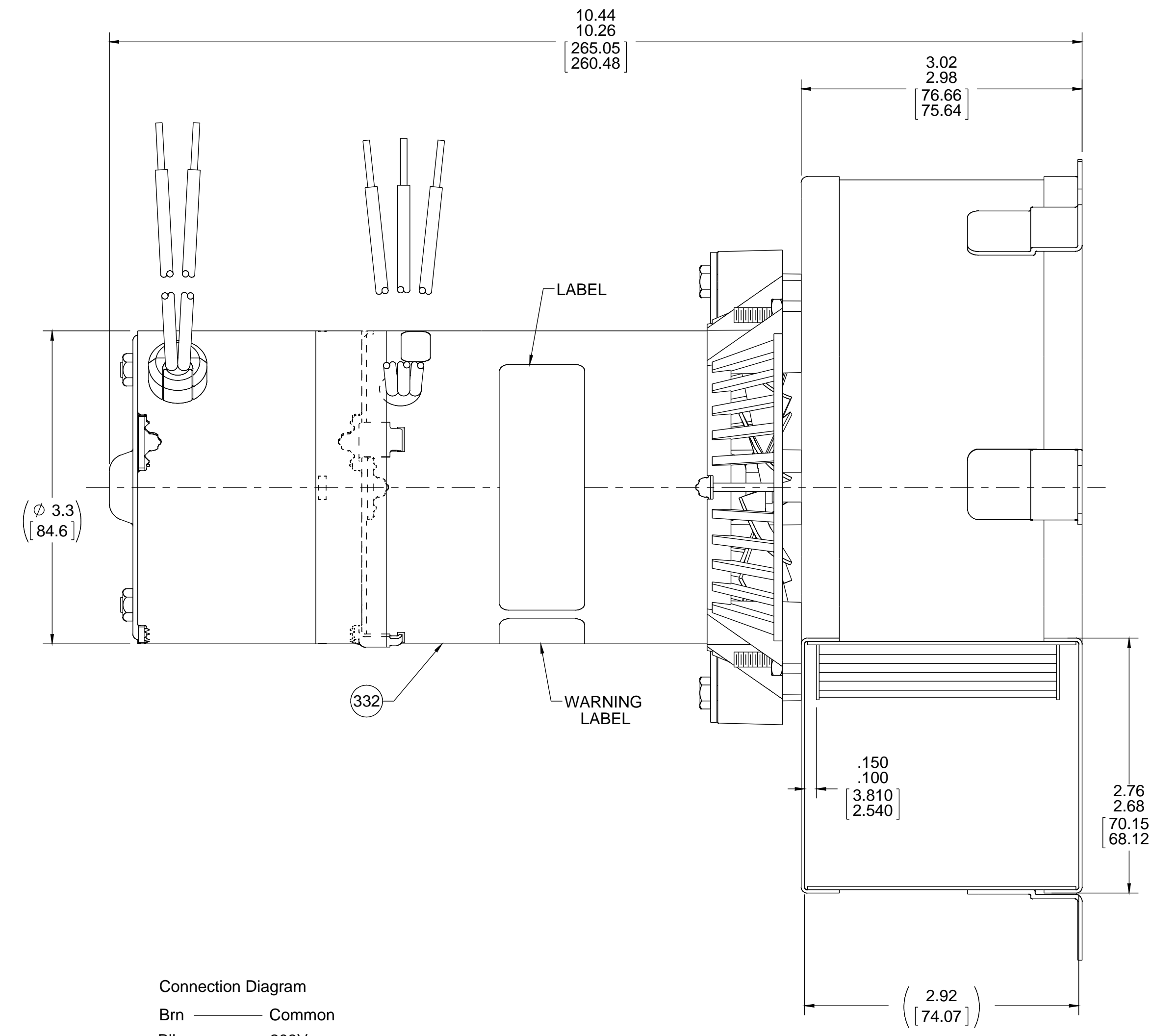
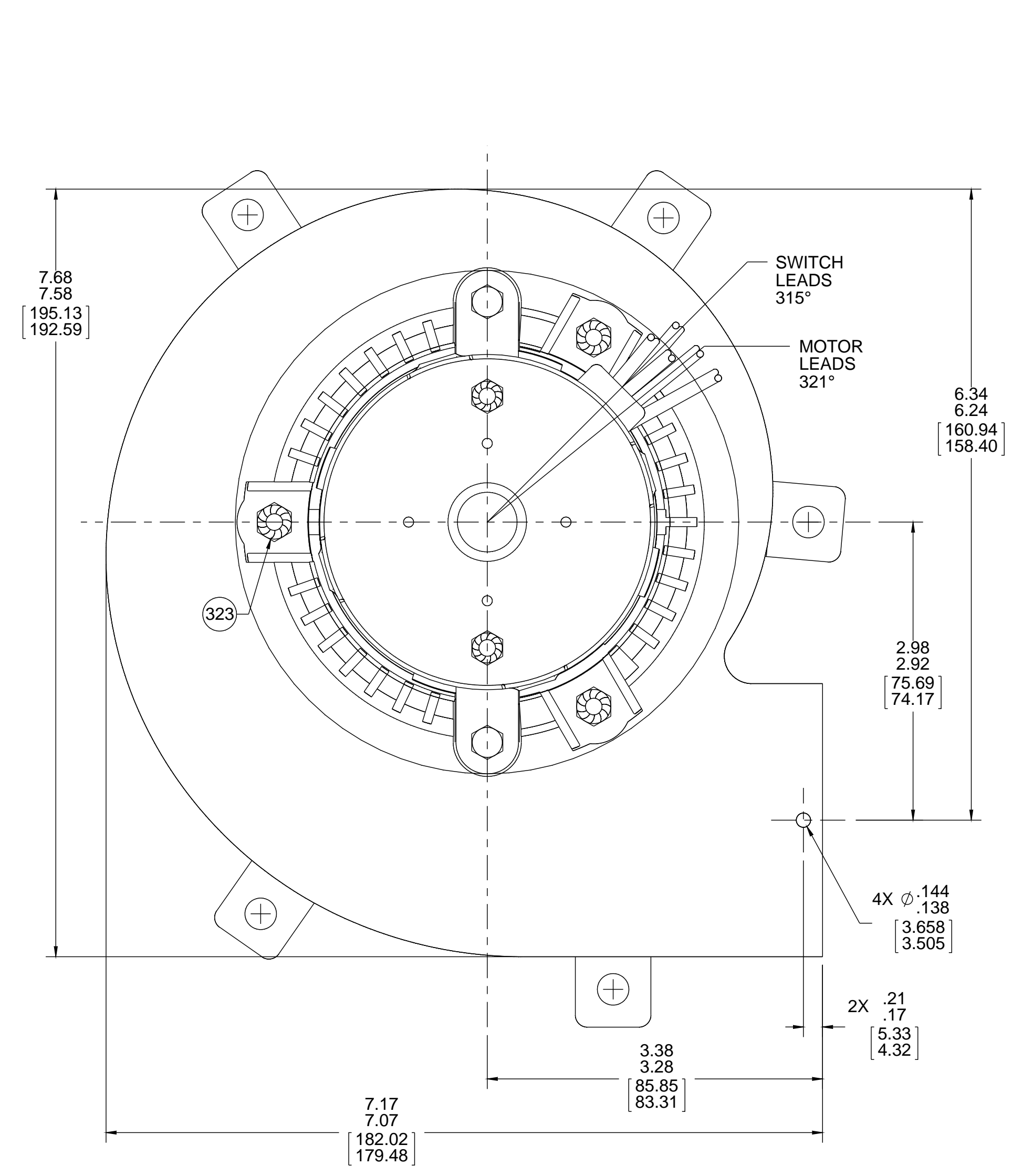
THERMALLY PROTECTED
CLASS "B" INSULATION
416 SS SHAFT
SEALED BALL BEARING

APPLICATION:	DISTRIBUTION	B	LA	FR	A	S	C	E	B	A
CUSTOMER:	FASCO DIST. CO.	12	21	34	V	07	DL	5	0	0
CUSTOMER PN:	A245									

- NOTES:
1. NO STA-LOC REQUIRED ON IMPELLER.
 2. SWITCH MUST 'MAKE' CONTACT BETWEEN 1800-2500 RPM AS SPEED INCREASES AND 'BREAK' 50-500 RPM BELOW ACTUAL MAKE.
 3. SWITCH MECHANISM MUST GIVE QUIET OPERATION ABOVE 2500 RPM.
 4. SHIP (1) PC 377 IN EACH CONTAINER.
 5. INSPECTION TEST FIXTURING IS REQUIRED.
 6. PACK 1 PER CONTAINER, 27 MAX. PER PALLET, PACKING ASSY: 87854925.
 - 9 CONTAINERS PER LAYER, 3 LAYERS PER PALLET, PER 88834200 AND 88834408.
 7. CARTON LABELS MUST ALL FACE ONE DIRECTION TOWARD THE OPEN END OF THE PALLET. SEE 88834408.
 8. NO PACKAGING TAPE OVER CARTON LABEL.

LEAD MATERIAL
18 GA. 125°C 4/64 INSUL.
X-LINKED POLY.
(1) BLACK, (1) BROWN, (1) RED
21.00/19.00 [533.40/482.60]
.56/.44 [14.22/11.18] STRIP

SWITCH LEAD MATERIAL
18 GA. 105°C 4/64 INSUL.
THERMO. (2) ORANGE
23.00/21.00 [584.20/533.40]
.56/.44 [14.22/11.18] STRIP



TYPICAL PERFORMANCE TEST DATA WITH AN 1 5/16" INLET RESTRICTOR

AT 208/230 VOLTS 60 Hz

VOLTS	RPM	WATTS	AMPS
230 V	3434	94.4	.73

BLOWER WEIGHT 7.25 LBS.

ENDPLAY .XX/XX

DRAWING REVISION	REVISION BY	DATE	TOLERANCES UNLESS OTHERWISE SPECIFIED:	DRAWN BY	PLA	REGAL™ Regal Beloit America, Inc.
F	PLA	10/5/2016	DEC. INCH mm ANGLE	PLA		
ECO-0109713	APPROVED BY	DATE	.XX ±0.01 [+0.25]	DATE	10/5/2016	
	KSA	10/5/2016	.XXX ±0.005 [+0.127]	APPROVED BY	KSA	
ECO DESCRIPTION			XXXX ±0.0005 [+0.0127]	DATE	10/5/2016	
UPDATED FROM TESTING IN FREE AIR			REMOVE BURRS & BREAK SHARP EDGES: .003/015 [076/381] X 45°	REFERENCE		
PROPRIETARY AND CONFIDENTIAL INFORMATION - THIS DOCUMENT IS THE PROPERTY OF REGAL BELOIT AMERICA, INC. OWNERS AND CONTAINS OWNERS PROPRIETARY INFORMATION. ANY PERSON, CORPORATION OR OTHER FIRM RECEIVING IT IS DEEMED TO HAVE AGREED TO ACCEPT THAT IT, AND/OR ANY PART OF IT, SHALL NOT BE DISCLOSED TO ANY PERSON, CORPORATION OR OTHER ENTITY, DUPLICATED, AND/OR USED, EXCEPT AS EXPRESSLY APPROVED IN WRITING IN ADVANCE BY OWNER. THIS DOCUMENT SHALL BE RETURNED TO OWNER UPON REQUEST. IT MAY BE SUBJECT TO CERTAIN RESTRICTIONS UNDER APPLICABLE EXPORT CONTROL LAWS AND REGULATIONS.			CORNER FILLETS: R.02 [51]	THIRD ANGLE PROJECTION		
			MACHINED SURFACES: 125/ INCH √ mm 3/2	SIZE	D	
			mm SHOWN IN [BRACKETS]	DRAWING NUMBER	702111710	
				PROCESS/FINISH	FLAT BLACK	
				SHEET	1 OF 1	