

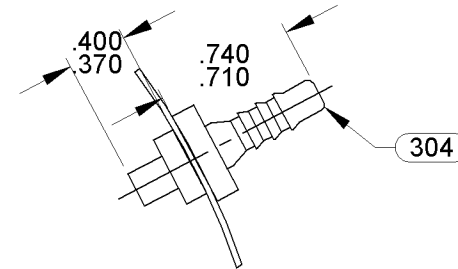
NOTES:

1. STATIC TAP TO BE TIGHT AND SECURELY FASTENED.
2. NO STA-LOC REQUIRED ON IMPELLER.
3. PLACE (1) PC 377 GASKET INSIDE OF EACH CARTON.
4. STATIC TAP READING IS TO BE .94 MINIMUM CORRECTED TO STANDARD AIR (0.075 LB/FT³) WITH A 1 5/16 INLET RESTRICTOR.
5. INSPECTION TEST FIXTURE REQUIRED.
6. PACK 1 PER CONTAINER, 80 MAX. PER PALLET, PACKING ASSY.: 8785-4335, 16 CONTAINERS PER LAYER, 5 LAYERS PER PALLET, P.S. 8883-4200 AND 8883-4408.
7. CARTON LABELS MUST ALL FACE ONE DIRECTION TOWARD THE OPEN END OF THE PALLET. SEE P.S. 8883-4408.
8. NO PACKAGING TAPE OVER CARTON LABEL.

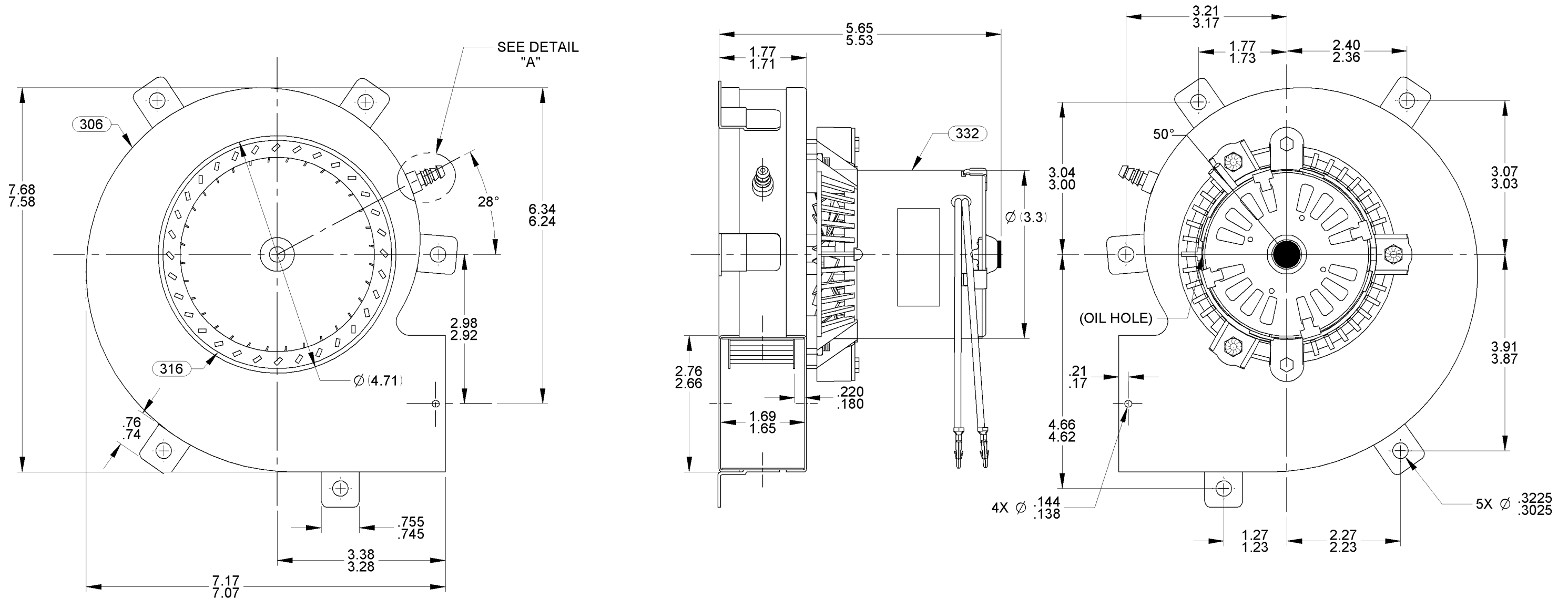
APPLICATION	DISTRIBUTION								
	B	LA	FR	A	S	C	E	B	A
	12	21	33	V	02	EJ	5	3	0
CUSTOMER	FASCO DISTRIBUTING CO.								
CUSTOMER PART NO.	A240								

THERMALLY PROTECTED
CLASS "B" INSULATION
416 S.S. SHAFT

LEAD MATERIAL
18 GA. 125°C 4/64 INSUL.
EPDM. (2) BLACK
43.00/41.00 IN. LONG
(2) 8903-9166 PIN TERMS.
AMP #350538-1



DETAIL "A"



ALL MATERIAL FURNISHED TO THIS DRAWING AND/OR APPLICABLE PURCHASE ORDER FOR THIS PART MUST COMPLY WITH THE LATEST REVISION OF THE EUROPEAN DIRECTIVES RoHS AND REACH.

ECO. NO.	REV.	DATE	APPROVAL
4001308	03	03/03/11	MLM/PLA

AVERAGE PERFORMANCE TEST DATA WITH 1 5/16" INLET RESTRICTOR				
AT	115	VOLTS	60	HZ.
	R.P.M.	WATTS	AMPS	
	3289	69	.94	
BLOWER WEIGHT	4.25 LBS.		END PLAY .030/.010	

UNLESS OTHERWISE SPECIFIED DIMENSIONS ARE IN INCHES TOLERANCES ARE:

FRACTIONS	DECIMALS	ANGLES
± 1/16	XX ± .01	± 1°
	XXX ± .005	

APPROVALS	DATE
DRAWN BGP	09/09/2004
CHECKED JMH	09/09/2004
FINISH COLOR	FLAT BLACK

FASCO FASCO MOTORS GROUP
AC MOTOR/BLOWER DIVISION

CONFIDENTIAL: DO NOT DUPLICATE OR DISCLOSE TO THIRD PARTIES WITHOUT WRITTEN PERMISSION OF FASCO MOTORS GROUP, AC MOTOR/BLOWER DIVISION.

TITLE
BLOWER ASSEMBLY

SIZE	DWG. NO.	REV.
B	7021 11705	03

DO NOT SCALE DRAWING SHEET 1 OF 1

If Printed, this is an Uncontrolled Document.