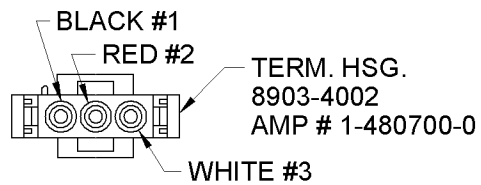
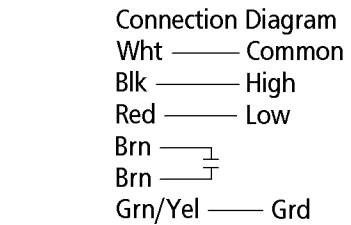
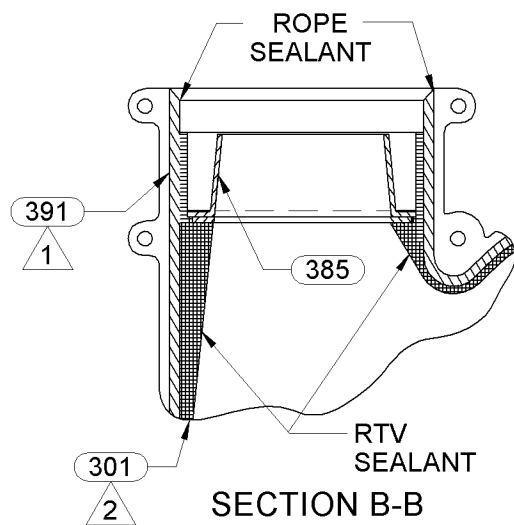
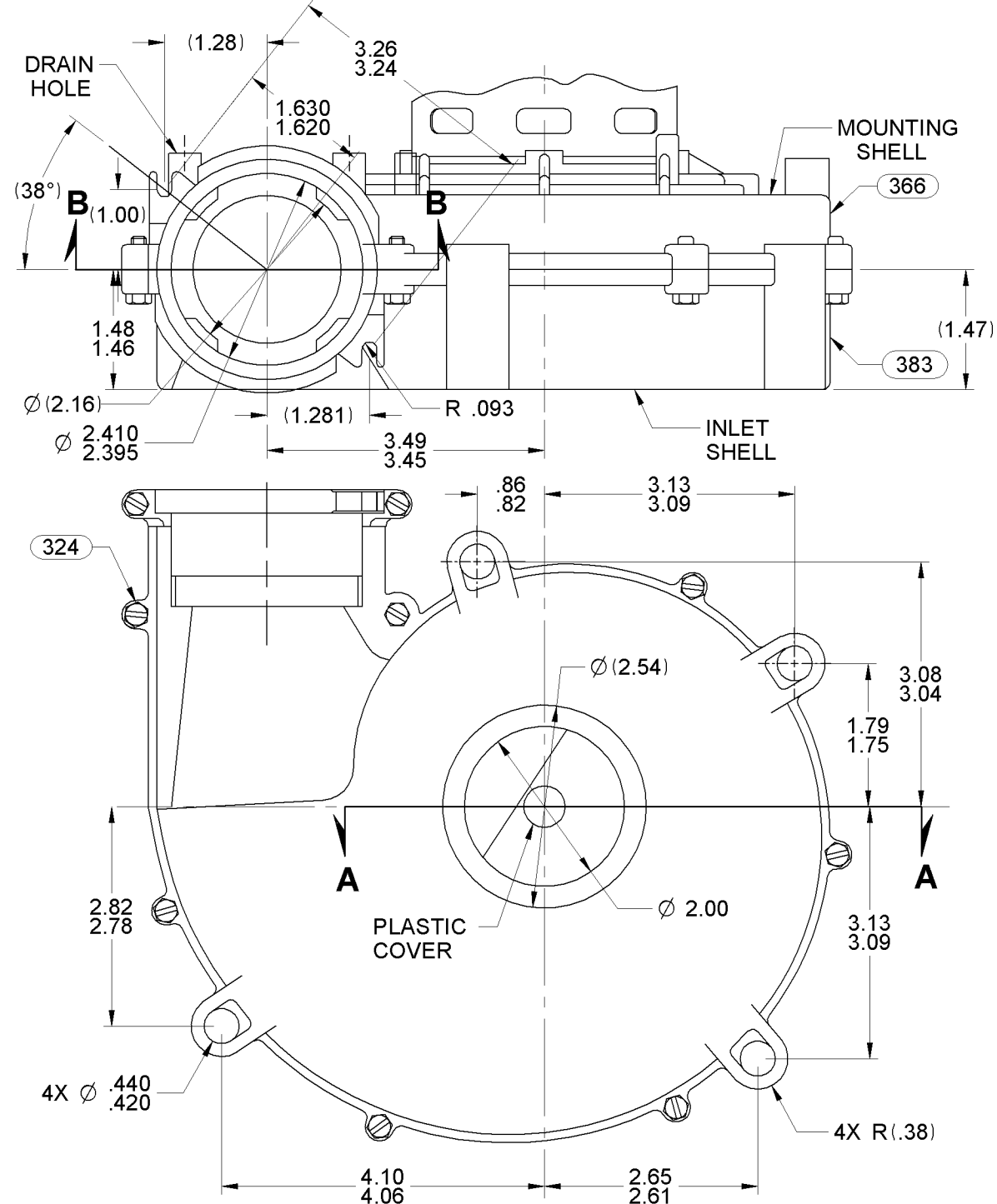


NOTES:

1. LAY PC 391 ROPE SEALANT IN CHANNEL PROVIDED IN MOUNTING SHELL.
2. APPLY PC 301 RTV SEALANT TO SHADED AREA OF MOUNTING SHELL AS SHOWN ON SECTION B-B BEFORE ASSEMBLY OF SCREWS. SEE P.S. 88834415.

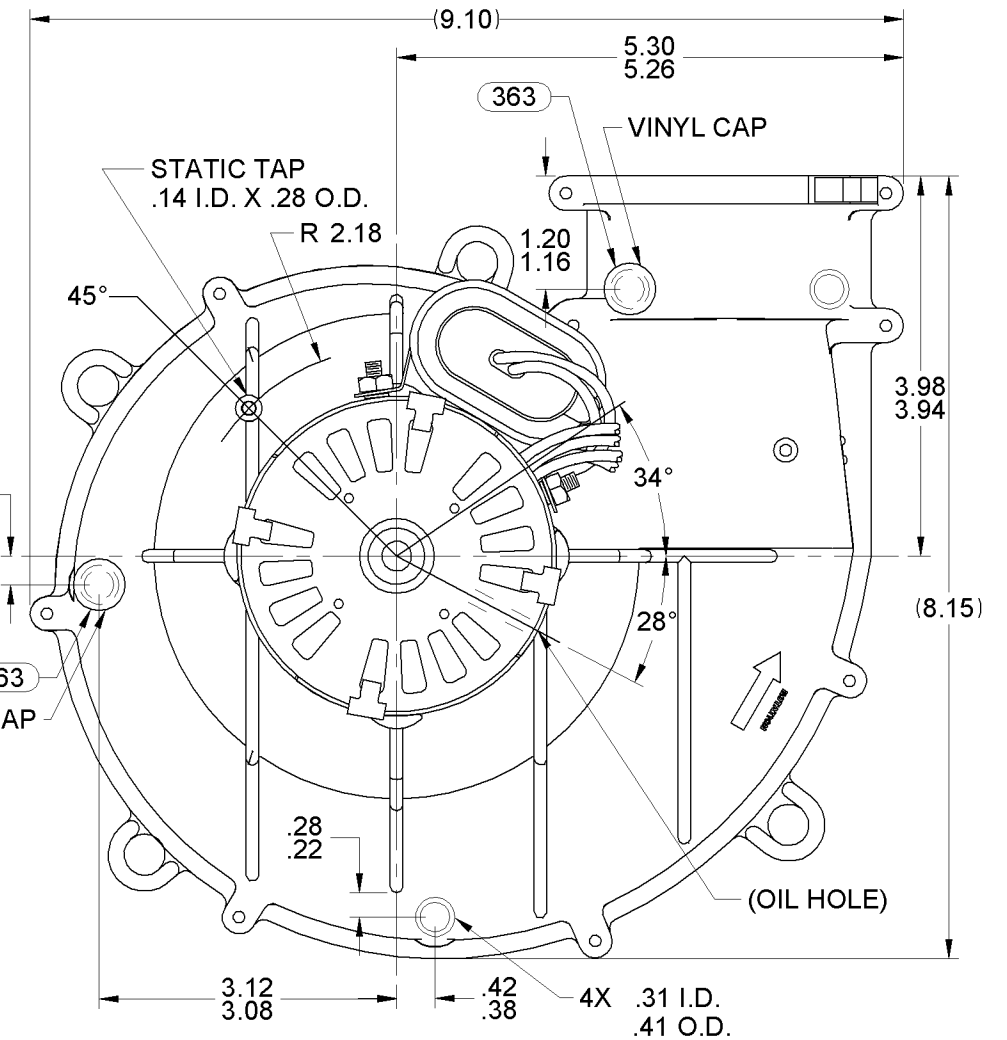
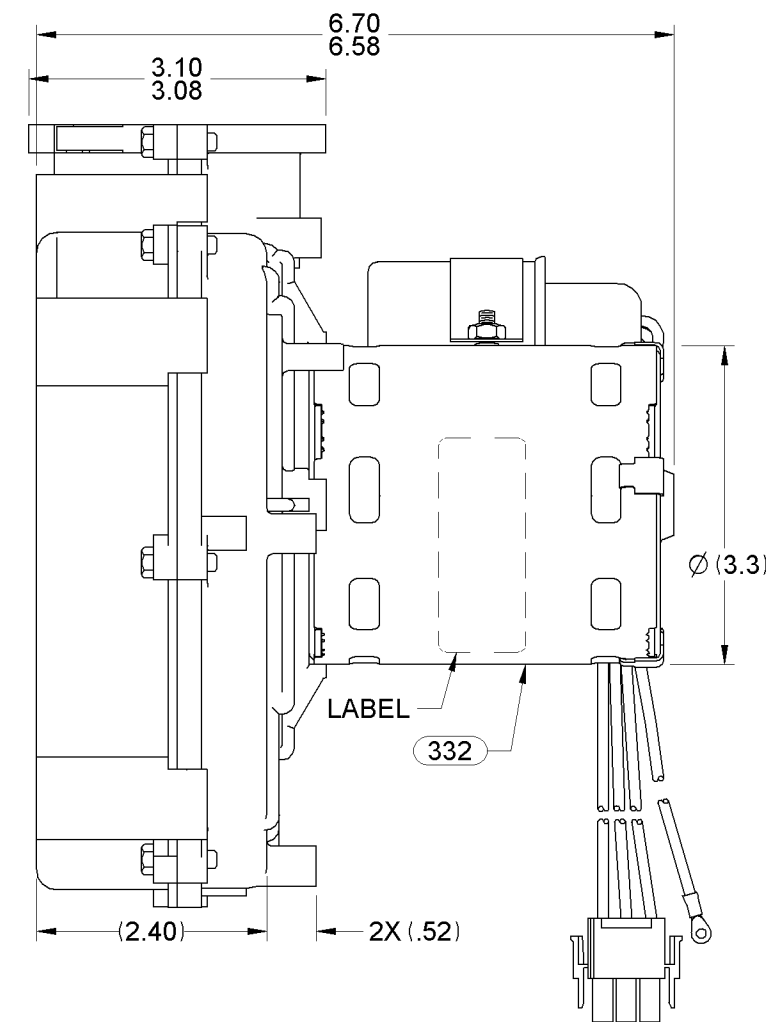


APPLICATION		DISTRIBUTION								
THERMALLY PROTECTED CLASS "B" INSULATION 303 SS SHAFT		B	LA	FR	A	S	C	E	B	A
		PB	62	30	V	05	FB	6	3	C
CUSTOMER		FASCO DIST.								
CUSTOMER PART NO.		A 230								

CAPACITOR LEADS  
18 GA. 125°C, 2/64 INSUL.  
X-LINKED POLY  
(2) BROWN

GROUND LEAD  
18 GA. 125°C, 2/64 INSUL.  
X-LINKED POLY, GRN/YEL  
12.00/10.00 IN. LONG  
WITH TERM. 89029251  
AMP 60700-2

LEAD MATERIAL  
18 GA. 125°C, 2/64 INSUL.  
X-LINKED POLY, (1) WHITE,  
(1) BLACK, (1) RED  
7.00/5.00 IN. LONG  
WITH TERM. 89039085  
AMP 350218-1



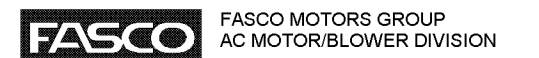
3. ASSEMBLE INLET SHELL TO MOUNTING SHELL ASSEMBLY AND SECURE WITH (7) PC 324 SCREWS. TRIM EXCESS ROPE SEALANT FROM FACE OF BLOWER EXHAUST.
4. NO HOLES ALLOWED TO BE RUBBED THROUGH INLET SHELL.
5. INSPECTION TEST FIXTURE IS REQUIRED.
6. STATIC TAP HOLES TO BE FREE OF FLASH.
7. STATIC TAP READING IS TO BE -2.1 TO -2.4 FOR HIGH SPEED AFTER CORRECTION TO STANDARD AIR WITH A 1 15/16 INLET RESTRICTOR.
8. PACK 1 PER CONTAINER, 36 MAX. PER PALLET, PACKING ASSY. 87854916. 12 CONTAINERS PER LAYER, 3 LAYERS PER PALLET.
9. CARTON LABELS MUST ALL FACE ONE DIRECTION TOWARD THE OPEN END OF THE PALLET. SEE P.S. 88834408.
10. NO PACKING TAPE OVER CARTON LABEL.

TYPICAL PERFORMANCE TEST DATA WITH 1 5/16" INLET RESTRICTOR				CAPACITOR 4 MFD/370 VAC		
AT 115 VOLTS 60 HZ.						
ECO. NO.	REV.	DATE	APPROVAL	R.P.M.	WATTS	AMPS

ECO. NO.	REV.	DATE	APPROVAL	R.P.M.	WATTS	AMPS
C440002	03	08/31/2010	SDM/BGP	HIGH 3451	87.5	.80
4004253	04	1/17/2012	MLM/PLA	LOW 2127	61.5	.59
4007529	05	12/4/2012	MLH/KSA			
4010899	06	12/3/2013	BGP/NJP			

UNLESS OTHERWISE SPECIFIED DIMENSIONS ARE IN INCHES TOLERANCES ARE:  
FRACTIONS ± 1/16 DECIMALS XX ± .01 ANGLES ± 1°  
XXX ± .005

APPROVALS	DATE
DRAWN SRM	08/10/2004
CHECKED ATM	08/10/2004
FINISH COLOR	BLOWER : NATURAL MOTOR : FLAT BLACK



CONFIDENTIAL: DO NOT DUPLICATE OR DISCLOSE TO THIRD PARTIES WITHOUT WRITTEN PERMISSION OF FASCO MOTORS GROUP, AC MOTOR/BLOWER DIVISION.

TITLE			BLOWER ASSEMBLY		
SIZE	DWG. NO.	REV.			
B	7062 5672	06			
DO NOT SCALE DRAWING		SHEET 1 OF 2			