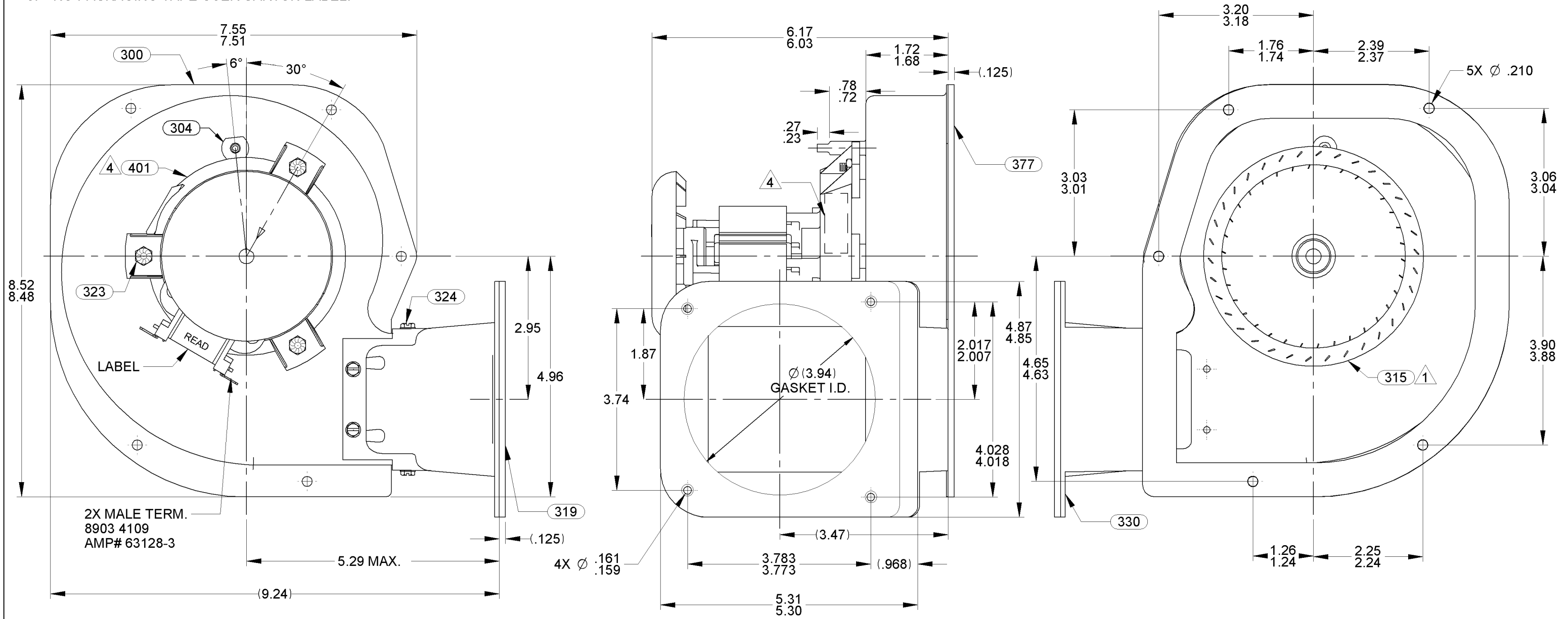


NOTES:

1. LOCATE IMPELLER .18/.13 FROM INSIDE OF HOUSING.
2. STATIC TAP READING IS -1.0 TO -1.27 CORRECTED TO STD AIR (0.075 LB/FT³) WITH A 1 1/8 INLET RESTRICTOR.
3. PC 319 AND PC 377 GASKETS TO BE POSITIONED AS SHOWN AND SECURED IN PLACE WITH PSA.
4. APPLY ROTATION LABEL PC 401 ON THE SIDE OF THE FRONT BEARING STRAP BETWEEN MOUNTING FEET AS SHOWN. LABEL TO READ RIGHT WITH THE MOTOR LABEL
5. INSPECTION TEST FIXTURE REQUIRED.
6. PACK 1 UNIT PER CONTAINER, 12 CONTAINERS PER LAYER, 4 LAYERS PER PALLET, 48 MAX. AMOUNT PER PALLET, PACKING ASSY: 8785 5195. PER P.S. 8883 4200 AND P.S. 8883 4408.
7. CARTON LABELS MUST ALL FACE ONE DIRECTION TOWARD THE OPEND END OF THE PALLET PER P.S. 8883 4408.
8. NO PACKAGING TAPE OVER CARTON LABEL.

APPLICATION									
B	LA	FR	A	S	C	E	B	A	
HS	58	48	X	18	OJ	5	0	0	
THERMALLY PROTECTED CLASS "B" INSULATION SEALED BALL BEARING 416 S.S. SHAFT									
CUSTOMER FASCO DIST.									
CUSTOMER PART NO. A229									



AVERAGE PERFORMANCE TEST DATA WITH A 1 1/8" INLET RESTRICTOR

AT	115	VOLTS	60	HZ.
R.P.M.	3375	WATTS	78	AMPS
				1.5

UNLESS OTHERWISE SPECIFIED DIMENSIONS ARE IN INCHES TOLERANCES ARE:

FRACTIONS	DECIMALS	ANGLES
± 1/16	XX ± .01	± 1°
	XXX ± .005	

FASCO FASCO MOTORS GROUP
AC MOTOR/BLOWER DIVISION

ECO. NO.	REV.	DATE	APPROVAL
4001390	00	03/10/11	KSA/SED
4002274	01	6/7/11	MLM/KSA
4003531	02	10/24/11	MLM/PLA

BLOWER WEIGHT	5 LBS.	END PLAY	.XX/XX
APPROVALS		DATE	
DRAWN KSA		03/10/11	
CHECKED SED		03/10/11	
FINISH COLOR NATURAL			

CONFIDENTIAL: DO NOT DUPLICATE OR DISCLOSE TO THIRD PARTIES WITHOUT WRITTEN PERMISSION OF FASCO MOTORS GROUP, AC MOTOR/BLOWER DIVISION.	
TITLE	
BLOWER ASSEMBLY	
SIZE	DWG. NO.
B	7058 1837
DO NOT SCALE DRAWING	

REV.	02
SHEET 1 OF 1	

If Printed, this is an Uncontrolled Document.