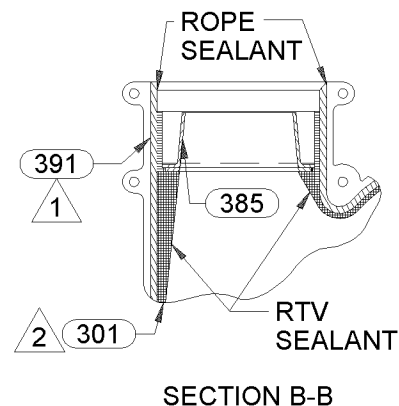


NOTES:

1. LAY PC 391 ROPE SEALANT IN CHANNEL PROVIDED IN MOUNTING SHELL .
2. APPLY PC 301 RTV SEALANT TO SHADED AREA OF MOUNTING SHELL AS SHOWN ON SECTION B-B BEFORE ASSEMBLY OF SCREWS. SEE P.S. 88834415.
3. ASSEMBLE INLET SHELL TO MOUNTING SHELL ASSEMBLY AND SECURE WITH (7) PC 324 SCREWS . TRIM EXCESS ROPE SEALANT FROM FACE OF BLOWER EXHAUST.
4. NO HOLES ALLOWED TO BE RUBBED THROUGH INLET SHELL.
5. INSPECTION TEST FIXTURE IS REQUIRED.
6. STATIC TAP HOLES TO BE FREE OF FLASH.
7. STATIC TAP READING IS TO BE -2.1 TO -2.4 AFTER CORRECTION TO STANDARD AIR WITH A 1 5/16 INLET RESTRICTOR.
8. PACK 1 PER CONTAINER, 36 MAX. PER PALLET, PACK ASSY. 87854916. 12 CONTAINERS PER LAYER, 3 LAYERS PER PALLET. PLACE GASKET PC 319 IN CARTON WITH BLOWER.
9. CARTON LABELS MUST ALL FACE ONE DIRECTION TOWARD THE OPEN END OF THE PALLET. SEE P.S. 88834408.
10. NO PACKAGING TAPE OVER CARTON LABEL.



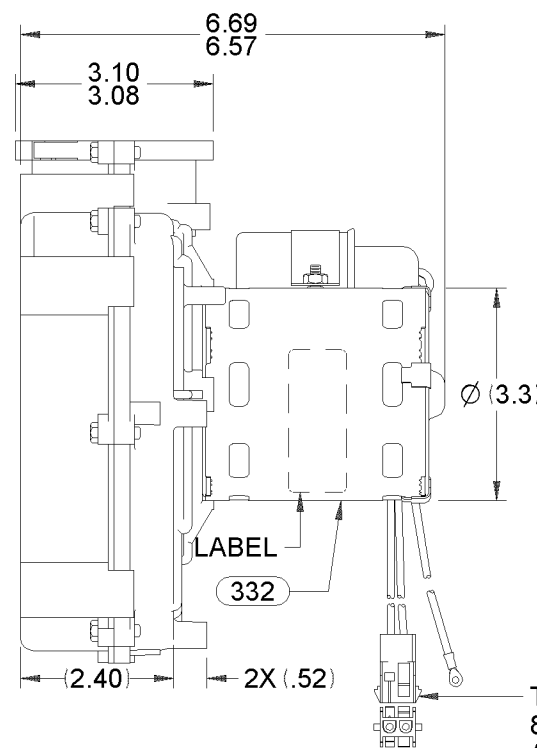
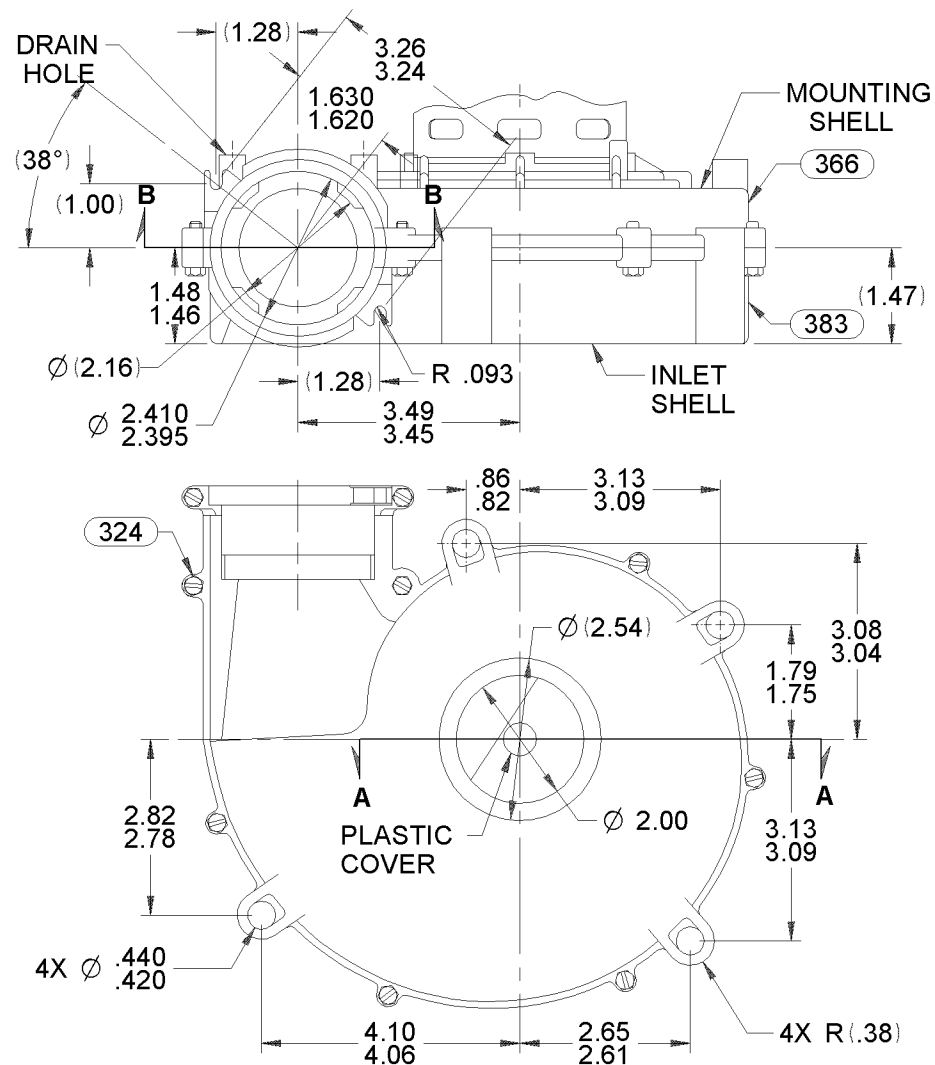
SECTION B-B

APPLICATION	DISTRIBUTION								
THERMALLY PROTECTED CLASS "B" INSULATION	B	LA	FR	A	S	C	E	B	A
303 SS SHAFT	PB	62	30	V	03	CN	5	3	C
CUSTOMER	FASCO DIST.								
CUSTOMER PART NO.	A 227								

LEAD MATERIAL  
 18 GA. 125°C, 4/64 INSUL.  
 EPDM, (2) BLK  
 9.00/7.00 IN. LONG  
 W/ PIN TERM. 89039166  
 AMP 350538-1

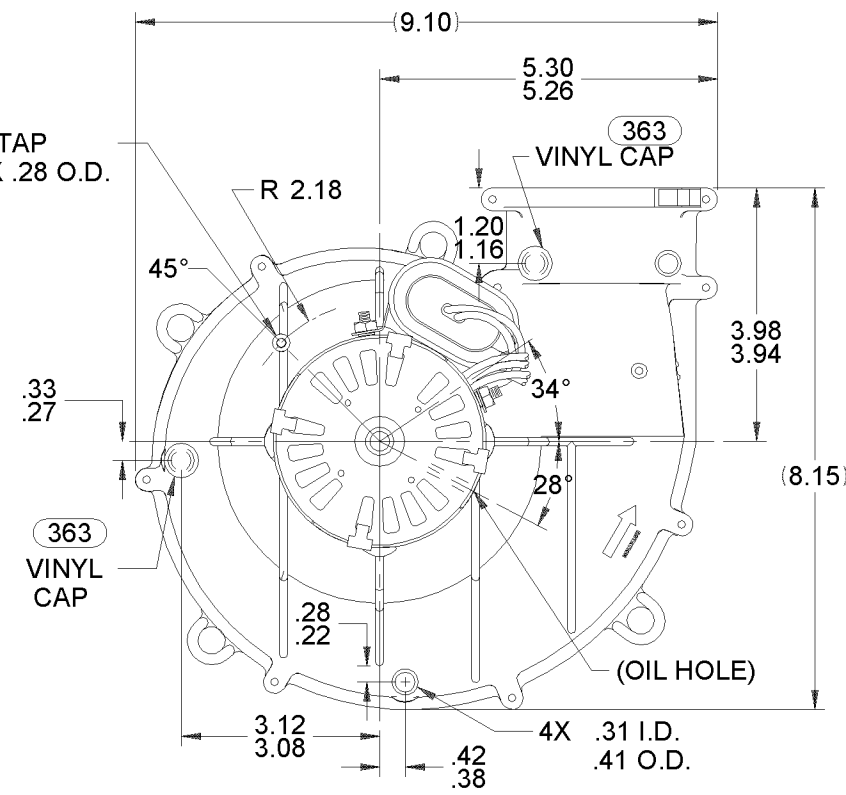
GROUND LEAD  
 18 GA. 125°C, 2/64 INSUL.  
 X-LINKED POLY , GRN/YEL  
 12.00/10.00 IN. LONG  
 W/ RING TERM. 89039251  
 AMP 60700-2

CAPACITOR LEADS  
 18 GA. 125°C, 2/64 INSUL.  
 X-LINKED POLY  
 (2) BRN



TERM. HOUSING  
 89039146  
 AMP 1-480699-0

STATIC TAP  
 .14 I.D. X .28 O.D.



TYPICAL PERFORMANCE TEST DATA WITH 1 5/16" INLET RESTRICTOR	CAPACITOR 4 MFD/370 VAC	
AT 115 VOLTS	60 HZ.	

UNLESS OTHERWISE SPECIFIED DIMENSIONS ARE IN INCHES TOLERANCES ARE:  
 FRACTIONS ± 1/16  
 DECIMALS .XX ± .01  
 .XXX ± .005  
 ANGLES ± 1°

**FASCO** FASCO MOTORS GROUP  
 AC MOTOR/BLOWER DIVISION

CONFIDENTIAL: DO NOT DUPLICATE OR DISCLOSE TO THIRD PARTIES WITHOUT WRITTEN PERMISSION OF FASCO MOTORS GROUP, AC MOTOR/BLOWER DIVISION.

ECO. NO.	REV.	DATE	APPROVAL
4000270	05	11-17-10	SED/SMC
4002611	06	7/11/11	MLM/ KSA
4007523	07	12/4/2012	MLH/MLM
4010584	08	10/16/2013	MLH/KSA

R.P.M.	WATTS	AMPS
3393	79	.72
BLOWER WEIGHT 4.5 LBS.	END PLAY .030 / .010	

APPROVALS	DATE
DRAWN SRM	08/13/2004
CHECKED ATM	08/13/2004
FINISH COLOR	BLOWER : NATURAL MOTOR : FLAT BLACK

TITLE <b>BLOWER ASSEMBLY</b>		
SIZE <b>B</b>	DWG. NO. 7062 5671	REV. 08
DO NOT SCALE DRAWING		SHEET 1 OF 2