

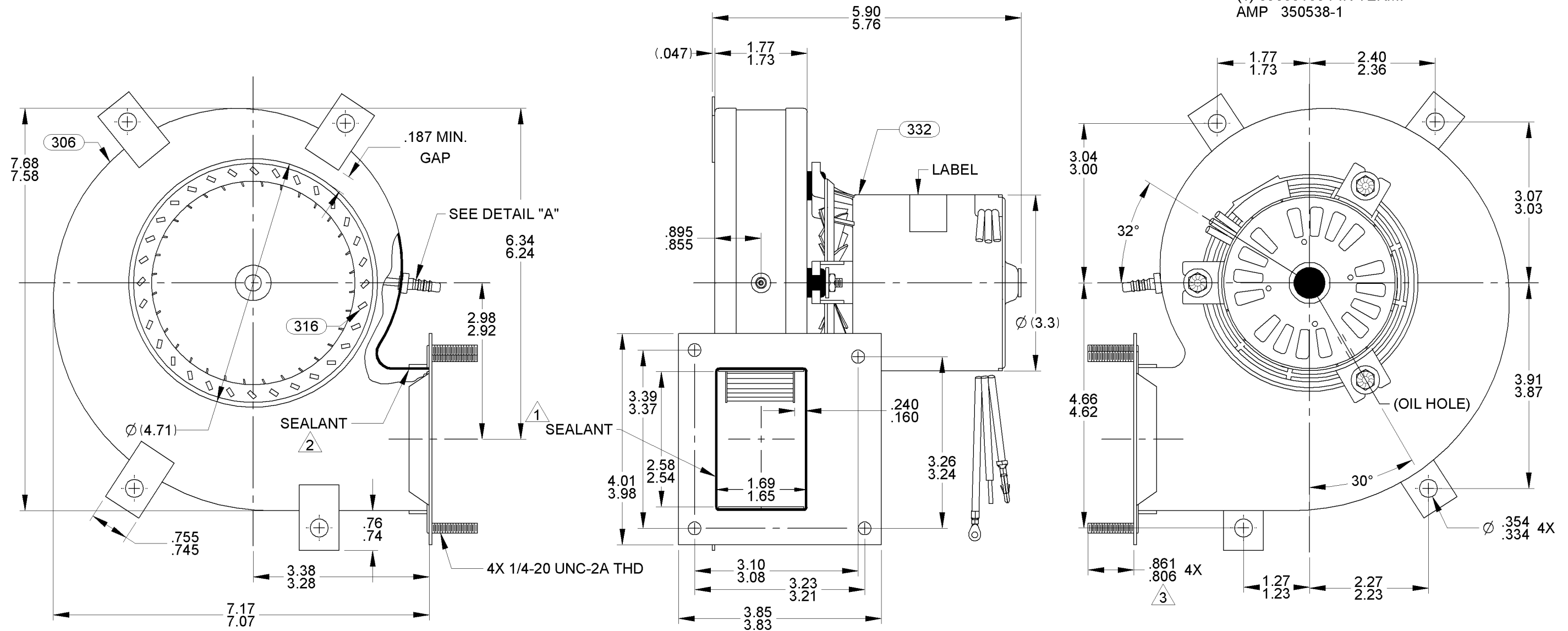
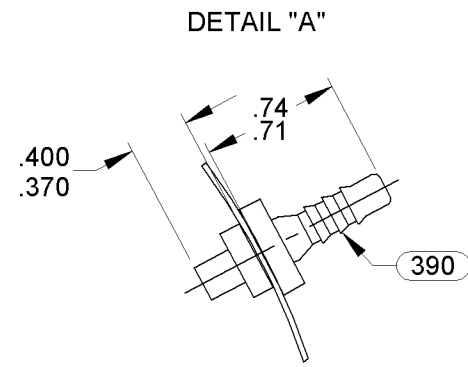
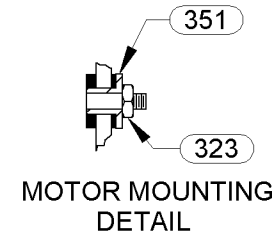
NOTES:

1. SEALANT IS TO BE APPLIED INSIDE OF FLANGE AS SHOWN IN SHADED AREAS BELOW.
2. SEALANT MUST BE APPLIED ON SEAMS & IN CUTOFF AREA AS SHOWN (BOTH SIDES).
3. NO PAINT ALLOWED ON FLANGE WELD STUDS.
4. INSPECTION TEST FIXTURING IS REQUIRED.
5. STATIC TAP READING IS TO BE 1.20 MINIMUM CORRECTED TO STANDARD AIR (0.075 LB/FT³) WITH A 1 5/16 INLET RING.
6. 1 PER CONTAINER, 60 MAX. PER PALLET, PACKING ASSY. 87854298, 12 CONTAINERS PER LAYER, 5 LAYERS PER PALLET, P.S. 88834200 AND P.S. 88834408.
7. STATIC TAP TO BE TIGHT AND SECURELY FASTENED.
8. CARTON LABELS MUST ALL FACE ONE DIRECTION TOWARD THE OPEN END OF THE PALLET. SEE P.S. 88834408.
9. NO PACKAGING TAPE OVER CARTON LABEL.

APPLICATION	DISTRIBUTION	B	LA	FR	A	S	C	E	B	A
THERMALLY PROTECTED CLASS "B" INSULATION SEALED BALL BEARING 303 S.S. SHAFT		12	21	47	V	02	EJ	5	0	0
CUSTOMER		FASCO DIST.								
CUSTOMER PART NO.		A222								

LEAD MATERIAL
 18 GA. 125°C, 4/64 INSUL.
 EPDM, (1) WHITE
 8.00/6.00 IN. LONG
 .56/.44 IN. STRIP
 (1) YELLOW
 8.00/6.00 IN. LONG
 (1) 89039166 PIN TERM.
 AMP 350538-1

GROUND LEAD
 18 GA. 125°C, 2/64 INSUL.
 CROSS-LINKED POLY.
 (1) GREEN/YELLOW
 34.00/32.00 IN. LONG
 (1) 89039251 RING TERM.
 AMP 60700-2



TYPICAL PERFORMANCE TEST DATA WITH 1 5/16 INCH INLET RESTRICTOR

AT	115 VOLTS	60 HZ.	
	R.P.M.	WATTS	AMPS
	3258	64	.91

UNLESS OTHERWISE SPECIFIED DIMENSIONS ARE IN INCHES TOLERANCES ARE:
 FRACTIONS ± 1/16
 DECIMALS XX ± .01
 ANGLES XXX ± .005

FASCO FASCO MOTORS GROUP
 AC MOTOR/BLOWER DIVISION

ECO. NO.	REV.	DATE	APPROVAL
4001305	05	3/3/11	MLM/PLA
4009662	06	7/8/2013	MLS/SDM

APPROVALS	DATE
DRAWN BGP	08-24-2004
CHECKED PLA	08-24-2004
FINISH COLOR FLAT BLACK	

APPROVALS	DATE
DRAWN BGP	08-24-2004
CHECKED PLA	08-24-2004
FINISH COLOR FLAT BLACK	

CONFIDENTIAL: DO NOT DUPLICATE OR DISCLOSE TO THIRD PARTIES WITHOUT WRITTEN PERMISSION OF FASCO MOTORS GROUP, AC MOTOR/BLOWER DIVISION.

TITLE BLOWER ASSEMBLY		
SIZE B	DWG. NO. 7021 11696	REV. 06
DO NOT SCALE DRAWING		SHEET 1 OF 1