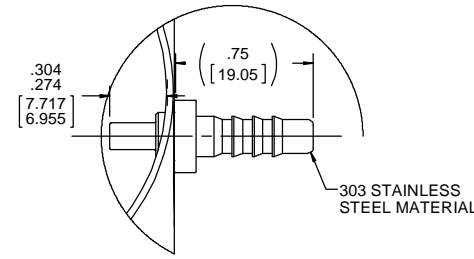


THERMALLY PROTECTED
CLASS "B" INSULATION
416 SS SHAFT

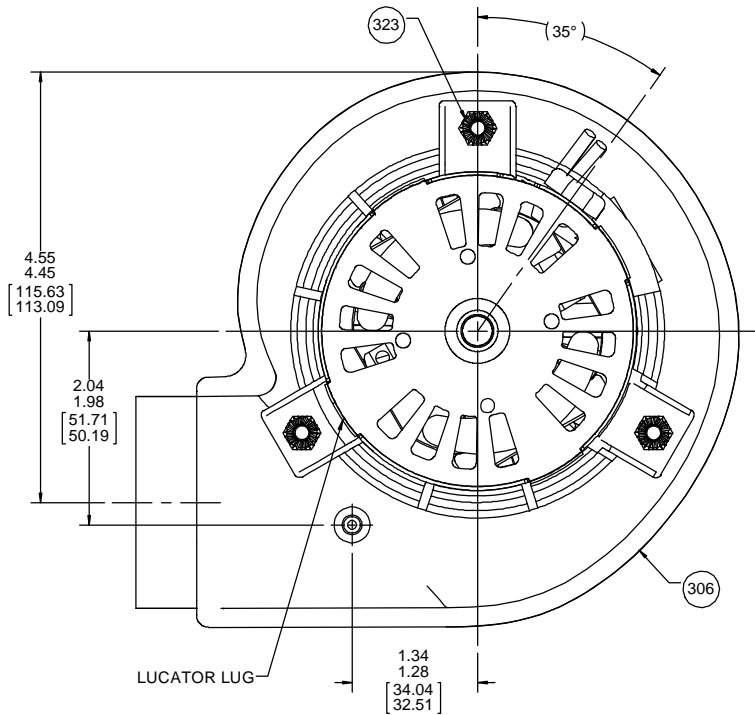
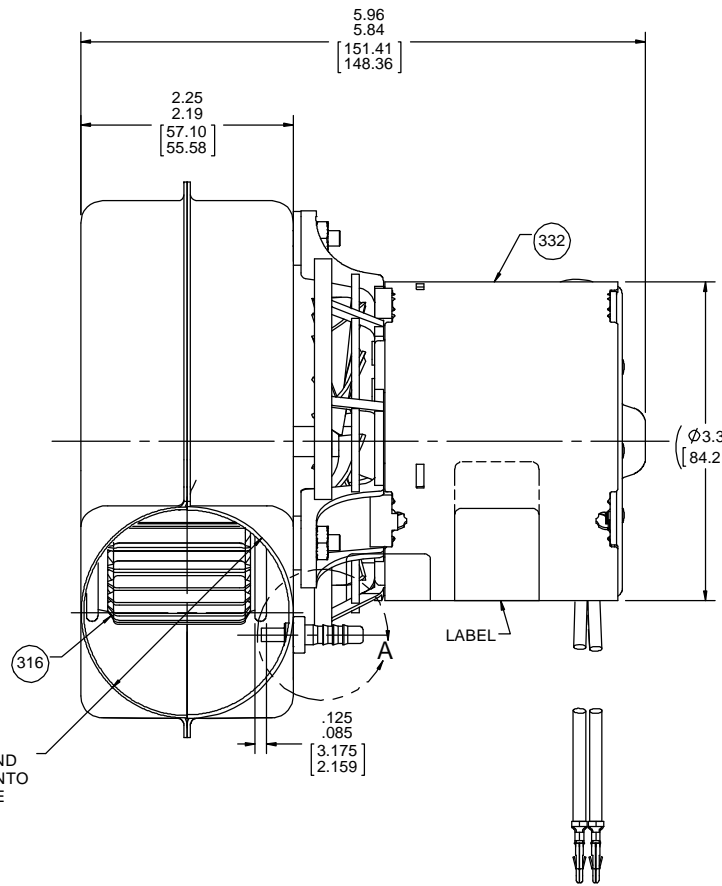
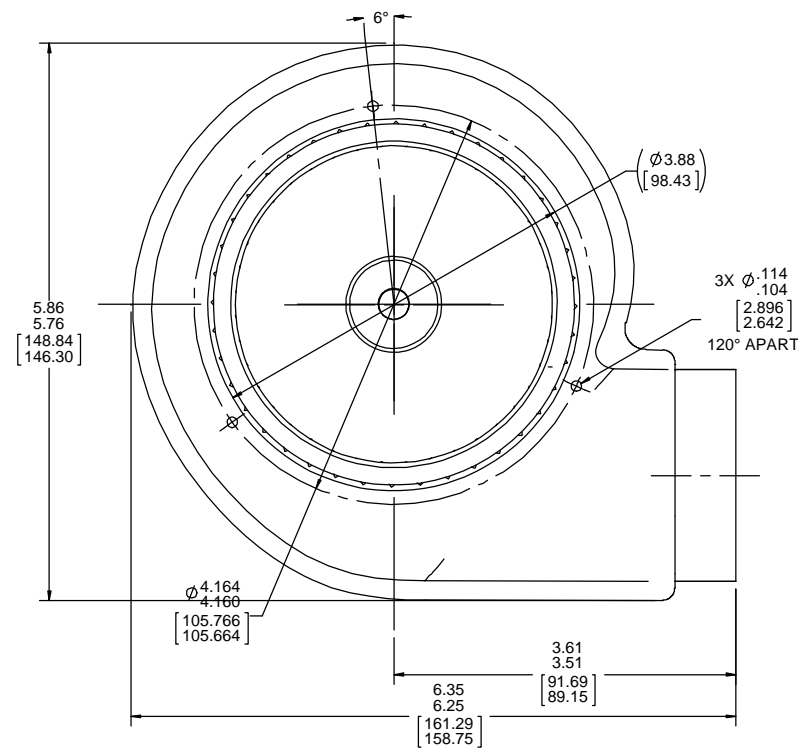
APPLICATION:	UNIT HEATER	B	LA	FR	A	S	C	E	B	A
CUSTOMER:	FASCO DIST.	06	21	47	V	01	OC	5	3	0
CUSTOMER PN:	A219									

LEAD MATERIAL:
18 GA. 125°C 4/64 INSUL.
EPDM, (2) BLACK
38.00/36.00 [965.20/914.40]
W/ PIN TERMS.
AMP 350538-1

- NOTES:
1. WITH 98 VOLTS APPLIED, SHAFT MUST MAKE THREE UNINTERRUPTED REVOLUTIONS.
 2. CHECK 100% OF BLOWERS FOR STATIC TAP READING TO BE -.83 MIN. TO -1.35 MAX. CORRECTED TO STANDARD AIR (0.075 LB/FT³) WITH A 2.06" DIA. INLET RESTRICTOR.
 3. INSPECTION TEST FIXTURING IS REQUIRED.
 4. PACK 1 PER CONTAINER, 150 MAX PER PALLET, 30 CONTAINERS PER LAYER, 5 LAYERS PER PALLET, PACKING ASSY. 87855523 AND PER 88834200.
 5. CARTON LABELS MUST ALL FACE ONE DIRECTION TOWARD THE OPEN END OF THE PALLET. SEE 88834408.
 6. NO PACKING TAPE OVER CARATON LABELS.
 7. BLOWER NATURAL, MOTOR BLACK



DETAIL A



AVERAGE PERFORMANCE TEST DATA WITH 2.06" DIA. INLET RESTRICTOR AT 120 VOLTS 60 Hz			
	RPM	WATTS	AMPS
	3151	62	.73
BLOWER WEIGHT	4.25 LBS.		ENDPLAY .030/.010 [.762/.254]

DRAWING REVISION AA	REVISION BY BAA	DATE 3/9/2018	TOLERANCES UNLESS OTHERWISE SPECIFIED: DEC. INCH mm ANGLE .X ±0.1 [2.5] ±1° .XX ±0.01 [0.25] .XXX ±0.005 [0.127] XXXX ±0.0005 [0.0127]	DRAWN BY BAA	DATE 3/9/2018	APPROVED BY KSA	DATE 3/9/2018	DESCRIPTION OUTLINE
ECO-0139898 ECO DESCRIPTION UPDATE PACKING NOTE. REDRAWN TO SOLID WORKS			REMOVE BURRS & BREAK SHARP EDGES: .003/.015 [0.076/.381] X 45° CORNER FILLETS: R.02 [51] MACHINED SURFACES: 125/ INCR/ m/v mm SHOWN IN [BRACKETS]	APPROVED BY KSA	DATE 3/9/2018	REFERENCE	MATERIAL PROCESS/FINISH NATURAL	REGAL BELLOI AMERICA, Inc.
BLOWER ASSEMBLY			THIRD ANGLE PROJECTION	SIZE D	DRAWING NUMBER 702112096	SHEET 1 OF 1		