

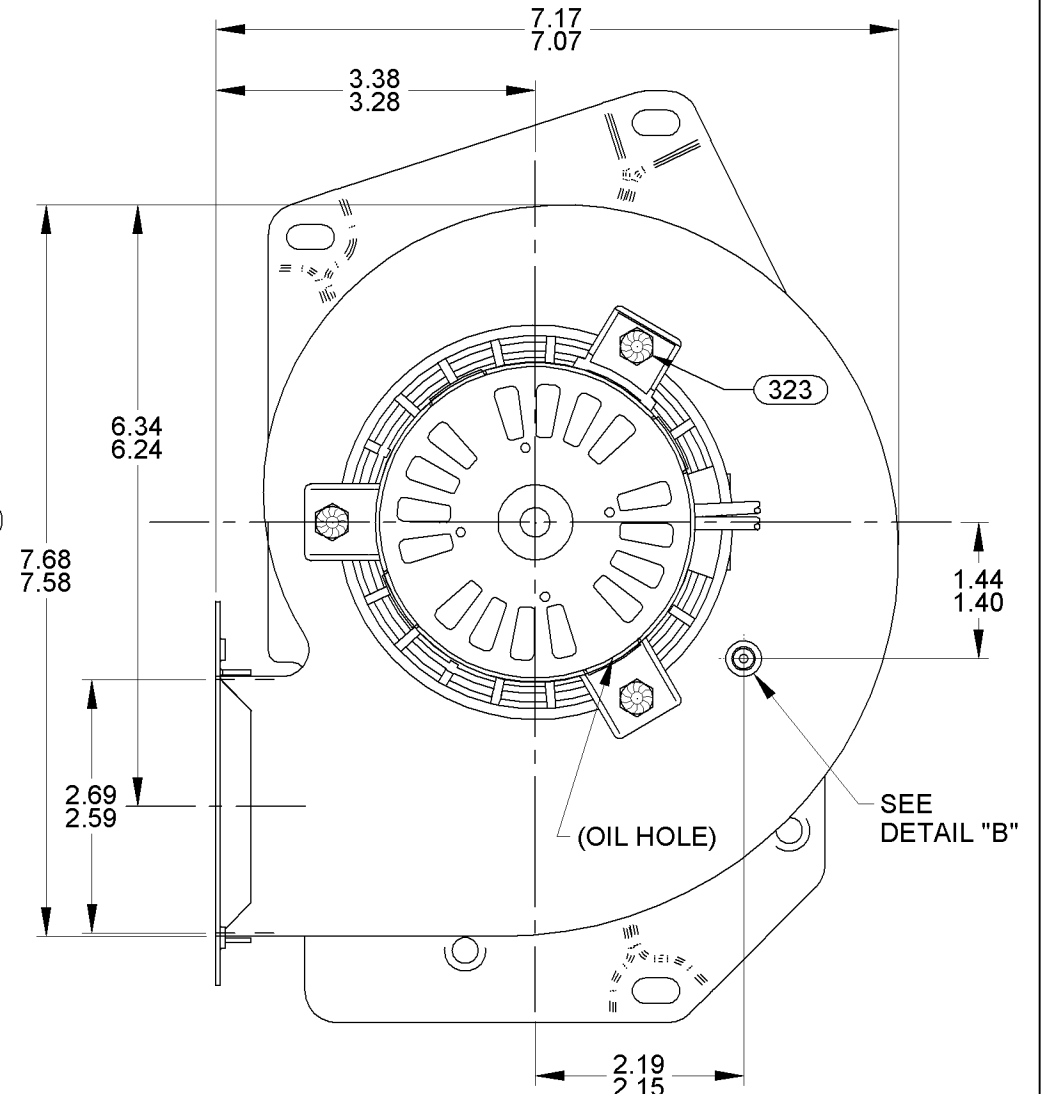
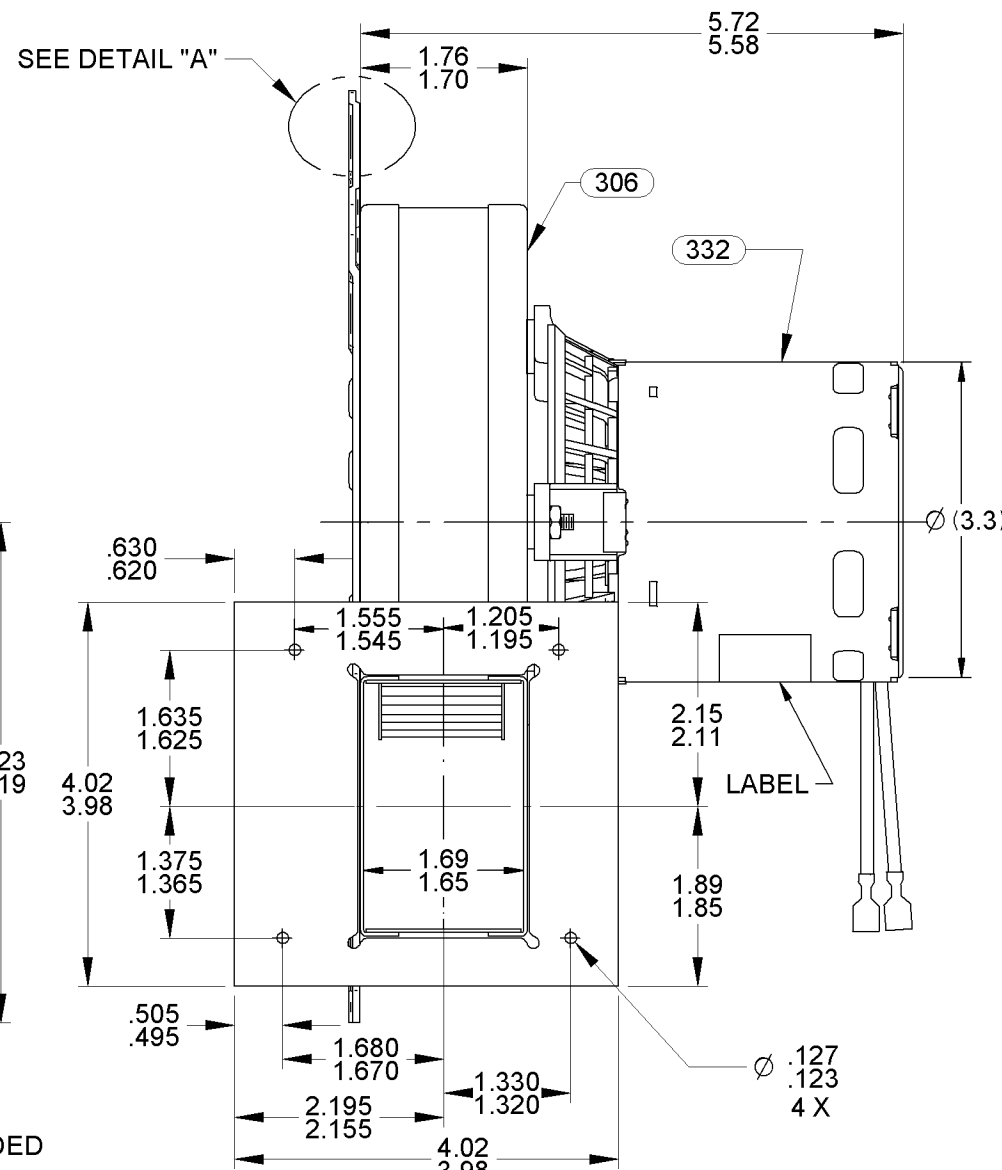
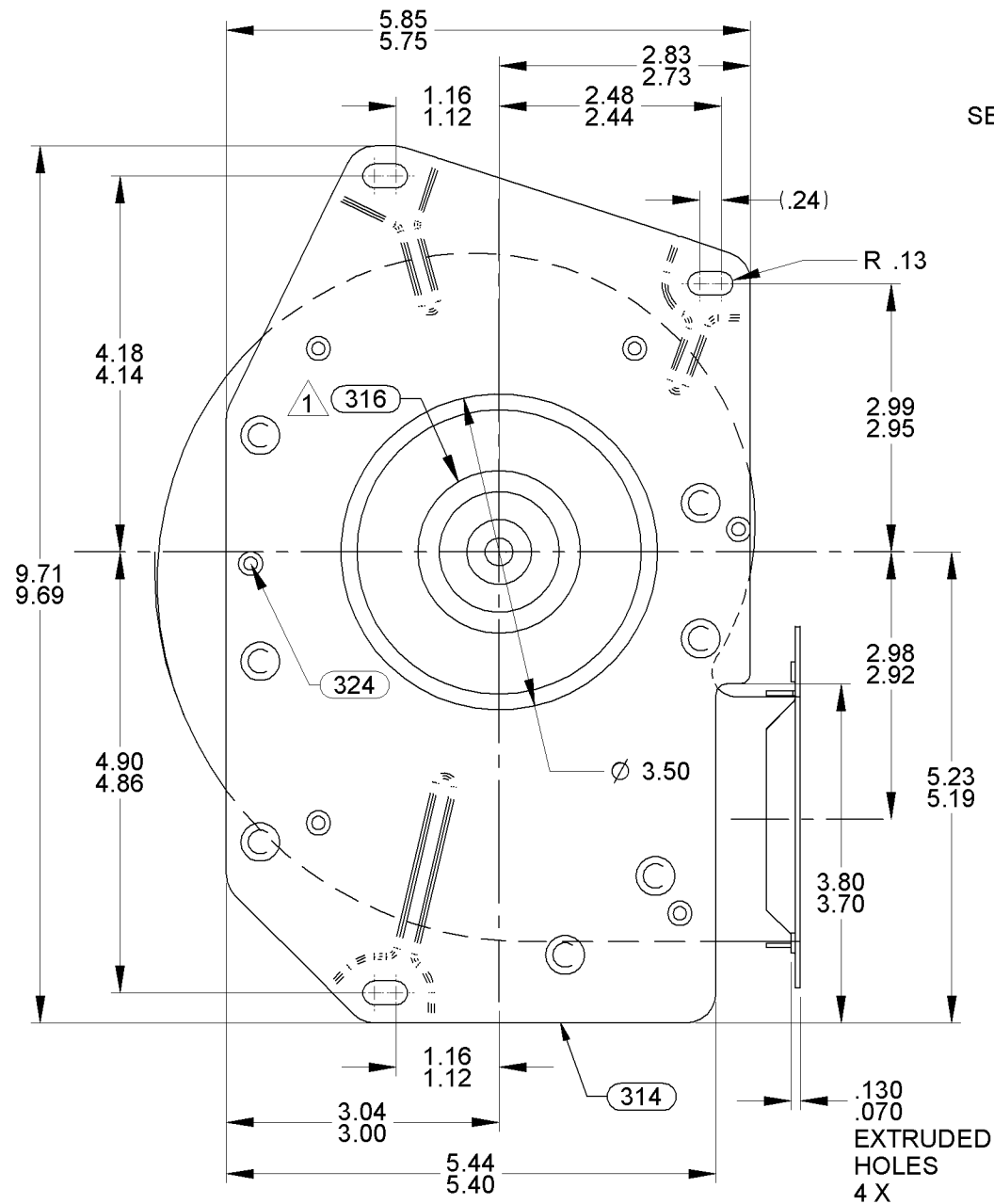
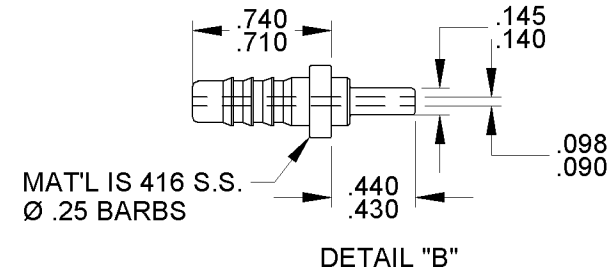
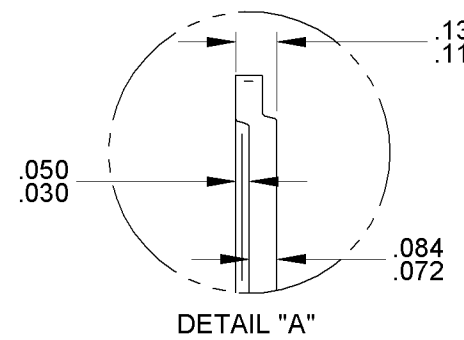
NOTES:

1. IMPELLER MEASURED FROM INSIDE OF HOUSING TO BACKPLATE OF IMPELLER .143/.063.
2. STATIC TAP READING TO BE -2.1 TO -3.0 CORRECTED TO STANDARD AIR (0.075 LB/FT<sup>3</sup>) WITH A 1 5/16" INLET RESTRICTOR.
3. INSPECTION TEST FIXTURING IS REQUIRED.
4. PACK 1 PER CONTAINER, 60 MAX. PER PALLET, PACKING ASSY; 87854298, 12 CONTAINERS PER LAYER, 5 LAYERS PER PALLET. P.S. 88834200, P.S. 88834408.
5. CARTON LABELS MUST ALL FACE ONE DIRECTION TOWARD THE OPEN END OF THE PALLET. SEE P.S. 88834408.
6. NO PACKAGING TAPE OVER CARTON LABEL.

APPLICATION									
B	LA	FR	A	S	C	E	B	A	
12	21	47	V	04	AX	5	0	0	
CUSTOMER					FASCO DIST.				
CUSTOMER PART NO.					A217				

THERMALLY PROTECTED  
CLASS "B" INSULATION  
416 S. S. SHAFT  
SEALED BALL BEARING

LEAD MATERIAL  
18 GA. 125° C 2/64 INSUL.  
X-LINKED POLY  
(1) ORG, (1) BLK  
16.00/14.00 IN. LONG  
FSPADE TERM. 89034011  
AMP. 2-520183-2



AVERAGE PERFORMANCE TEST DATA  
WITH 1 5/16" INLET RESTRICTOR

ECO. NO.	REV.	DATE	APPROVAL
4003871	02	11/30/11	MLM/SED
4009096	03	05/03/2013	MLM/JMC

AT 230 VOLTS 60 HZ.			
R.P.M.	WATTS	AMPS	
3345	87	.62	
BLOWER WEIGHT 5 1/4 LBS.		END PLAY .XX/.XX	

UNLESS OTHERWISE SPECIFIED DIMENSIONS ARE  
IN INCHES TOLERANCES ARE:  
FRACTIONS ± 1/16 DECIMALS XX ± .01 ANGLES ± 1°  
XXX ± .005

APPROVALS	DATE
DRAWN VLL	04/23/07
CHECKED RPT	04/23/07
FINISH COLOR MOTOR - FLAT BLACK HOUSING - NATURAL	

**FASCO** FASCO MOTORS GROUP  
AC MOTOR/BLOWER DIVISION

CONFIDENTIAL: DO NOT DUPLICATE OR DISCLOSE TO THIRD PARTIES WITHOUT WRITTEN PERMISSION OF FASCO MOTORS GROUP, AC MOTOR/BLOWER DIVISION.

TITLE <b>BLOWER ASSEMBLY</b>		
SIZE <b>B</b>	DWG. NO. 7021 12094	REV. 03
DO NOT SCALE DRAWING		SHEET 1 OF 1