

NOTES:

- GROMMET MOUNTING AREAS OF MOUNTING BRACKETS MUST BE IN THE SAME PLANE WITHIN .120 BEFORE GROMMETS ARE ASSEMBLED (6 PLACES).
- BLOWER EXHAUST OF EACH HOUSING MUST BE IN THE SAME PLANE WITHIN .120.
- CARE MUST BE EXERCISED WHEN INSTALLING IMPELLER SO THEY ARE IN PROPER ROTATION.
- PACK 1 PER CONTAINER, 84 MAX. PER PALLET, PACKING ASSY: 8785-4301, 14 CONTAINERS PER LAYER, 6 LAYERS PER PALLET, P.S. 8883-4200, P.S. 8883-4408.
- CARTON LABELS MUST ALL FACE ONE DIRECTION TOWARD THE OPEN END OF THE PALLET. SEE P.S. 8883 4408.
- NO PACKAGING TAPE OVER CARTON LABEL.

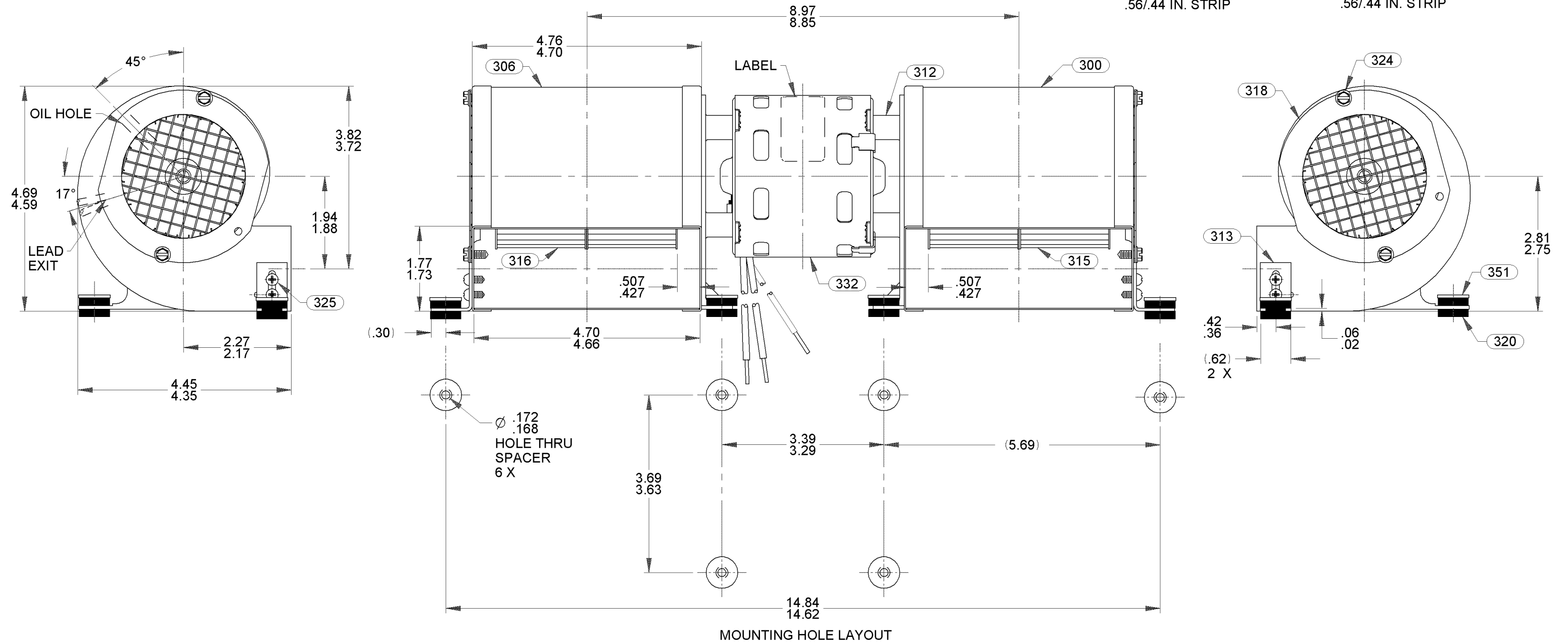
APPLICATION

THERMALLY PROTECTED CLASS "B" INSULATION

B	LA	FR	A	S	C	E	B	A
25	21	30	V	04	DD	5	3	0
CUSTOMER								FASCO DIST.
CUSTOMER PART NO.								A212

GROUND LEAD MATERIAL
18 GA. 125°C 2/64 INS.
X-LINK POLY., GRN/YEL
19.00/17.00 IN. LONG
.56/.44 IN. STRIP

LEAD MATERIAL
18 GA. 125°C 2/64 INS.
X-LINK POLY., BLACK
18.00/16.00 IN. LONG
.56/.44 IN. STRIP



TYPICAL PERFORMANCE TEST DATA IN FREE AIR

ECO. NO.	REV.	DATE	APPROVAL	AT 115 VOLTS 60 HZ.			APPROVALS		DATE
				R.P.M.	WATTS	AMPS	DRAWN	DATE	
4001463	23	03/17/11	MLM/PLA	2700	94	1.13	JMH	07/19/2005	
4003148	24	09/08/11	MLM/PLA				SDM	07/19/2005	
BLOWER WEIGHT				END PLAY		FINISH COLOR			
6 LBS.				.050 / .010		BLACK			

UNLESS OTHERWISE SPECIFIED DIMENSIONS ARE IN INCHES TOLERANCES ARE:
FRACTIONS ± 1/16 DECIMALS XX ± .01 ANGLES ± 1°
XXX ± .005

FASCO FASCO MOTORS GROUP
AC MOTOR/BLOWER DIVISION

CONFIDENTIAL: DO NOT DUPLICATE OR DISCLOSE TO THIRD PARTIES WITHOUT WRITTEN PERMISSION OF FASCO MOTORS GROUP, AC MOTOR/BLOWER DIVISION.

TITLE
BLOWER ASSEMBLY

SIZE **B** DWG. NO. 7021 6381 REV. 24

DO NOT SCALE DRAWING SHEET 1 OF 1