

NOTES:

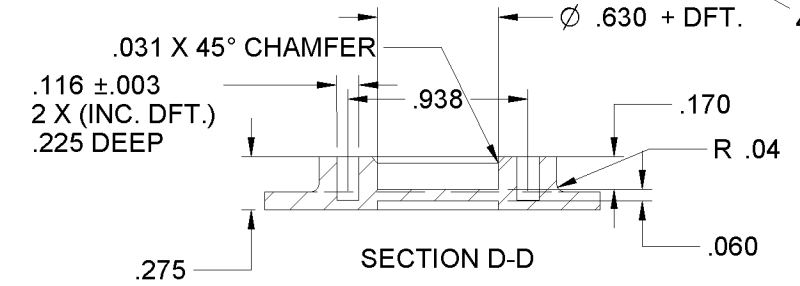
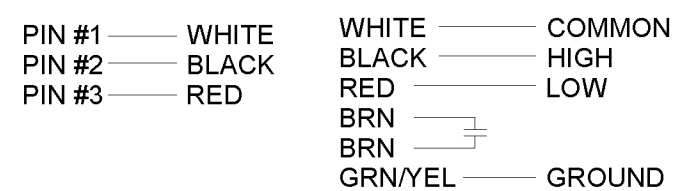
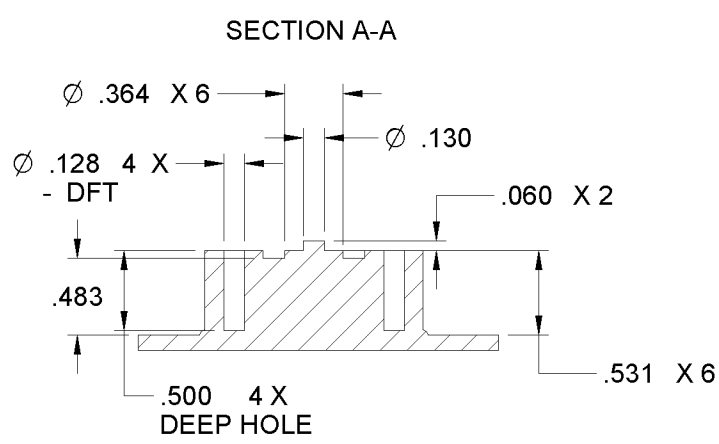
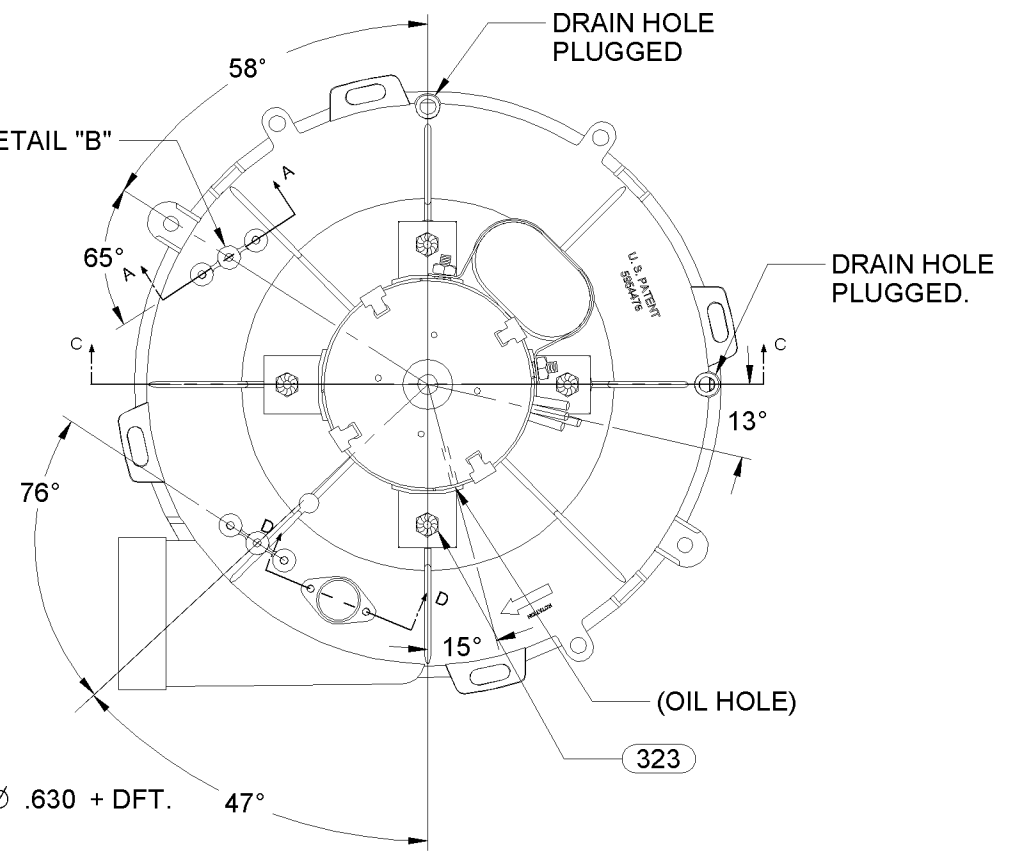
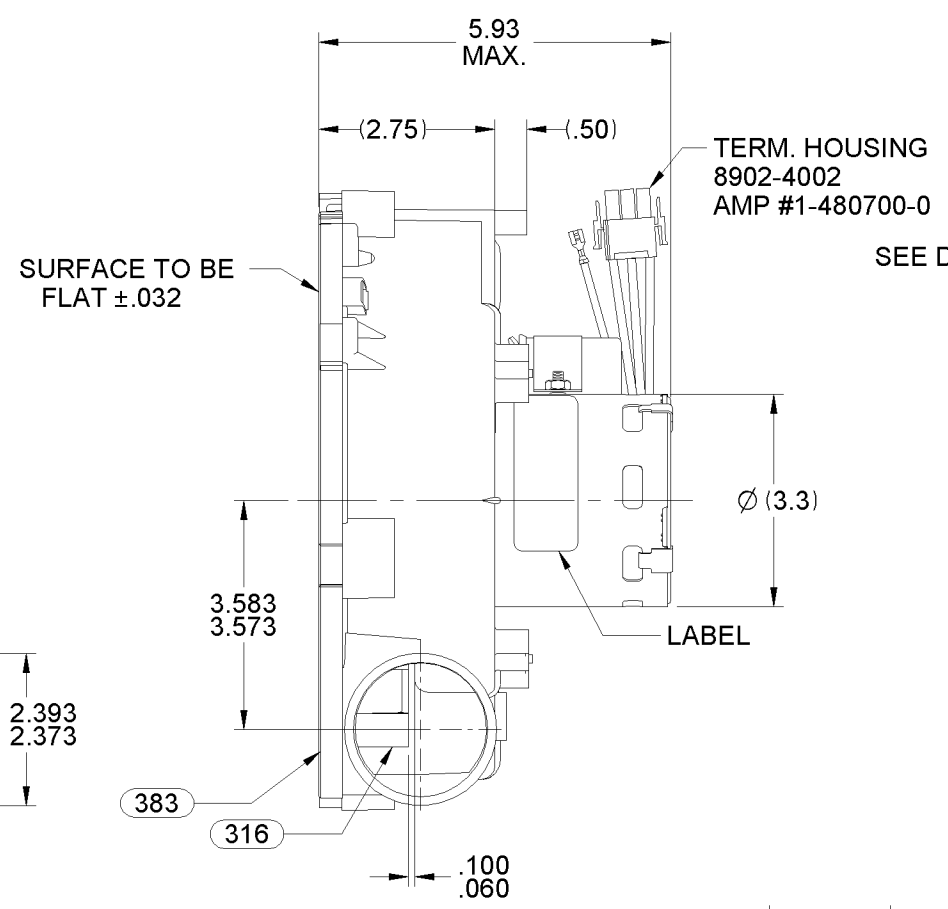
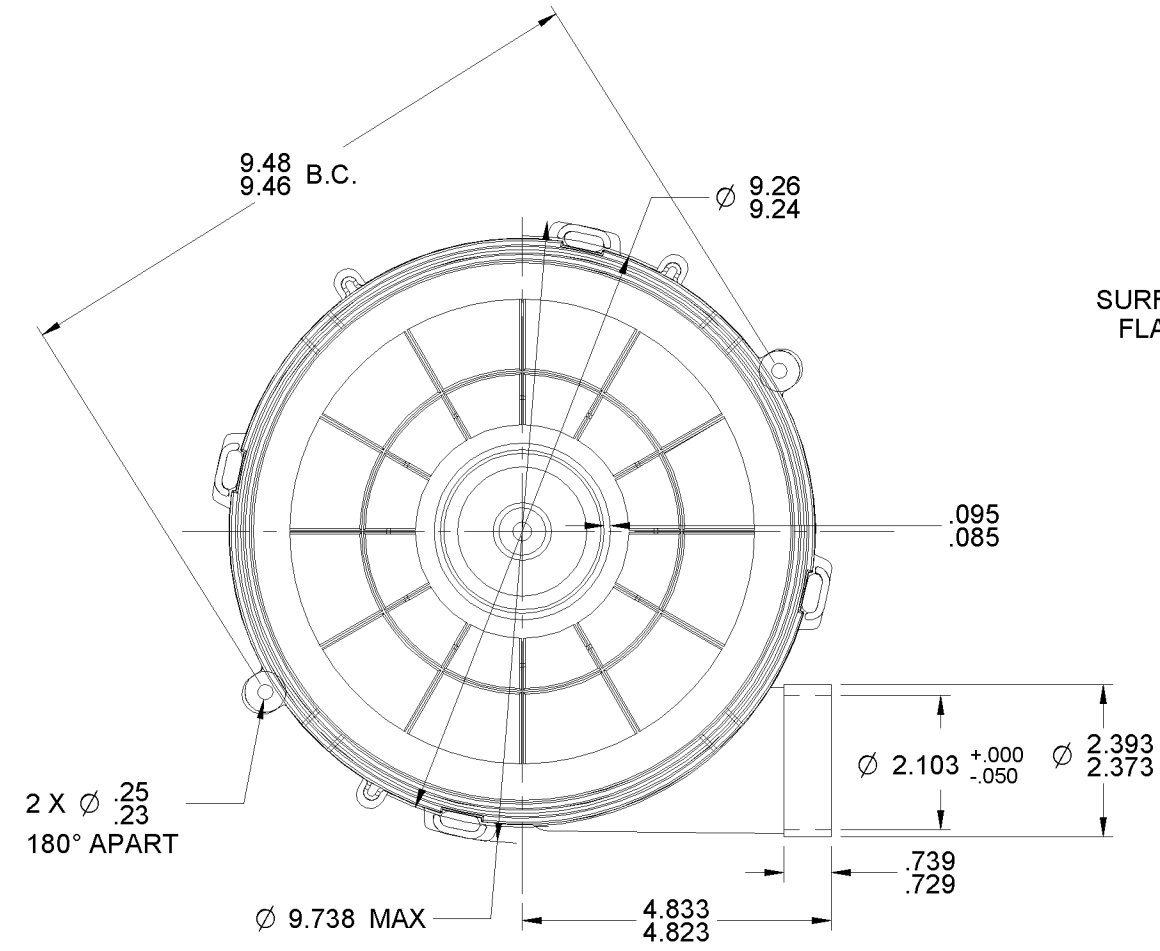
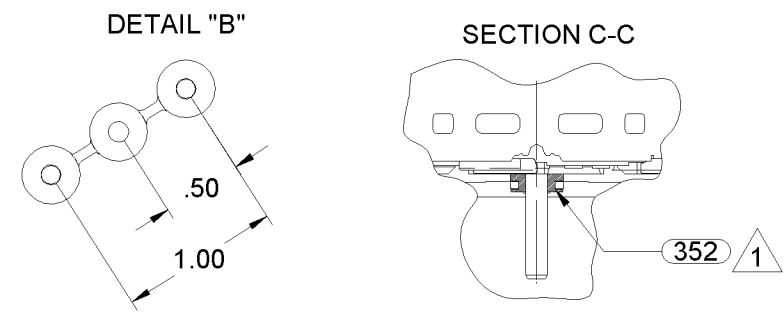
- ASSEMBLE PC 352 SEAL BEFORE MOTOR HAS BEEN ASSEMBLED.
- ALL UNITS TO BE CHECKED 100% FOR VIBRATION.
- CAPACITOR RATING: 7.5 MFD 370 VAC.
- PACK 1 PER CONTAINER, 36 MAX. PER PALLET, PACKING ASSY. 8785 4866, 12 CONTAINERS PER LAYER, 3 LAYERS PER PALLET. P.S. 8883 4200.
- CARTON LABELS MUST ALL FACE ONE DIRECTION TOWARD THE OPEN END OF THE PALLET. SEE P.S. 8883-4408.
- NO PACKAGING TAPE OVER CARTON LABEL.

APPLICATION	B	LA	FR	A	S	C	E	B	A
THERMALLY PROTECTED CLASS "B" INSULATION SEALED BALL BEARING 416 S.S. SHAFT	PS	62	47	V	03	FB	6	0	0
CUSTOMER	FASCO DIST.								
CUSTOMER PART NO.	A209								

LEAD MATERIAL
 18 GA. 125°C, 2/64 INSUL.
 X-LINKED POLY,
 BLACK, WHITE, RED
 8.00/6.00 LONG
 W/SOCKET TERMS.
 8903-9084 AMP #350536-1

GROUND LEAD
 18 GA. 125°C, 2/64 INSUL.
 X-LINKED POLY, GRN/YEL
 33.00/31.00 LONG
 W/FSPADE TERM.
 8902-0033 AMP# 41274

CAPACITOR LEADS
 18 GA. 125°C, 2/64 INSUL.
 X-LINKED POLY, (2) BROWN



TYPICAL PERFORMANCE TEST DATA WITH 1.25 INLET RESTRICTOR

ECO. NO.	REV.	DATE	APPROVAL	AT	115 VOLTS	60 HZ.	R.P.M.	WATTS	AMPS
C439958	04	08/27/2010	SDM/BGP	HIGH				74	.65
4007460	05	11/29/2012	PLA/SDM	LOW				46	.41
				BLOWER WEIGHT			END PLAY		
				5 1/2 LBS.			.XX/XX		

UNLESS OTHERWISE SPECIFIED DIMENSIONS ARE IN INCHES TOLERANCES ARE:
 FRACTIONS ±1/16
 DECIMALS .XX ± .01
 .XXX ± .005
 ANGLES ±1°

FASCO FASCO MOTORS GROUP
 AC MOTOR/BLOWER DIVISION

CONFIDENTIAL: DO NOT DUPLICATE OR DISCLOSE TO THIRD PARTIES WITHOUT WRITTEN PERMISSION OF FASCO MOTORS GROUP, AC MOTOR/BLOWER DIVISION.

TITLE: **BLOWER ASSEMBLY**

SIZE: **B** DWG. NO. 7062 5776 REV. 05

DO NOT SCALE DRAWING SHEET 1 OF 1